

OPPLE

PROFESSIONAL LUMINAIRES CATALOGUE

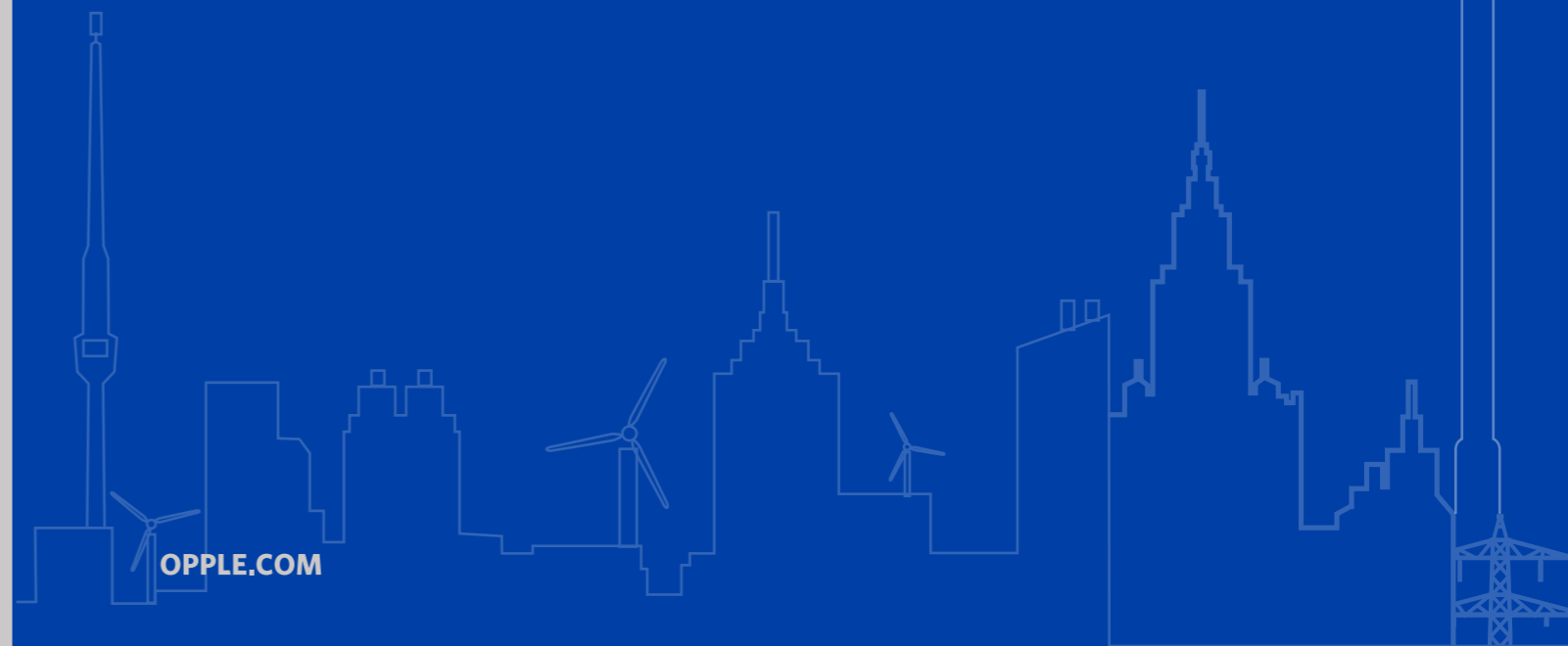
2018

# OPPLE



## PROFESSIONAL LUMINAIRES

CATALOGUE 2018



OPPLE.COM



OPPLE.COM

### OPPLE SHANGHAI OFFICE

Building V3, The MIXC, Lane 1799, Wuzhong Road  
Shanghai, 201103 China

T +86 21 3855 0000  
E GlobalService@OPPLE.com

# CONTENT

## LED DOWNLIGHT

001-032

LED Downlight Performer	LED Slim Downlight Ecomax
LED Downlight HR	LED Slim Downlight Ecomax II SM
LED Downlight HM	LED Downlight Utility
LED Slim Downlight Ecomax III	LED Downlight & Spotlight HS
LED Slim Downlight Ecomax II	

## LED SPOTLIGHT

033-060

LED Spotlight High Performer	LED Spotlight 2W Ecomax
LED Spotlight High Quality Dimmable	LED Spotlight Track Performer
LED Spotlight Grid High Quality	LED Spotlight Track Ecomax
LED Spotlight HJ	LED Spotlight Track Utility
LED Spotlight Grid HJ	

## LED PANEL

061-070

LED Panel Zenith Upgrade	LED Backlit Panel Ecomax
LED Slim Panel EcoMax II	
LED Slim Panel EcoMax Power	

## LED LINEAR INDOOR

071-074

LED Hi-Flux Linear Light  
LED Indoor Wall Washer Superior

## LED INDUSTRIAL LIGHTING

075-096

LED Canopy Performer	LED Waterproof Performer 2
LED Highbay Performer III	LED Waterproof EQ Series
LED Lowbay Ecomax H	LED Waterproof Utility Plus
LED Lowbay EcoMax	LED Bulkhead EcoMax

## LED OUTDOOR LIGHTING

097-110

LED Streetlight Performer	LED Floodlight Ecomax II
LED Streetlight PQ Series	LED Floodlight Ecomax H
LED Streetlight EQ Series	LED Outdoor Wall Washer Performer
LED Floodlight Performer Mini	

# LED PROFESSIONAL LUMINAIRES



# LED PROFESSIONAL LUMINAIRE





# OPPLE PROJECTS

# OPPLE



LED Spotlight Grid High Quality

Ministry of  
Economy  
Abu Dhabi, United Arab Emirates





LED Downlight HM



Mövenpick Hotel  
Jeddah, Saudi Arabia





LED Highbay Performer



Mistico Equestrian  
Center  
Cape Town, South Africa





LED Downlight HM



Nissan Showroom  
Chandigarh, India



# NISSAN







LED Highbay Performer



Mercedes Benz  
Veghel, The Netherlands





LED Slim Panel  
LED Downlight HM



Jac.P.  
Thijssen college  
Castricum, The Netherlands





LED Downlight HR  
LED Spotlight Grid  
LED Waterproof

Lolaar Spuitgieterij  
Helmond, The Netherlands





LED Highbay Performer



# TAB

De Blesse, The Netherlands





LED Spotlight Grid High Quality



Boerema Lederwaren  
Assen, The Netherlands



# OPPLE LED DOWNLIGHT





## LED Downlight Performer

### Features

- Unique optical lens design
- High efficacy
- Excellent thermal management

### Benefits

- Visual comfort and sufficient light make working and studying enjoyable
- Average efficacy 100lm/W more than 60% energy savings from CFL downlight
- Rigid die-cast aluminum heat sink ensures high lifetime of 60000hrs (L70B50)

### Application



### Specification

Item Code	Item Description	Power (W)	Power Factor	Lumen (lm)	Efficacy (lm/W)	Input Current (mA)	Lifetime (L70B50)	MOQ (pcs)
140065510	LEDDownlightRc-P R150-11W-3000-MW GP	11	0.9	1150	105	55	60000	600
140065511	LEDDownlightRc-P R150-11W-4000-MW GP	11	0.9	1200	109	55	60000	600
140065512	LEDDownlightRc-P R150-11W-5700-MW GP	11	0.9	1200	109	55	60000	600
140065513	LEDDownlightRc-P R200-15W-3000-MW GP	15	0.9	1600	107	70	60000	600
140065514	LEDDownlightRc-P R200-15W-4000-MW GP	15	0.9	1660	111	70	60000	600
140065515	LEDDownlightRc-P R200-15W-5700-MW GP	15	0.9	1660	111	70	60000	600
140065516	LEDDownlightRc-P R200-22W-3000-MW GP	22	0.9	2350	107	120	60000	600
140065517	LEDDownlightRc-P R200-22W-4000-MW GP	22	0.9	2400	109	120	60000	600
140065518	LEDDownlightRc-P R200-22W-5700-MW GP	22	0.9	2400	109	120	60000	600
140065519	LEDDownlightRc-P R200-33W-3000-MW GP	33	0.9	3360	102	160	60000	600
140065520	LEDDownlightRc-P R200-33W-4000-MW GP	33	0.9	3500	106	160	60000	600
140065521	LEDDownlightRc-P R200-33W-5700-MW GP	33	0.9	3500	106	160	60000	600
140065522	LEDDownlightRc-P R150-11W-3000-HG GP	11	0.9	1150	105	55	60000	600
140065523	LEDDownlightRc-P R150-11W-4000-HG GP	11	0.9	1200	109	55	60000	600
140065524	LEDDownlightRc-P R150-11W-5700-HG GP	11	0.9	1200	109	55	60000	600
140065525	LEDDownlightRc-P R200-15W-3000-HG GP	15	0.9	1600	107	70	60000	600
140065526	LEDDownlightRc-P R200-15W-4000-HG GP	15	0.9	1660	111	70	60000	600
140065527	LEDDownlightRc-P R200-15W-5700-HG GP	15	0.9	1660	111	70	60000	600
140065528	LEDDownlightRc-P R200-22W-3000-HG GP	22	0.9	2350	107	120	60000	600
140065529	LEDDownlightRc-P R200-22W-4000-HG GP	22	0.9	2400	109	120	60000	600
140065530	LEDDownlightRc-P R200-22W-5700-HG GP	22	0.9	2400	109	120	60000	600
140065531	LEDDownlightRc-P R200-33W-3000-HG GP	33	0.9	3360	102	160	60000	600

### Specification

Item Code	Item Description	Power (W)	Power Factor	Lumen (lm)	Efficacy (lm/W)	Input Current (mA)	Lifetime (L70B50)	MOQ (pcs)
140065532	LEDDownlightRc-P R200-33W-4000-HG GP	33	0.9	3500	106	160	60000	600
140065533	LEDDownlightRc-P R200-33W-5700-HG GP	33	0.9	3500	106	160	60000	600
140065534	LEDDownlightRc-P R150-11W-3000-DA MW GP	11	0.9	1150	105	55	60000	600
140065535	LEDDownlightRc-P R150-11W-4000-DA MW GP	11	0.9	1200	109	55	60000	600
140065536	LEDDownlightRc-P R150-11W-5700-DA MW GP	11	0.9	1200	109	55	60000	600
140065537	LEDDownlightRc-P R200-15W-3000-DA MW GP	15	0.9	1600	107	70	60000	600
140065538	LEDDownlightRc-P R200-15W-4000-DA MW GP	15	0.9	1660	111	70	60000	600
140065539	LEDDownlightRc-P R200-15W-5700-DA MW GP	15	0.9	1660	111	70	60000	600
140065540	LEDDownlightRc-P R200-22W-3000-DA MW GP	22	0.9	2350	107	120	60000	600
140065541	LEDDownlightRc-P R200-22W-4000-DA MW GP	22	0.9	2400	109	120	60000	600
140065542	LEDDownlightRc-P R200-22W-5700-DA MW GP	22	0.9	2400	109	120	60000	600
140065543	LEDDownlightRc-P R200-33W-3000-DA MW GP	33	0.9	3360	102	160	60000	600
140065544	LEDDownlightRc-P R200-33W-4000-DA MW GP	33	0.9	3500	106	160	60000	600
140065545	LEDDownlightRc-P R200-33W-5700-DA MW GP	33	0.9	3500	106	160	60000	600
140065546	LEDDownlightRc-P R150-11W-3000-DA HG GP	11	0.9	1150	105	55	60000	600
140065547	LEDDownlightRc-P R150-11W-4000-DA HG GP	11	0.9	1200	109	55	60000	600
140065548	LEDDownlightRc-P R150-11W-5700-DA HG GP	11	0.9	1200	109	55	60000	600
140065549	LEDDownlightRc-P R200-15W-3000-DA HG GP	15	0.9	1600	107	70	60000	600
140065550	LEDDownlightRc-P R200-15W-4000-DA HG GP	15	0.9	1660	111	70	60000	600
140065551	LEDDownlightRc-P R200-15W-5700-DA HG GP	15	0.9	1660	111	70	60000	600
140065552	LEDDownlightRc-P R200-22W-3000-DA HG GP	22	0.9	2350	107	120	60000	600
140065553	LEDDownlightRc-P R200-22W-4000-DA HG GP	22	0.9	2400	109	120	60000	600
140065554	LEDDownlightRc-P R200-22W-5700-DA HG GP	22	0.9	2400	109	120	60000	600
140065555	LEDDownlightRc-P R200-33W-3000-DA HG GP	33	0.9	3360	102	160	60000	600
140065556	LEDDownlightRc-P R200-33W-4000-DA HG GP	33	0.9	3500	106	160	60000	600
140065557	LEDDownlightRc-P R200-33W-5700-DA HG GP	33	0.9	3500	106	160	60000	600

#### Technical Specifications

CRI	80
Colour Consistency (SDCM)	≤5
Dimmable	Yes
Housing Colour	White
IP	IP20, IP44 for exposed part
IK	IK02
Driver integrated (Yes/No)	No
Glow wire test	650°C
Driver failure rate	1% at 5000h
Weight (pc/kg)	0.45/0.76/0.76/0.76

#### Electrical Supply

Frequency (Hz)	50/60
Voltage (V)	220-240V
AC/DC	AC

#### Mechanical Properties

Housing Material	PC+Aluminum
Optical Material	PC/PMMA

#### Application Conditions

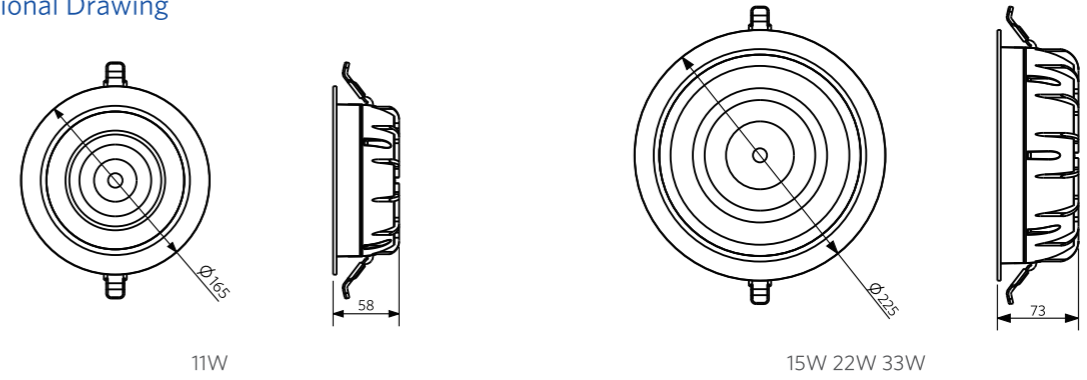
Operating Temperature	-15-45°C
Application Temperature	25°C
Storage Environment	-25-50°C



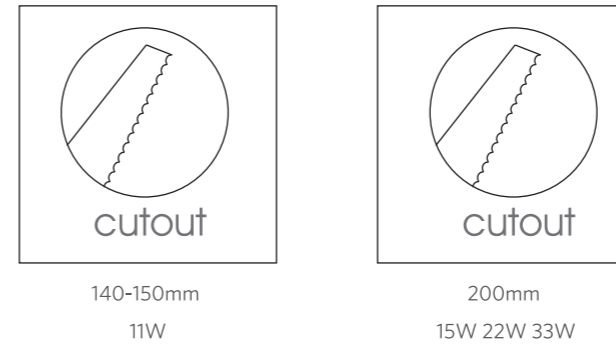
## Packaging Information

Item		Single Box(1pc/box)		Outer box		
Item Code	Item Description	Dimensions(mm) (LxWxH)	Gross Weight (kg)	Dimensions(mm) (LxWxH)	Gross Weight (kg)	Packing Qty (pcs/CTN)
140065510	LEDDownlightRc-P R150-11W-3000-MW GP	200*200*103	0.59	415*410*330	7.08	12
140065511	LEDDownlightRc-P R150-11W-4000-MW GP	200*200*103	0.59	415*410*330	7.08	12
140065512	LEDDownlightRc-P R150-11W-5700-MW GP	200*200*103	0.59	415*410*330	7.08	12
140065513	LEDDownlightRc-P R200-15W-3000-MW GP	260*260*118	1	535*530*255	8	8
140065514	LEDDownlightRc-P R200-15W-4000-MW GP	260*260*118	1	535*530*255	8	8
140065515	LEDDownlightRc-P R200-15W-5700-MW GP	260*260*118	1	535*530*255	8	8
140065516	LEDDownlightRc-P R200-22W-3000-MW GP	260*260*118	1	535*530*255	8	8
140065517	LEDDownlightRc-P R200-22W-4000-MW GP	260*260*118	1	535*530*255	8	8
140065518	LEDDownlightRc-P R200-22W-5700-MW GP	260*260*118	1	535*530*255	8	8
140065519	LEDDownlightRc-P R200-33W-3000-MW GP	260*260*118	1	535*530*255	8	8
140065520	LEDDownlightRc-P R200-33W-4000-MW GP	260*260*118	1	535*530*255	8	8
140065521	LEDDownlightRc-P R200-33W-5700-MW GP	260*260*118	1	535*530*255	8	8
140065522	LEDDownlightRc-P R150-11W-3000-HG GP	200*200*103	0.59	415*410*330	7.08	12
140065523	LEDDownlightRc-P R150-11W-4000-HG GP	200*200*103	0.59	415*410*330	7.08	12
140065524	LEDDownlightRc-P R150-11W-5700-HG GP	200*200*103	0.59	415*410*330	7.08	12
140065525	LEDDownlightRc-P R200-15W-3000-HG GP	260*260*118	1	535*530*255	8	8
140065526	LEDDownlightRc-P R200-15W-4000-HG GP	260*260*118	1	535*530*255	8	8
140065527	LEDDownlightRc-P R200-15W-5700-HG GP	260*260*118	1	535*530*255	8	8
140065528	LEDDownlightRc-P R200-22W-3000-HG GP	260*260*118	1	535*530*255	8	8
140065529	LEDDownlightRc-P R200-22W-4000-HG GP	260*260*118	1	535*530*255	8	8
140065530	LEDDownlightRc-P R200-22W-5700-HG GP	260*260*118	1	535*530*255	8	8
140065531	LEDDownlightRc-P R200-33W-3000-HG GP	260*260*118	1	535*530*255	8	8
140065532	LEDDownlightRc-P R200-33W-4000-HG GP	260*260*118	1	535*530*255	8	8
140065533	LEDDownlightRc-P R200-33W-5700-HG GP	260*260*118	1	535*530*255	8	8
140065534	LEDDownlightRc-P R150-11W-3000-DA MW GP	200*200*103	0.59	415*410*330	7.08	12
140065535	LEDDownlightRc-P R150-11W-4000-DA MW GP	200*200*103	0.59	415*410*330	7.08	12
140065536	LEDDownlightRc-P R150-11W-5700-DA MW GP	200*200*103	0.59	415*410*330	7.08	12
140065537	LEDDownlightRc-P R200-15W-3000-DA MW GP	260*260*118	1	535*530*255	8	8
140065538	LEDDownlightRc-P R200-15W-4000-DA MW GP	260*260*118	1	535*530*255	8	8
140065539	LEDDownlightRc-P R200-15W-5700-DA MW GP	260*260*118	1	535*530*255	8	8
140065540	LEDDownlightRc-P R200-22W-3000-DA MW GP	260*260*118	1	535*530*255	8	8
140065541	LEDDownlightRc-P R200-22W-4000-DA MW GP	260*260*118	1	535*530*255	8	8
140065542	LEDDownlightRc-P R200-22W-5700-DA MW GP	260*260*118	1	535*530*255	8	8
140065543	LEDDownlightRc-P R200-33W-3000-DA MW GP	260*260*118	1	535*530*255	8	8
140065544	LEDDownlightRc-P R200-33W-4000-DA MW GP	260*260*118	1	535*530*255	8	8
140065545	LEDDownlightRc-P R200-33W-5700-DA MW GP	260*260*118	1	535*530*255	8	8
140065546	LEDDownlightRc-P R150-11W-3000-DA HG GP	200*200*103	0.59	415*410*330	7.08	12
140065547	LEDDownlightRc-P R150-11W-4000-DA HG GP	200*200*103	0.59	415*410*330	7.08	12
140065548	LEDDownlightRc-P R150-11W-5700-DA HG GP	200*200*103	0.59	415*410*330	7.08	12
140065549	LEDDownlightRc-P R200-15W-3000-DA HG GP	260*260*118	1	535*530*255	8	8
140065550	LEDDownlightRc-P R200-15W-4000-DA HG GP	260*260*118	1	535*530*255	8	8
140065551	LEDDownlightRc-P R200-15W-5700-DA HG GP	260*260*118	1	535*530*255	8	8
140065552	LEDDownlightRc-P R200-22W-3000-DA HG GP	260*260*118	1	535*530*255	8	8
140065553	LEDDownlightRc-P R200-22W-4000-DA HG GP	260*260*118	1	535*530*255	8	8
140065554	LEDDownlightRc-P R200-22W-5700-DA HG GP	260*260*118	1	535*530*255	8	8
140065555	LEDDownlightRc-P R200-33W-3000-DA HG GP	260*260*118	1	535*530*255	8	8
140065556	LEDDownlightRc-P R200-33W-4000-DA HG GP	260*260*118	1	535*530*255	8	8
140065557	LEDDownlightRc-P R200-33W-5700-DA HG GP	260*260*118	1	535*530*255	8	8

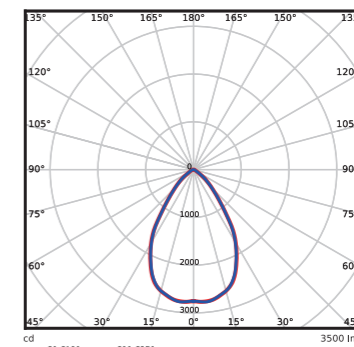
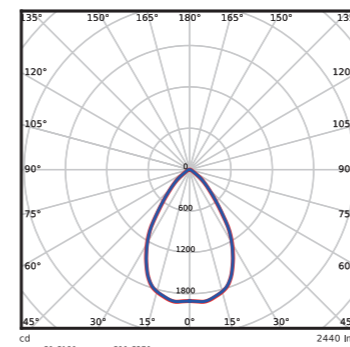
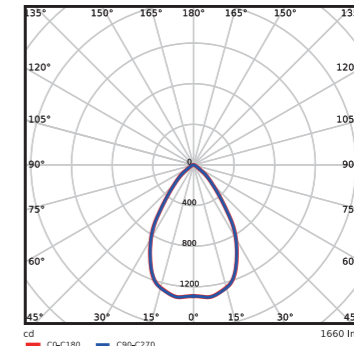
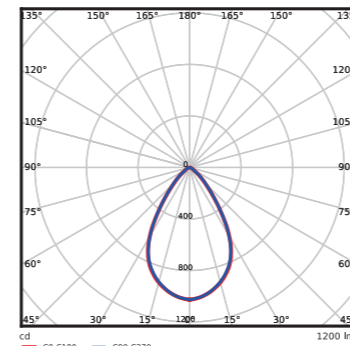
## Dimensional Drawing



## Cut-out Drawing



## Photometric Data







LED Downlight HR

### Features

- Anti-glare Darklight reflector, UGR < 19
- High lumen efficacy, 100 lm/W
- Optimal heat management
- Broad range of sizes: 2.5", 3", 4", 6" or 8"

### Benefits

- Glare free, visually comfortable light for working, living and learning
- Up to 60% energy savings compared to CFL
- Lasts 5 times longer than CFL
- Easily retrofit conventional fixtures with LED

### Application

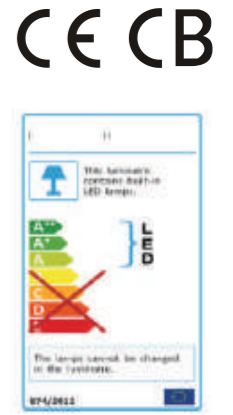


### Specification

Item Code	Item Description	Power (W)	Power Factor	Lumen (lm)	Efficacy (lm/W)	Input Current (mA)	Beam Angle (°)	CRI	UGR	CCT (K)	Lifetime (L70B50)	MOQ (pcs)
140048198	LEDDownlightRc-HR R82-5W-3000-WH-GP	5	0.70	330	66	30	75	>80	19	3000	30Khrs	540
140048199	LEDDownlightRc-HR R82-5W-4000-WH-GP	5	0.70	370	74	30	75	>80	19	4000	30Khrs	540
140047845	LEDDownlightRc-HR R82-5W-5700-WH-GP	5	0.70	400	80	30	75	>80	19	5700	30Khrs	540
140048200	LEDDownlightRc-HR R100-6W-3000-WH-GP	6	0.70	430	72	40	75	>80	19	3000	30Khrs	540
140048201	LEDDownlightRc-HR R100-6W-4000-WH-GP	6	0.70	480	80	40	75	>80	19	4000	30Khrs	540
140048202	LEDDownlightRc-HR R100-6W-5700-WH-GP	6	0.70	520	87	40	75	>80	19	5700	30Khrs	540
140048203	LEDDownlightRc-HR R120-9W-3000-WH-GP	9	0.70	700	78	70	75	>80	19	3000	30Khrs	540
140048204	LEDDownlightRc-HR R120-9W-4000-WH-GP	9	0.70	750	83	70	75	>80	19	4000	30Khrs	540
140047846	LEDDownlightRc-HR R120-9W-5700-WH-GP	9	0.70	800	89	70	75	>80	19	5700	30Khrs	540
140049944	LEDDownlightRc-HRP R120-9W-3000-WH-GP	9	0.95	700	78	48	75	>80	19	3000	30Khrs	540
140049945	LEDDownlightRc-HRP R120-9W-4000-WH-GP	9	0.95	800	89	48	75	>80	19	4000	30Khrs	540
140049946	LEDDownlightRc-HRP R120-9W-5700-WH-GP	9	0.95	850	94	48	75	>80	19	5700	30Khrs	540
140048205	LEDDownlightRc-HR R175-14W-3000-WH-GP	14	0.80	1220	87	90	80	>80	19	3000	30Khrs	540
140048206	LEDDownlightRc-HR R175-14W-4000-WH-GP	14	0.80	1320	94	90	80	>80	19	4000	30Khrs	540
140047847	LEDDownlightRc-HR R175-14W-5700-WH-GP	14	0.80	1410	101	90	80	>80	19	5700	30Khrs	540
140049947	LEDDownlightRc-HRP R175-14W-3000-WH-GP	14	0.95	1100	79	70	80	>80	19	3000	30Khrs	540
140049948	LEDDownlightRc-HRP R175-14W-4000-WH-GP	14	0.95	1200	86	70	80	>80	19	4000	30Khrs	540
140049949	LEDDownlightRc-HRP R175-14W-5700-WH-GP	14	0.95	1400	100	70	80	>80	19	5700	30Khrs	540
140048207	LEDDownlightRc-HR R210-29W-3000-WH-GP	29	0.95	2300	79	140	80	>80	19	3000	30Khrs	320
140048208	LEDDownlightRc-HR R210-29W-4000-WH-GP	29	0.95	2500	86	140	80	>80	19	4000	30Khrs	320
140047848	LEDDownlightRc-HR R210-29W-5700-WH-GP	29	0.95	2650	91	140	80	>80	19	5700	30Khrs	320
140048209	LEDDownlightRc-HR R210-42W-3000-WH-GP	42	0.95	3400	81	210	80	>80	19	3000	30Khrs	320
140048210	LEDDownlightRc-HR R210-42W-4000-WH-GP	42	0.95	3650	87	210	80	>80	19	4000	30Khrs	320
140048211	LEDDownlightRc-HR R210-42W-5700-WH-GP	42	0.95	3900	93	210	80	>80	19	5700	30Khrs	320

Technical Specifications	
On / Off Cycles	50,000
Colour Consistency (SDCM)	6
Dimmable	No
Finishing Colour	White
IP	IP20, IP44 for exposed parts
Driver Integrated (Yes/No)	No
Glow Wire Test	650°C
Driver Failure Rate	1% at 5000h
Weight (kg/pc)	0.21 / 0.27 / 0.43 / 0.39 / 0.73 / 0.71 / 1.2

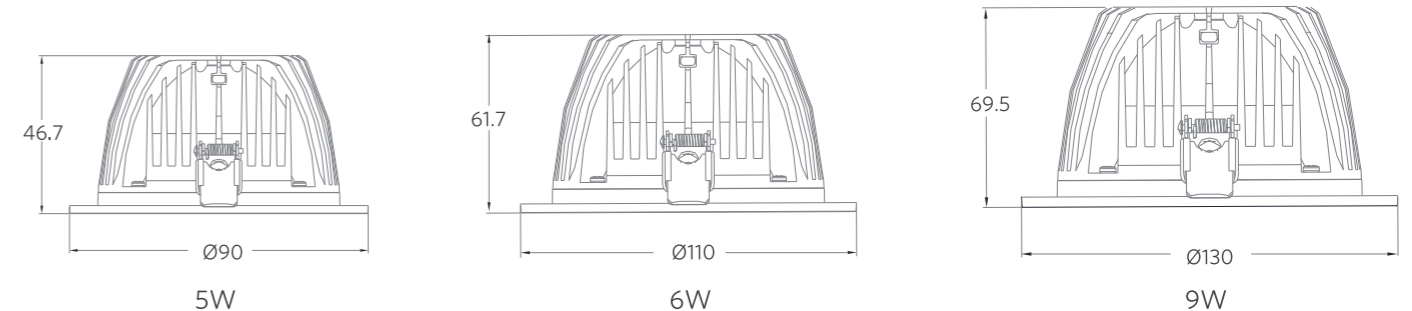
Electrical Supply	
Frequency (Hz)	50/60
Voltage (V)	220-240
AC/DC	AC
Mechanical Properties	
Housing Material	Die-cast Aluminum
Optical Material	Aluminum Coated PC
Application Conditions	
Operating Temperature	-10-40°C
Application Temperature	25°C
Storage Environment	-25-50°C

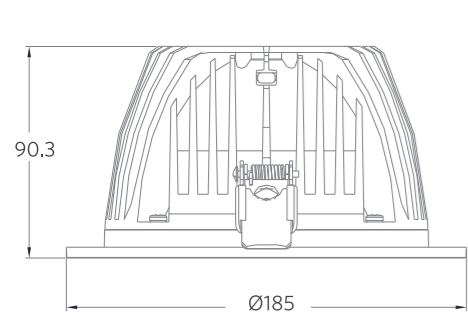


### Packaging Information

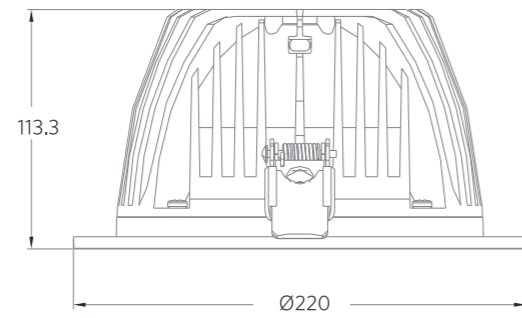
Item Code	Item Description	Single Box(1pc/box)		Packaging Unit		
		Dimensions(mm) (LxWxH)	Gross Weight (kg)	Dimensions(mm) (LxWxH)	Gross Weight (kg)	Packing Qty (pcs/unit)
140048198	LEDDownlightRc-HR R82-5W-3000-WH-GP	128x128x80	0.28	400x270x265	5.09	18
140048199	LEDDownlightRc-HR R82-5W-4000-WH-GP	128x128x80	0.28	400x270x265	5.09	18
140047845	LEDDownlightRc-HR R82-5W-5700-WH-GP	128x128x80	0.28	400x270x265	5.09	18
140048200	LEDDownlightRc-HR R100-6W-3000-WH-GP	150x150x93	0.41	465x315x305	7.42	18
140048201	LEDDownlightRc-HR R100-6W-4000-WH-GP	150x150x93	0.41	465x315x305	7.42	18
140048202	LEDDownlightRc-HR R100-6W-5700-WH-GP	150x150x93	0.41	465x315x305	7.42	18
140048203	LEDDownlightRc-HR R120-9W-3000-WH-GP	135x135x100	0.45	290x150x320	2.70	6
140048204	LEDDownlightRc-HR R120-9W-4000-WH-GP	135x135x100	0.45	290x150x320	2.70	6
140047846	LEDDownlightRc-HR R120-9W-5700-WH-GP	135x135x100	0.45	290x150x320	2.70	6
140049944	LEDDownlightRc-HRP R120-9W-3000-WH-GP	150x150x80	0.57	316x316x184	4.56	8
140049945	LEDDownlightRc-HRP R120-9W-4000-WH-GP	150x150x80	0.57	316x316x184	4.56	8
140049946	LEDDownlightRc-HRP R120-9W-5700-WH-GP	150x150x80	0.57	316x316x184	4.56	8
140048205	LEDDownlightRc-HR R175-14W-3000-WH-GP	188x188x120	0.96	584x396x140	5.76	6
140048206	LEDDownlightRc-HR R175-14W-4000-WH-GP	188x188x120	0.96	584x396x140	5.76	6
140047847	LEDDownlightRc-HR R175-14W-5700-WH-GP	188x188x120	0.96	584x396x140	5.76	6
140049947	LEDDownlightRc-HRP R175-14W-3000-WH-GP	210x210x102	1.07	436x436x228	8.56	8
140049948	LEDDownlightRc-HRP R175-14W-4000-WH-GP	210x210x102	1.07	436x436x228	8.56	8
140049949	LEDDownlightRc-HRP R175-14W-5700-WH-GP	210x210x102	1.07	436x436x228	8.56	8
140048207	LEDDownlightRc-HR R210-29W-3000-WH-GP	250x250x145	1.60	520x267x455	9.60	6
140048208	LEDDownlightRc-HR R210-29W-4000-WH-GP	250x250x145	1.60	520x267x455	9.60	6
140047848	LEDDownlightRc-HR R210-29W-5700-WH-GP	250x250x145	1.60	520x267x455	9.60	6
140048209	LEDDownlightRc-HR R210-42W-3000-WH-GP	250x250x145	1.60	520x267x455	9.60	6
140048210	LEDDownlightRc-HR R210-42W-4000-WH-GP	250x250x145	1.60	520x267x455	9.60	6
140048211	LEDDownlightRc-HR R210-42W-5700-WH-GP	250x250x145	1.60	520x267x455	9.60	6

### Dimensional Drawing



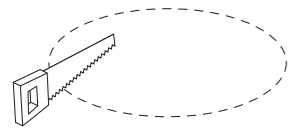


14W



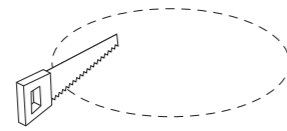
29W/42W

Cut-out Drawing



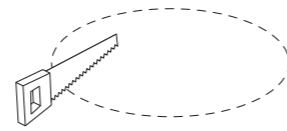
Ø82

5W



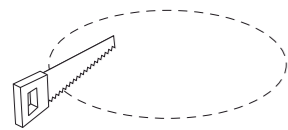
Ø100

6W



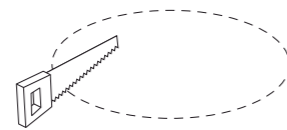
Ø120

9W



Ø175

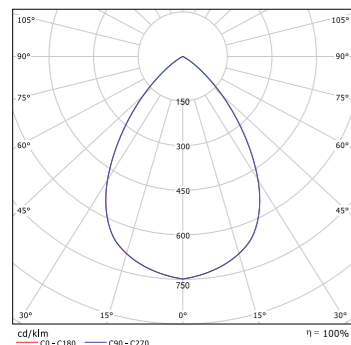
14W



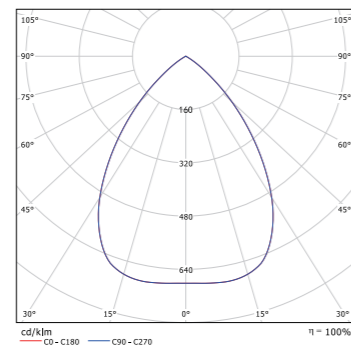
Ø210

29W/42W

Photometric Data



75°(5W/6W/9W)



80°(14W/29W/42W)



LED Downlight HM

Features

- High lumen efficacy, 100 lm/W
- Optimal heat management
- Broad range of sizes: 2.5", 3", 4", 6" or 8"
- IP44 protection rating

Benefits

- Up to 60% energy savings compared to CFL
- Lasts 5 times longer than CFL
- Easily retrofit conventional fixtures with LED
- Resistant to humidity

Application



Specification

Item Code	Item Description	Power (W)	Power Factor	Lumen (lm)	Efficacy (lm/W)	Input Current (mA)	Beam Angle (°)	CRI	CCT (K)	Lifetime (L70B50)	MOQ (pcs)
140048184	LEDDownlightRc-HM R82-5W-3000-WH-GP	5	0.70	330	66	30	75	≥80	3000	30Khrs	540
140048185	LEDDownlightRc-HM R82-5W-4000-WH-GP	5	0.70	370	74	30	75	≥80	4000	30Khrs	540
140048186	LEDDownlightRc-HM R82-5W-5700-WH-GP	5	0.70	400	80	30	75	≥80	5700	30Khrs	540
140048187	LEDDownlightRc-HM R100-6W-3000-WH-GP	6	0.70	420	70	40	75	≥80	3000	30Khrs	540
140047841	LEDDownlightRc-HM R100-6W-4000-WH-GP	6	0.70	480	80	40	75	≥80	4000	30Khrs	540
140048188	LEDDownlightRc-HM R100-6W-5700-WH-GP	6	0.70	520	87	40	75	≥80	5700	30Khrs	540
140048189	LEDDownlightRc-HM R120-9W-3000-WH-GP	9	0.70	700	78	70	80	≥80	3000	30Khrs	540
140047842	LEDDownlightRc-HM R120-9W-4000-WH-GP	9	0.70	800	89	70	80	≥80	4000	30Khrs	540
140048190	LEDDownlightRc-HM R120-9W-5700-WH-GP	9	0.70	850	94	70	80	≥80	5700	30Khrs	540
140049938	LEDDownlightRc-HMP R120-9W-3000-WH-GP	9	0.95	700	78	48	80	≥80	3000	30Khrs	540
140049939	LEDDownlightRc-HMP R120-9W-4000-WH-GP	9	0.95	750	83	48	80	≥80	4000	30Khrs	540
140049940	LEDDownlightRc-HMP R120-9W-5700-WH-GP	9	0.95	800	89	48	80	≥80	5700	30Khrs	540
140048191	LEDDownlightRc-HM R175-14W-3000-WH-GP	14	0.80	1100	79	90	80	≥80	3000	30Khrs	540
140047843	LEDDownlightRc-HM R175-14W-4000-WH-GP	14	0.80	1200	86	90	80	≥80	4000	30Khrs	540
140048192	LEDDownlightRc-HM R175-14W-5700-WH-GP	14	0.80	1400	100	90	80	≥80	5700	30Khrs	540
140049941	LEDDownlightRc-HMP R175-14W-3000-WH-GP	14	0.95	1220	87	70	80	≥80	3000	30Khrs	540
140049942	LEDDownlightRc-HMP R175-14W-4000-WH-GP	14	0.95	1320	94	70	80	≥80	4000	30Khrs	540
140049943	LEDDownlightRc-HMP R175-14W-5700-WH-GP	14	0.95	1410	101	70	80	≥80	5700	30Khrs	540
140048193	LEDDownlightRc-HM R210-29W-3000-WH-GP	29	0.95	2300	79	140	80	≥80	3000	30Khrs	320
140047844	LEDDownlightRc-HM R210-29W-4000-WH-GP	29	0.95	2500	86	140	80	≥80	4000	30Khrs	320
140048194	LEDDownlightRc-HM R210-29W-5700-WH-GP	29	0.95	2700	93	140	80	≥80	5700	30Khrs	320
140048195	LEDDownlightRc-HM R210-42W-3000-WH-GP	42	0.95	3300	79	210	80	≥80	3000	30Khrs	320
140048196	LEDDownlightRc-HM R210-42W-4000-WH-GP	42	0.95	3700	88	210	80	≥80	4000	30Khrs	320
140048197	LEDDownlightRc-HM R210-42W-5700-WH-GP	42	0.95	4200	100	210	80	≥80	5700	30Khrs	320

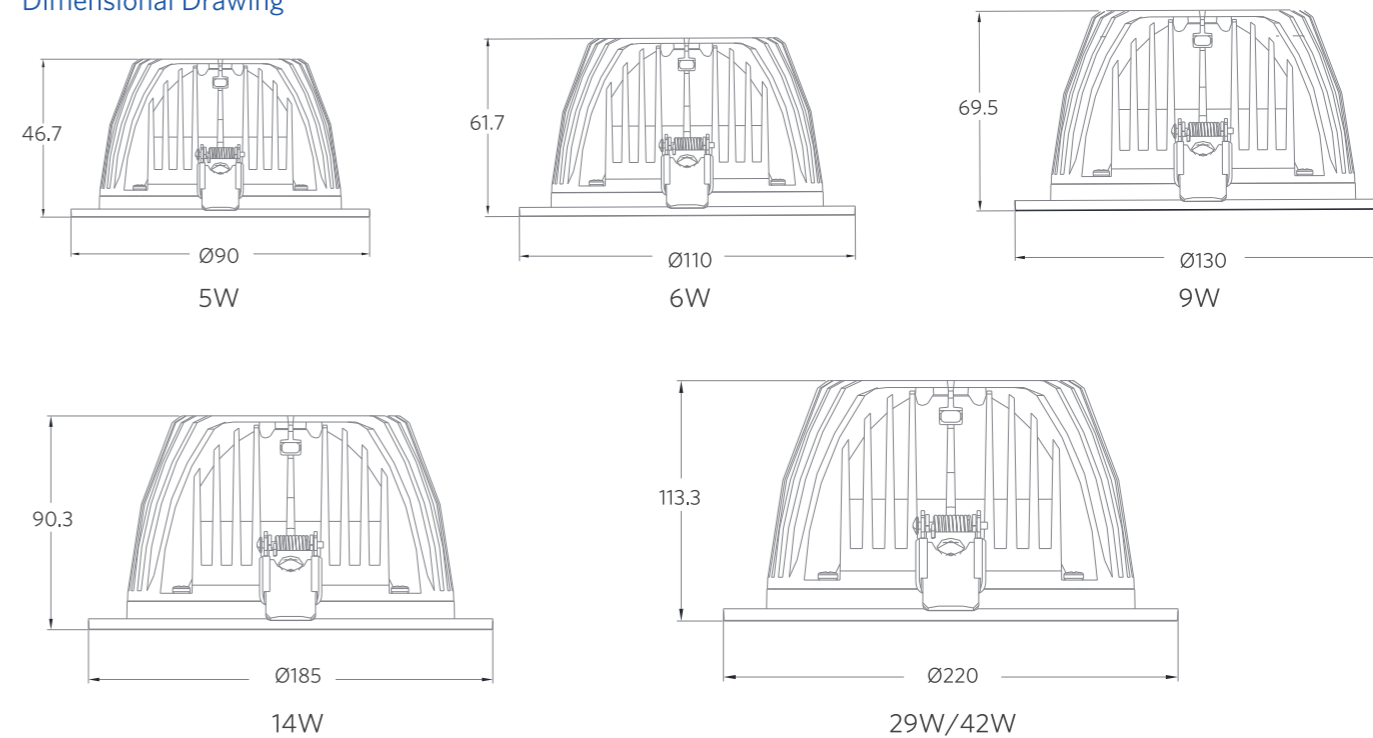
Technical Specifications	
On / Off Cycles	50,000
Colour Consistency (SDCM)	6
Dimmable	No
Finishing Colour	White
IP	IP20, IP44 for exposed parts
Driver Integrated (Yes/No)	No
Glow Wire Test	650°C
Driver Failure Rate	1% at 5000h
Weight (kg/pc)	0.21 / 0.27 / 0.43 / 0.39 / 0.73 / 0.71 / 1.2

Electrical Supply	
Frequency (Hz)	50/60
Voltage (V)	220-240
AC/DC	AC
Mechanical Properties	
Housing Material	Die-cast Aluminum
Optical Material	Aluminum Coated PC
Application Conditions	
Operating Temperature	-10-40°C
Application Temperature	25°C
Storage Environment	-25-50°C

CE CB



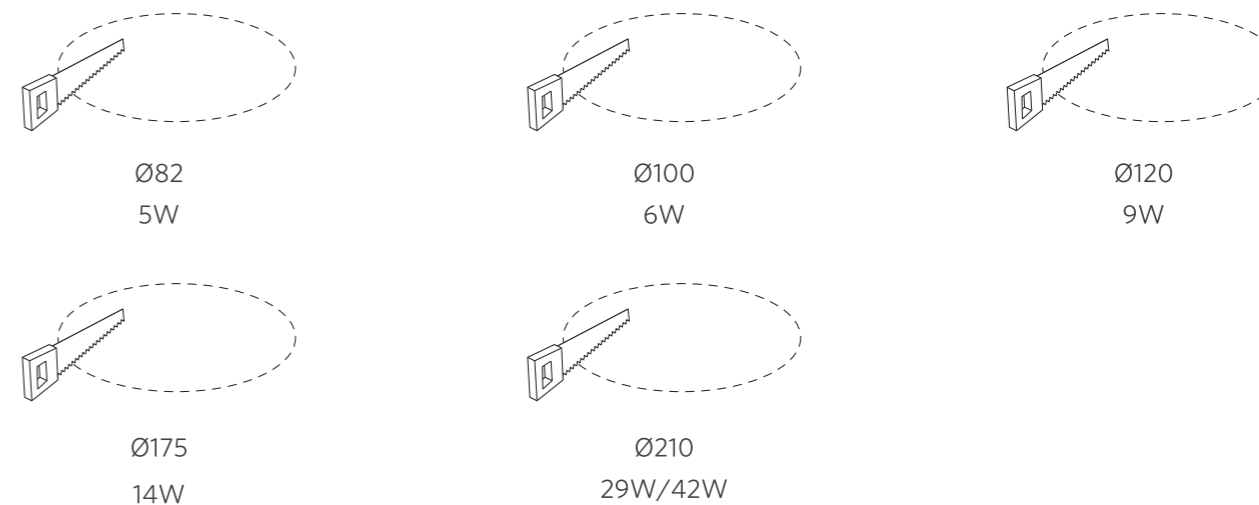
### Dimensional Drawing



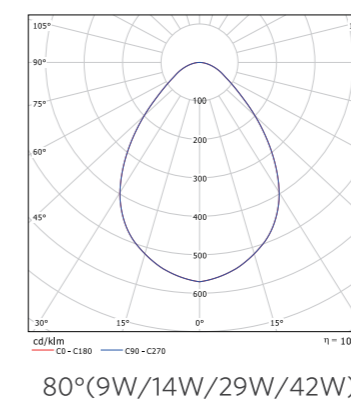
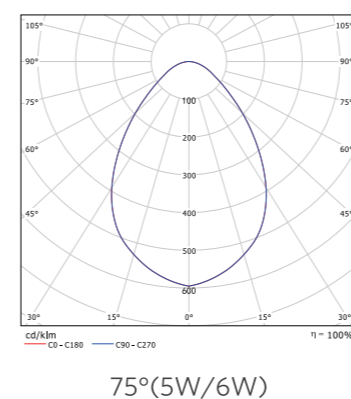
### Packaging Information

Item		Single Box(1pc/box)		Packaging Unit		
Item Code	Item Description	Dimensions(mm) (LxWxH)	Gross Weight (kg)	Dimensions(mm) (LxWxH)	Gross Weight (kg)	Packing Qty (pcs/unit)
140048184	LEDDownlightRc-HM R82-5W-3000-WH-GP	128x128x80	0.28	400x270x265	5.09	18
140048185	LEDDownlightRc-HM R82-5W-4000-WH-GP	128x128x80	0.28	400x270x265	5.09	18
140048186	LEDDownlightRc-HM R82-5W-5700-WH-GP	128x128x80	0.28	400x270x265	5.09	18
140048187	LEDDownlightRc-HM R100-6W-3000-WH-GP	150x150x93	0.41	465x315x305	7.42	18
140047841	LEDDownlightRc-HM R100-6W-4000-WH-GP	150x150x93	0.41	465x315x305	7.42	18
140048188	LEDDownlightRc-HM R100-6W-5700-WH-GP	150x150x93	0.41	465x315x305	7.42	18
140048189	LEDDownlightRc-HM R120-9W-3000-WH-GP	135x135x100	0.45	290x150x320	2.70	6
140047842	LEDDownlightRc-HM R120-9W-4000-WH-GP	135x135x100	0.45	290x150x320	2.70	6
140048190	LEDDownlightRc-HM R120-9W-5700-WH-GP	135x135x100	0.45	290x150x320	2.70	6
140049938	LEDDownlightRc-HMP R120-9W-3000-WH-GP	150x150x80	0.57	316x316x184	4.56	8
140049939	LEDDownlightRc-HMP R120-9W-4000-WH-GP	150x150x80	0.57	316x316x184	4.56	8
140049940	LEDDownlightRc-HMP R120-9W-5700-WH-GP	150x150x80	0.57	316x316x184	4.56	8
140048191	LEDDownlightRc-HM R175-14W-3000-WH-GP	188x188x120	0.96	584x396x140	5.76	6
140047843	LEDDownlightRc-HM R175-14W-4000-WH-GP	188x188x120	0.96	584x396x140	5.76	6
140048192	LEDDownlightRc-HM R175-14W-5700-WH-GP	188x188x120	0.96	584x396x140	5.76	6
140049941	LEDDownlightRc-HMP R175-14W-3000-WH-GP	210x210x102	1.07	436x436x228	8.56	8
140049942	LEDDownlightRc-HMP R175-14W-4000-WH-GP	210x210x102	1.07	436x436x228	8.56	8
140049943	LEDDownlightRc-HMP R175-14W-5700-WH-GP	210x210x102	1.07	436x436x228	8.56	8
140048193	LEDDownlightRc-HM R210-29W-3000-WH-GP	250x250x145	1.60	520x267x455	9.60	6
140047844	LEDDownlightRc-HM R210-29W-4000-WH-GP	250x250x145	1.60	520x267x455	9.60	6
140048194	LEDDownlightRc-HM R210-29W-5700-WH-GP	250x250x145	1.60	520x267x455	9.60	6
140048195	LEDDownlightRc-HM R210-42W-3000-WH-GP	250x250x145	1.60	520x267x455	9.60	6
140048196	LEDDownlightRc-HM R210-42W-4000-WH-GP	250x250x145	1.60	520x267x455	9.60	6
140048197	LEDDownlightRc-HM R210-42W-5700-WH-GP	250x250x145	1.60	520x267x455	9.60	6

### Cut-out Drawing



### Photometric Data





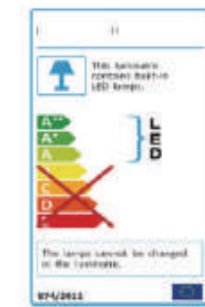
LED Slim Downlight Ecomax III

Technical Specifications	
On/Off Cycles	50000
Color Consistency (SDCM)	≤ 6
Dimmable	No
Beam Angle (°)	120
Finishing Color	White
IP	IP20
Driver Integrated (Yes/No)	NO
Glow Wire Test	650°C
Driver Failure Rate	1% at 50000h
Weight (kg/pc)	0.12/ 0.18/ 0.275/ 0.135/ 0.21/ 0.325

Electrical Supply	
Frequency (Hz)	50/60
Voltage (V)	220-240V
AC/DC	AC

Mechanical Properties	
Housing Material	PC
Optical Material	PC

Application Conditions	
Operating Temperature	-10 ~ +40°C
Application Temperature	25°C
Storage Environment	-25 ~ +50°C



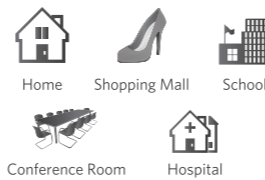
### Features

- High lumen output
- Long lifespan
- Easy to repair
- Looking good

### Benefits

- Up to 50% energy saving compared to conventional downlight
- Lasts 3 times longer than conventional downlight, up to 30000hrs lifetime
- Independent driver can be replaced by professionals
- A slim, stylish body gives this luminaire a modern aesthetic that brings beauty to any space

### Application



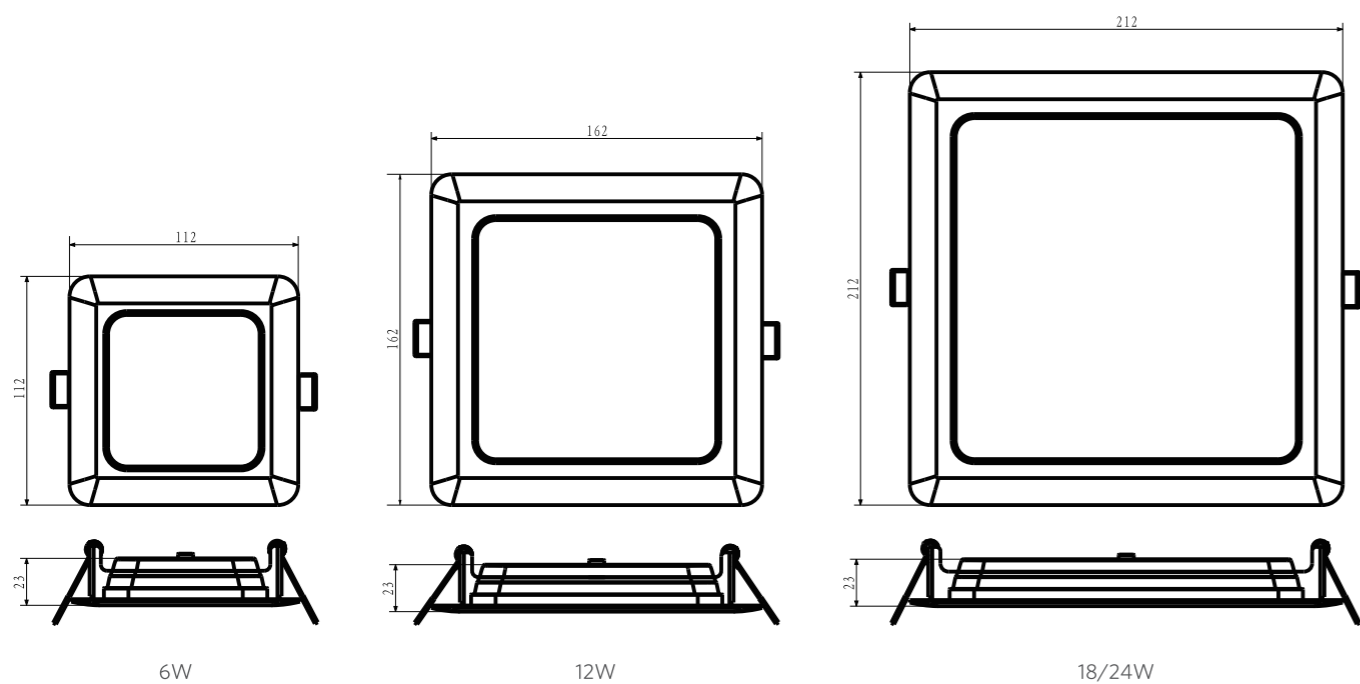
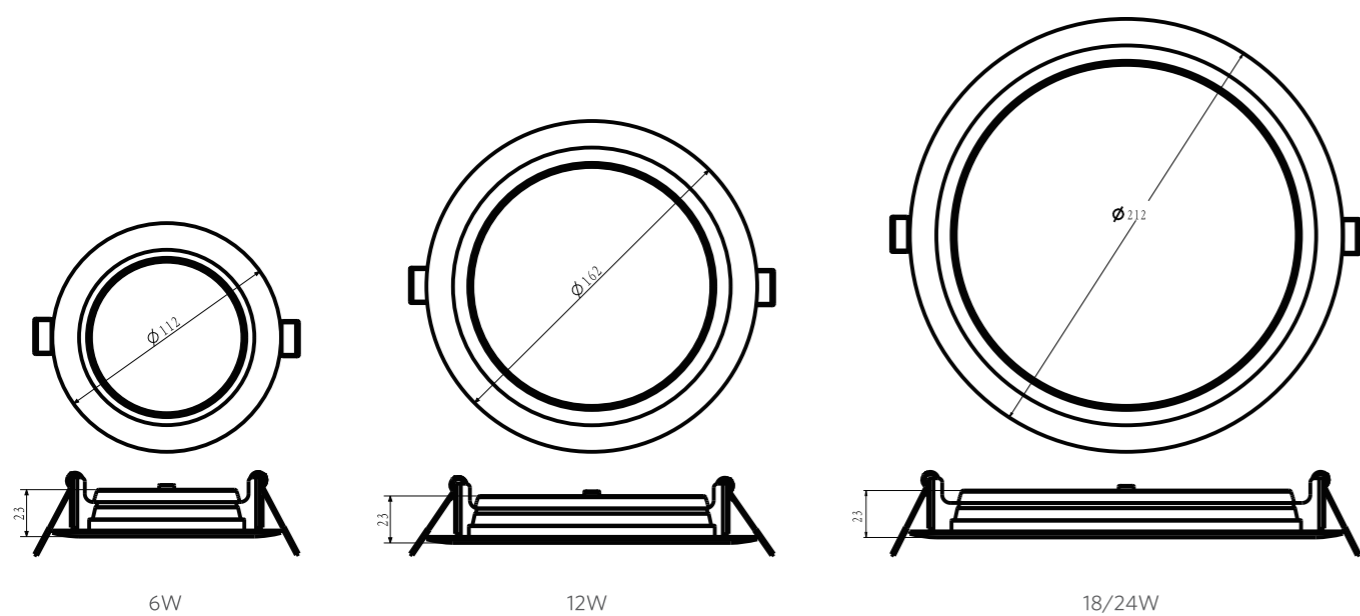
### Specification

Item Code	Item Description	Power (W)	Power Factor	Lumen (lm)	Efficacy (lm/W)	Input Current (mA)	CRI	CCT (K)	Lifetime (L70B50)	MOQ (pcs)
140062536	LEDDownlightRc-ESIII R100-6W-3000-WH-NV	6	0.5	450	75	60	>80	3000	30000	600
140062537	LEDDownlightRc-ESIII R100-6W-4000-WH-NV	6	0.5	480	80	60	>80	4000	30000	600
140062538	LEDDownlightRc-ESIII R100-6W-6500-WH-NV	6	0.5	480	80	60	>80	6500	30000	600
140062539	LEDDownlightRc-ESIII R150-12W-3000-WH-NV	12	0.5	900	75	105	>80	3000	30000	600
140062540	LEDDownlightRc-ESIII R150-12W-4000-WH-NV	12	0.5	960	80	105	>80	4000	30000	600
140062541	LEDDownlightRc-ESIII R150-12W-6500-WH-NV	12	0.5	960	80	105	>80	6500	30000	600
140062542	LEDDownlightRc-ESIII R200-18W-3000-WH-NV	18	0.5	1350	75	150	>80	3000	30000	600
140062543	LEDDownlightRc-ESIII R200-18W-4000-WH-NV	18	0.5	1440	80	150	>80	4000	30000	600
140062544	LEDDownlightRc-ESIII R200-18W-6500-WH-NV	18	0.5	1440	80	150	>80	6500	30000	600
140062545	LEDDownlightRc-ESIII R200-24W-3000-WH-NV	24	0.5	1800	75	180	>80	3000	30000	600
140062546	LEDDownlightRc-ESIII R200-24W-4000-WH-NV	24	0.5	1920	80	180	>80	4000	30000	600
140062547	LEDDownlightRc-ESIII R200-24W-6500-WH-NV	24	0.5	1920	80	180	>80	6500	30000	600
140062548	LEDDownlightRc-ESIII S100-6W-3000-WH-NV	6	0.5	450	75	60	>80	3000	30000	600
140062549	LEDDownlightRc-ESIII S100-6W-4000-WH-NV	6	0.5	480	80	60	>80	4000	30000	600
140062550	LEDDownlightRc-ESIII S100-6W-6500-WH-NV	6	0.5	480	80	60	>80	6500	30000	600
140062551	LEDDownlightRc-ESIII S150-12W-3000-WH-NV	12	0.5	900	75	105	>80	3000	30000	600
140062552	LEDDownlightRc-ESIII S150-12W-4000-WH-NV	12	0.5	960	80	105	>80	4000	30000	600
140062553	LEDDownlightRc-ESIII S150-12W-6500-WH-NV	12	0.5	960	80	105	>80	6500	30000	600
140062554	LEDDownlightRc-ESIII S200-18W-3000-WH-NV	18	0.5	1350	75	150	>80	3000	30000	600
140062555	LEDDownlightRc-ESIII S200-18W-4000-WH-NV	18	0.5	1440	80	150	>80	4000	30000	600
140062556	LEDDownlightRc-ESIII S200-18W-6500-WH-NV	18	0.5	1440	80	150	>80	6500	30000	600
140062557	LEDDownlightRc-ESIII S200-24W-3000-WH-NV	24	0.5	1800	75	180	>80	3000	30000	600
140062558	LEDDownlightRc-ESIII S200-24W-4000-WH-NV	24	0.5	1920	80	180	>80	4000	30000	600
140062559	LEDDownlightRc-ESIII S200-24W-6500-WH-NV	24	0.5	1920	80	180	>80	6500	30000	600

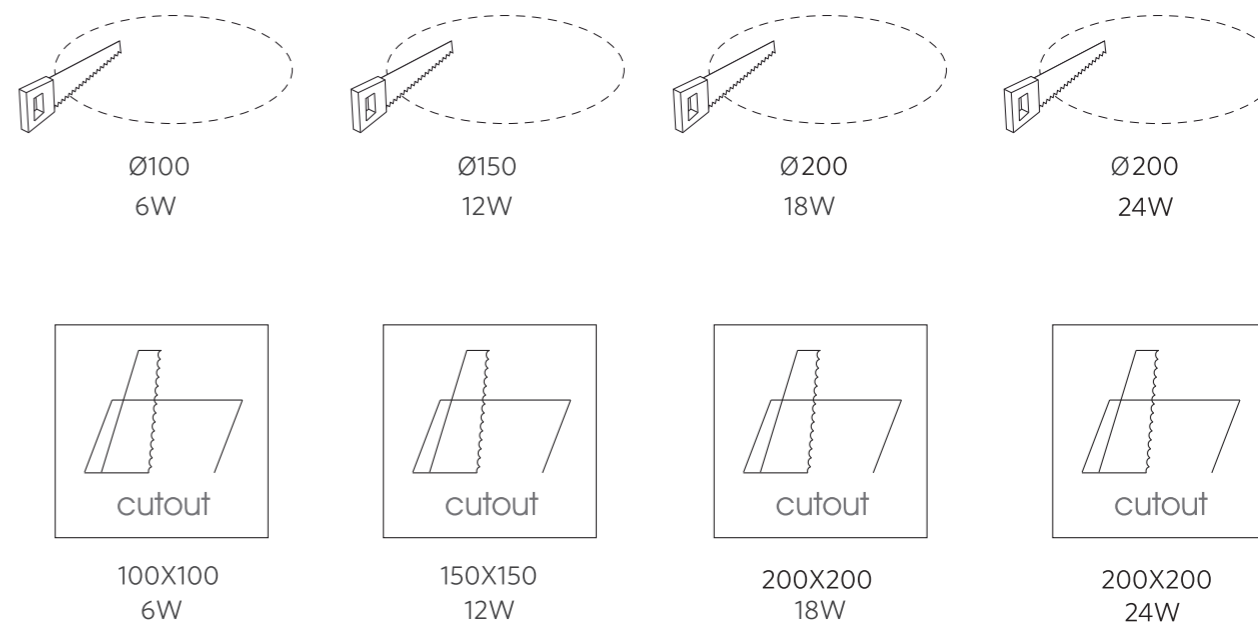
### Packaging Information

Item Code	Item Description	Single Box(1pc/box)		Outer box		
		Dimensions(mm) (LxWxH)	Gross Weight (kg)	Dimensions(mm) (LxWxH)	Gross Weight (kg)	Packing Qty (pc/unit)
140062536	LEDDownlightRc-ESIII R100-6W-3000-WH-NV	144*44*129	0.19	445*235*275	5.58	30
140062537	LEDDownlightRc-ESIII R100-6W-4000-WH-NV	144*44*129	0.19	445*235*275	5.58	30
140062538	LEDDownlightRc-ESIII R100-6W-6500-WH-NV	144*44*129	0.19	445*235*275	5.58	30
140062539	LEDDownlightRc-ESIII R150-12W-3000-WH-NV	189*44*166	0.27	390*235*350	5.36	20
140062540	LEDDownlightRc-ESIII R150-12W-4000-WH-NV	189*44*166	0.27	390*235*350	5.36	20
140062541	LEDDownlightRc-ESIII R150-12W-6500-WH-NV	189*44*166	0.27	390*235*350	5.36	20
140062542	LEDDownlightRc-ESIII R200-18W-3000-WH-NV	240*44*216	0.41	495*235*235	4.1	10
140062543	LEDDownlightRc-ESIII R200-18W-4000-WH-NV	240*44*216	0.41	495*235*235	4.1	10
140062544	LEDDownlightRc-ESIII R200-18W-6500-WH-NV	240*44*216	0.41	495*235*235	4.1	10
140062545	LEDDownlightRc-ESIII R200-24W-3000-WH-NV	240*44*216	0.41	495*235*235	4.1	10
140062546	LEDDownlightRc-ESIII R200-24W-4000-WH-NV	240*44*216	0.41	495*235*235	4.1	10
140062547	LEDDownlightRc-ESIII R200-24W-6500-WH-NV	240*44*216	0.41	495*235*235	4.1	10
140062548	LEDDownlightRc-ESIII S100-6W-3000-WH-NV	144*44*144	0.20	445*235*305	6.06	30
140062549	LEDDownlightRc-ESIII S100-6W-4000-WH-NV	144*44*144	0.20	445*235*305	6.06	30
140062550	LEDDownlightRc-ESIII S100-6W-6500-WH-NV	144*44*144	0.20	445*235*305	6.06	30
140062551	LEDDownlightRc-ESIII S150-12W-3000-WH-NV	189*44*184	0.31	390*235*385	6.18	20
140062552	LEDDownlightRc-ESIII S150-12W-4000-WH-NV	189*44*184	0.31	390*235*385	6.18	20
140062553	LEDDownlightRc-ESIII S150-12W-6500-WH-NV	189*44*184	0.31	390*235*385	6.18	20
140062554	LEDDownlightRc-ESIII S200-18W-3000-WH-NV	240*44*234	0.47	495*235*250	4.7	10
140062555	LEDDownlightRc-ESIII S200-18W-4000-WH-NV	240*44*234	0.47	495*235*250	4.7	10
140062556	LEDDownlightRc-ESIII S200-18W-6500-WH-NV	240*44*234	0.47	495*235*250	4.7	10
140062557	LEDDownlightRc-ESIII S200-24W-3000-WH-NV	240*44*234	0.47	495*235*250	4.7	10
140062558	LEDDownlightRc-ESIII S200-24W-4000-WH-NV	240*44*234	0.47	495*235*250	4.7	10
140062559	LEDDownlightRc-ESIII S200-24W-6500-WH-NV	240*44*234	0.47	495*235*250	4.7	10

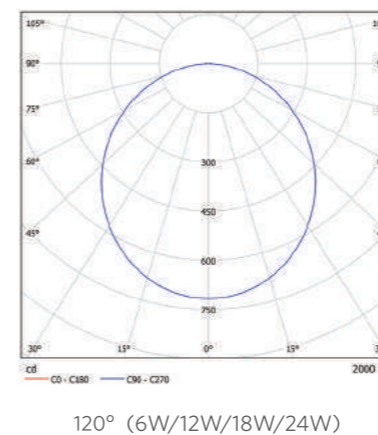
## Dimensional Drawing

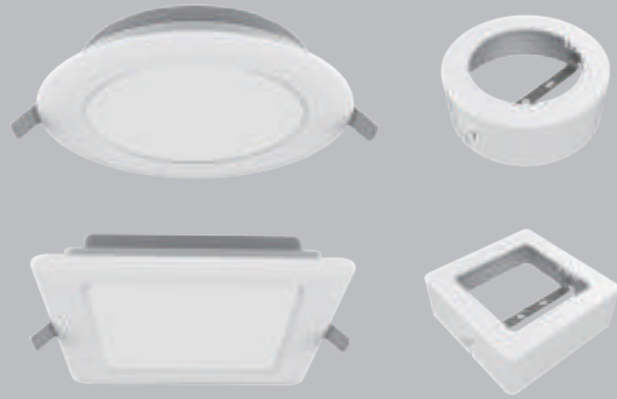


## Cut-out Drawing



## Photometric Data





## LED Slim Downlight EcoMax II

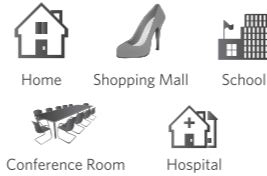
### Features

- High Lumen Output
- Long lifespan
- Easy to installation

### Benefits

- Up to 50% energy saving compared to conventional downlight
- Lasts 3 times longer than conventional downlight , up to 30000hrs lifetime
- Driver on board in compact size ensure 1 step plug-and-play installation

### Application



### Specification

Item Code	Item Description	Power (W)	Power Factor	Lumen (lm)	Efficacy (lm/W)	Beam Angle (°)	CRI	Rated Current (mA)	CCT (K)	Lifetime (L70B50)	MOQ (pcs)
140053269	LEDDownlightRc-ESII R100-6W-3000-WH-NV	6	0.45	380	63	110	80	55	3000	30000	600
140053270	LEDDownlightRc-ESII R100-6W-4000-WH-NV	6	0.45	400	67	110	80	55	4000	30000	600
140053271	LEDDownlightRc-ESII R100-6W-6000-WH-NV	6	0.45	400	67	110	80	55	6000	30000	600
140053272	LEDDownlightRc-ESII R150-12W-3000-WH-NV	12	0.50	810	68	110	80	100	3000	30000	600
140053273	LEDDownlightRc-ESII R150-12W-4000-WH-NV	12	0.50	850	71	110	80	100	4000	30000	600
140053274	LEDDownlightRc-ESII R150-12W-6000-WH-NV	12	0.50	850	71	110	80	100	6000	30000	600
140053275	LEDDownlightRc-ESII R200-18W-3000-WH-NV	18	0.50	1250	69	110	80	155	3000	30000	600
140053276	LEDDownlightRc-ESII R200-18W-4000-WH-NV	18	0.50	1300	72	110	80	155	4000	30000	600
140053277	LEDDownlightRc-ESII R200-18W-6000-WH-NV	18	0.50	1300	72	110	80	155	6000	30000	600
140053278	LEDDownlightRc-ESII R200-24W-3000-WH-NV	24	0.50	1620	68	110	80	190	3000	30000	600
140053279	LEDDownlightRc-ESII R200-24W-4000-WH-NV	24	0.50	1700	71	110	80	190	4000	30000	600
140053280	LEDDownlightRc-ESII R200-24W-6000-WH-NV	24	0.50	1700	71	110	80	190	6000	30000	600
140053281	LEDDownlightRc-ESII S100-6W-3000-WH-NV	6	0.45	380	63	110	80	55	3000	30000	600
140053282	LEDDownlightRc-ESII S100-6W-4000-WH-NV	6	0.45	400	67	110	80	55	4000	30000	600
140053283	LEDDownlightRc-ESII S100-6W-6000-WH-NV	6	0.45	400	67	110	80	55	6000	30000	600
140053284	LEDDownlightRc-ESII S150-12W-3000-WH-NV	12	0.50	810	68	110	80	100	3000	30000	600
140053285	LEDDownlightRc-ESII S150-12W-4000-WH-NV	12	0.50	850	71	110	80	100	4000	30000	600
140053286	LEDDownlightRc-ESII S150-12W-6000-WH-NV	12	0.50	850	71	110	80	100	6000	30000	600
140053287	LEDDownlightRc-ESII S200-18W-3000-WH-NV	18	0.50	1250	69	110	80	155	3000	30000	600
140053288	LEDDownlightRc-ESII S200-18W-4000-WH-NV	18	0.50	1300	72	110	80	155	4000	30000	600
140053289	LEDDownlightRc-ESII S200-18W-6000-WH-NV	18	0.50	1300	72	110	80	155	6000	30000	600
140053290	LEDDownlightRc-ESII S200-24W-3000-WH-NV	24	0.50	1620	68	110	80	190	3000	30000	600
140053291	LEDDownlightRc-ESII S200-24W-4000-WH-NV	24	0.50	1700	71	110	80	190	4000	30000	600
140053292	LEDDownlightRc-ESII S200-24W-6000-WH-NV	24	0.50	1700	71	110	80	190	6000	30000	600

Item Code	Item Description	Power (W)	Power Factor	Lumen (lm)	Efficacy (lm/W)	Beam Angle (°)	CRI	Rated Current (mA)	CCT (K)	Lifetime (L70B50)	MOQ (pcs)
140058004	LEDDownlightSm-ESII R100 WH-GP	/	/	/	/	/	/	/	/	/	1000
140058005	LEDDownlightSm-ESII R150 WH-GP	/	/	/	/	/	/	/	/	/	1000
140058006	LEDDownlightSm-ESII R200 WH-GP	/	/	/	/	/	/	/	/	/	1000
140058007	LEDDownlightSm-ESII S100 WH-GP	/	/	/	/	/	/	/	/	/	1000
140058008	LEDDownlightSm-ESII S150 WH-GP	/	/	/	/	/	/	/	/	/	1000
140058009	LEDDownlightSm-ESII S200 WH-GP	/	/	/	/	/	/	/	/	/	1000

### Technical Specifications

On / Off Cycles	50,000
Colour Consistency (SDCM)	6
Dimmable	No
Beam Angle (°)	110
Finishing Colour	White
IP	IP44, IP20 for recessed parts
Driver Integrated (Yes/No)	YES
Glow Wire Test	650°C
Driver Failure Rate	1% at 5000h
Weight (kg/pc)	0.13/0.23/0.41/0.41/0.15 /0.24/0.51/0.51

### Electrical Supply

Frequency (Hz)	50/60
Voltage (V)	220-240
AC/DC	AC

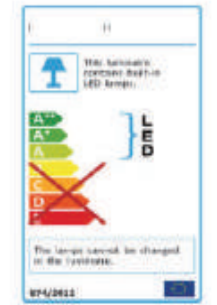
### Mechanical Properties

Housing Material	Metal
Optical Material	PMMA

### Application Conditions

Operating Temperature	-10-40°C
Application Temperature	25°C
Storage Environment	-25-50°C

CE CB

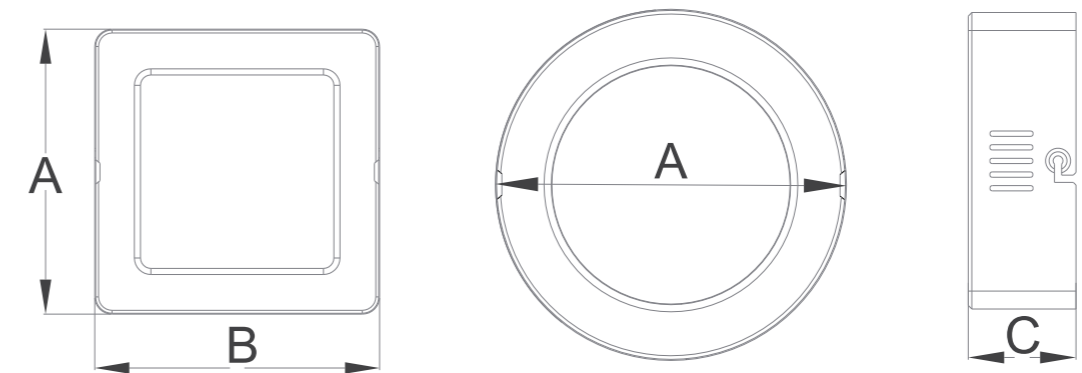
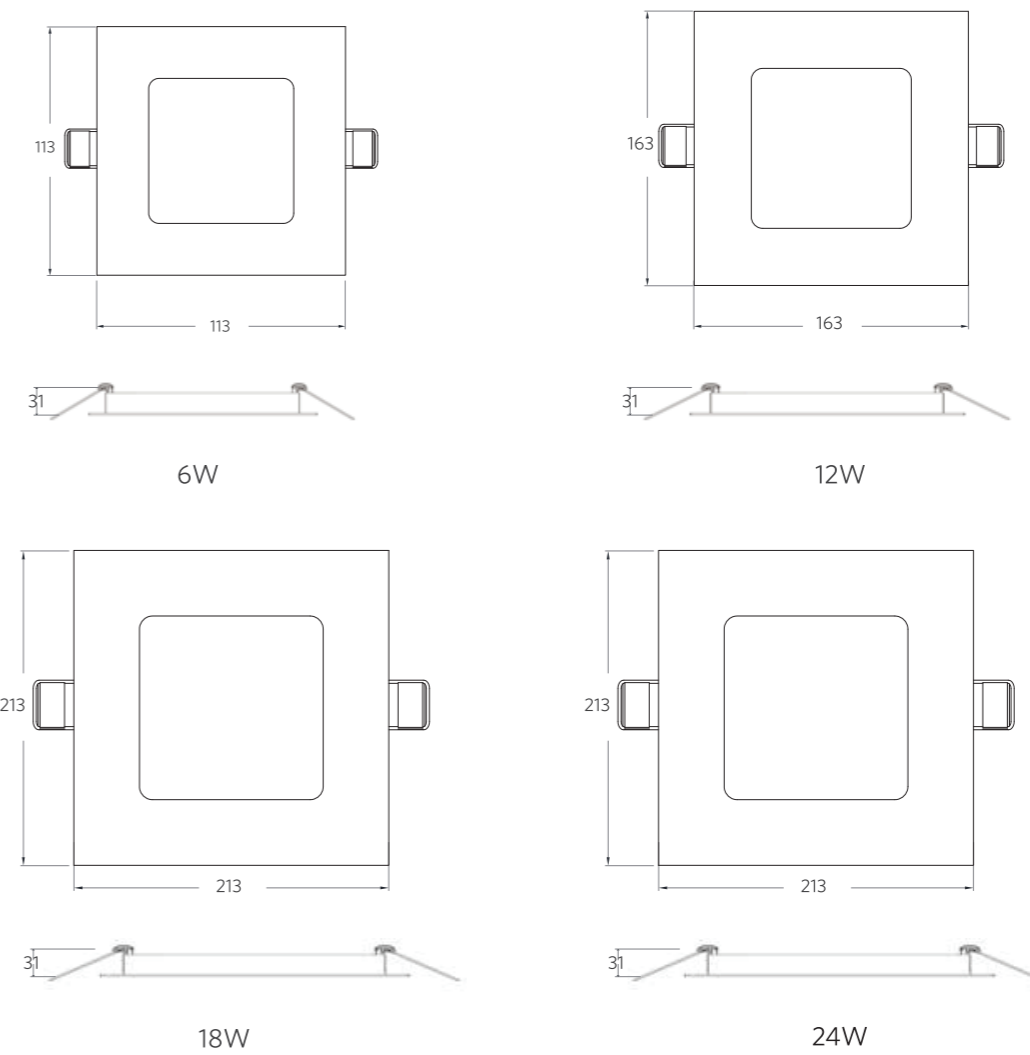
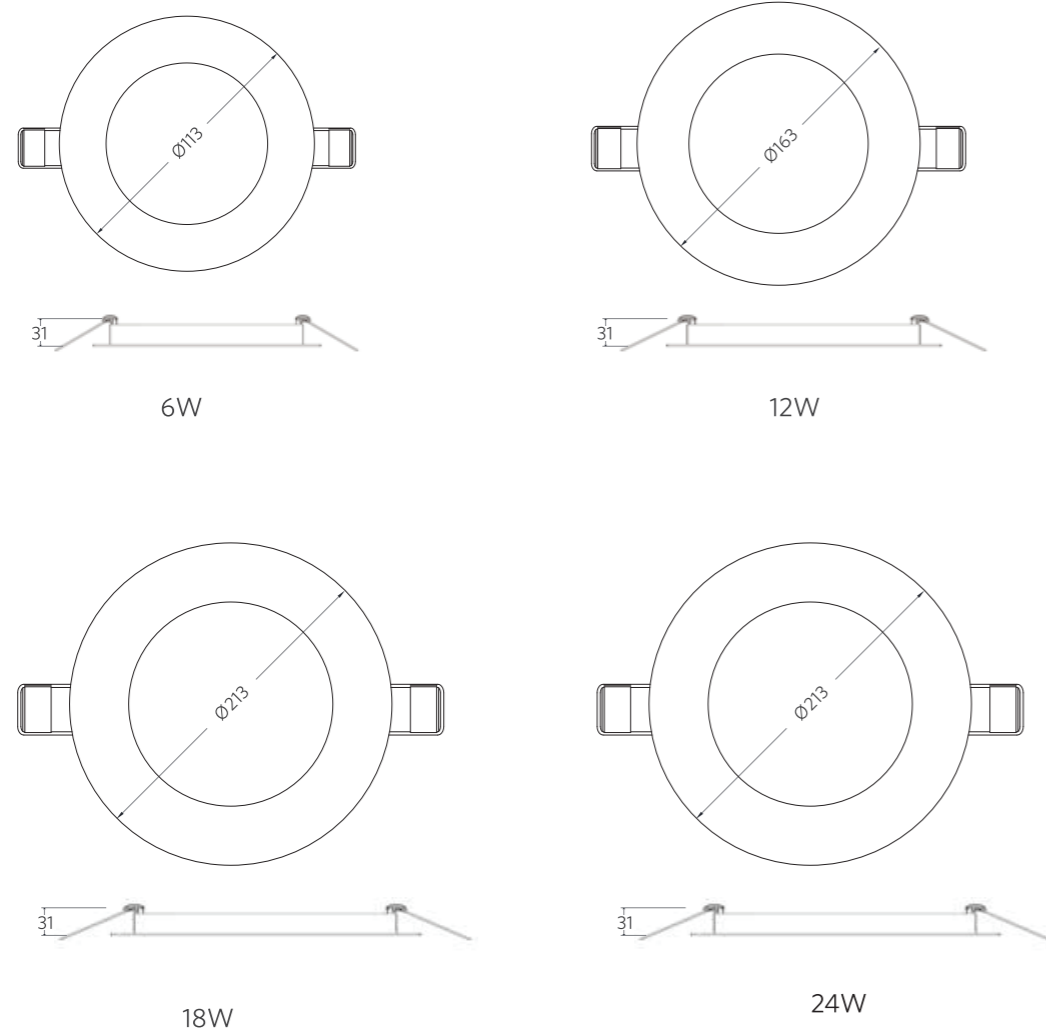


### Packaging Information

Item		Single Box(1pc/box)		Outer box		
Item Code	Item Description	Dimensions(mm) (LxWxH)	Gross Weight (kg)	Dimensions(mm) (LxWxH)	Gross Weight (kg)	Packing Qty (pc/unit)
140053269	LEDDownlightRc-ESII R100-6W-3000-WH-NV	132*132*55	0.21	303*282*308	4.16	20
140053270	LEDDownlightRc-ESII R100-6W-4000-WH-NV	132*132*55	0.21	303*282*308	4.16	20
140053271	LEDDownlightRc-ESII R100-6W-6000-WH-NV	132*132*55	0.21	303*282*308	4.16	20
140053272	LEDDownlightRc-ESII R150-12W-3000-WH-NV	190*190*53	0.41	571*212*213	4.14	10
140053273	LEDDownlightRc-ESII R150-12W-4000-WH-NV	190*190*53	0.41	571*212*213	4.14	10
140053274	LEDDownlightRc-ESII R150-12W-6000-WH-NV	190*190*53	0.41	571*212*213	4.14	10
140053275	LEDDownlightRc-ESII R200-18W-3000-WH-NV	248*248*55	0.67	591*273*271	6.69	10
140053276	LEDDownlightRc-ESII R200-18W-4000-WH-NV	248*248*55	0.67	591*273*271	6.69	10
140053277	LEDDownlightRc-ESII R200-18W-6000-WH-NV	248*248*55	0.67	591*273*271	6.69	10
140053278	LEDDownlightRc-ESII R200-24W-3000-WH-NV	248*248*55	0.67	591*273*271	6.69	10
140053279	LEDDownlightRc-ESII R200-24W-4000-WH-NV	248*248*55	0.67	591*273*271	6.69	10
140053280	LEDDownlightRc-ESII R200-24W-6000-WH-NV	248*248*55	0.67	591*273*271	6.69	10
140053281	LEDDownlightRc-ESII S100-6W-3000-WH-NV	150*150*55	0.23	335*317*308	4.56	20
140053282	LEDDownlightRc-ESII S100-6W-4000-WH-NV	150*150*55	0.23	335*317*308	4.56	20
140053283	LEDDownlightRc-ESII S100-6W-6000-WH-NV	150*150*55	0.23	335*317*308	4.56	20
140053284	LEDDownlightRc-ESII S150-12W-3000-WH-NV	210*210*53	0.42	570*233*231	4.21	10
140053285	LEDDownlightRc-ESII S150-12W-4000-WH-NV	210*210*53	0.42	570*233*231	4.21	10
140053286	LEDDownlightRc-ESII S150-12W-6000-WH-NV	210*210*53	0.42	570*233*231	4.21	10
140053287	LEDDownlightRc-ESII S200-18W-3000-WH-NV	273*273*55	0.77	590*296*294	7.68	10
140053288	LEDDownlightRc-ESII S200-18W-4000-WH-NV	273*273*55	0.77	590*296*294	7.68	10
140053289	LEDDownlightRc-ESII S200-18W-6000-WH-NV	273*273*55	0.77	590*296*294	7.68	10
140053290	LEDDownlightRc-ESII S200-24W-3000-WH-NV	273*273*55	0.77	590*296*294	7.68	10
140053291	LEDDownlightRc-ESII S200-24W-4000-WH-NV	273*273*55	0.77	590*296*294	7.68	10
140053292	LEDDownlightRc-ESII S200-24W-6000-WH-NV	273*273*55	0.77	590*296*294	7.68	10

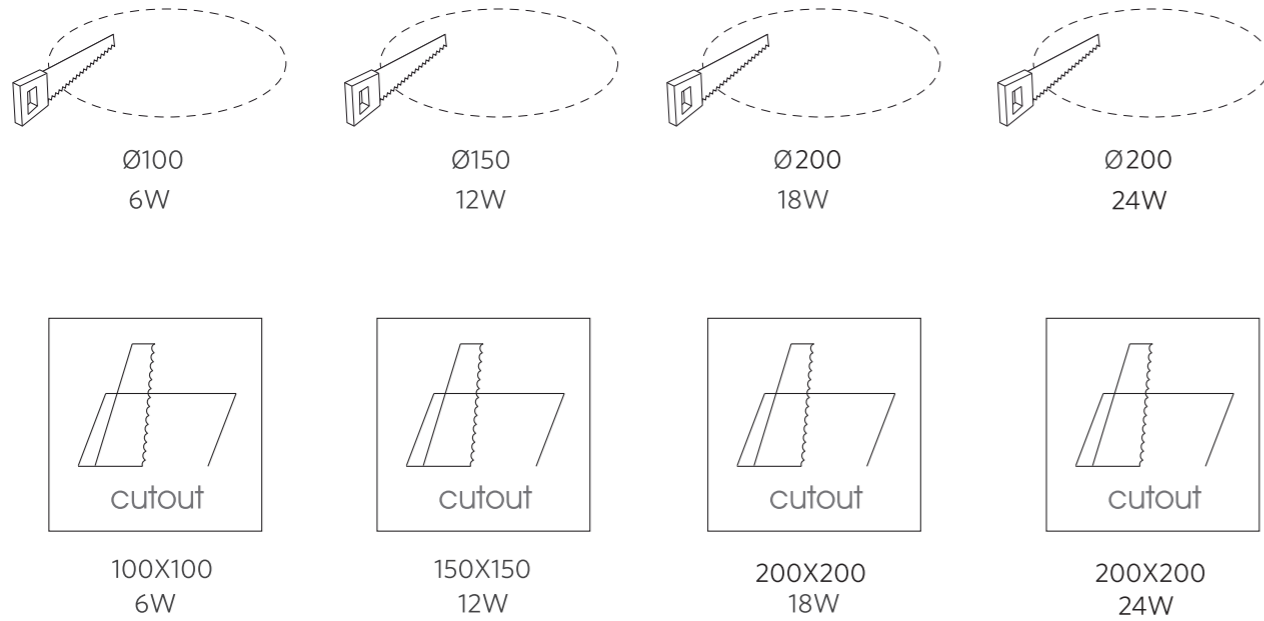
Item		Single Box(1pc/box)		Outer box		
Item Code	Item Description	Dimensions(mm) (LxWxH)	Gross Weight (kg)	Dimensions(mm) (LxWxH)	Gross Weight (kg)	Packing Qty (pc/unit)
140058004	LEDDownlightSm-ESII R100 WH-GP	120*120*63	0.173	620*500*410	20.76	120
140058005	LEDDownlightSm-ESII R150 WH-GP	170*170*63	0.261	700*530*410	18.792	72
140058006	LEDDownlightSm-ESII R200 WH-GP	220*220*63	0.369	680*500*410	13.284	36
140058007	LEDDownlightSm-ESII S100 WH-GP	120*120*63	0.191	620*500*410	22.92	120
140058008	LEDDownlightSm-ESII S150 WH-GP	170*170*63	0.297	700*530*410	21.384	72
140058009	LEDDownlightSm-ESII S200 WH-GP	220*220*63	0.433	680*500*410	15.588	36

## Dimensional Drawing

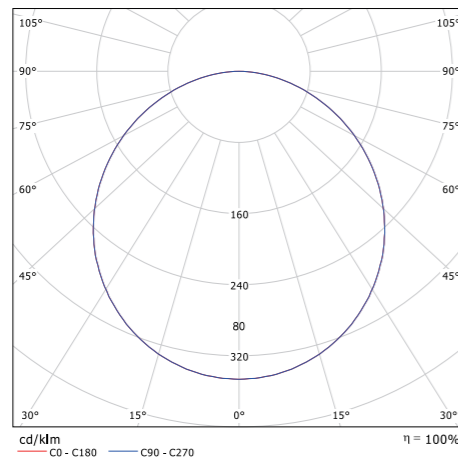


Type	A(mm)	B(mm)	C(mm)
LEDDL-Sm-ESII R100-WH-GP	115	/	60
LEDDL-Sm-ESII R150-WH-GP	165	/	60
LEDDL-Sm-ESII R200-WH-GP	215	/	60
LEDDL-Sm-ESII S100-WH-GP	115	115	60
LEDDL-Sm-ESII S150-WH-GP	165	165	60
LEDDL-Sm-ESII S200-WH-GP	215	215	60

## Cut-out Drawing



## Photometric Data



110° (6W/12W/18W/24W)



LED Slim Downlight EcoMax

### Features

- Looking good
- Flick free
- The right tech

### Benefits

- Beauty inside and outside
- Stress free ambient light
- More than 30Khrs lifespan
- High lumen output
- Flexible & Fits closer to ceiling

### Application



## Specification

Item Code	Item Description	Power (W)	Power Factor	Lumen (lm)	Efficacy (lm/W)	Input Current (mA)	CRI	CCT (K)	Lifetime (L70B50)	MOQ (pcs)	Remark
140049857	LEDDownlightRc-ES R100-6W-3000-WH-GP	6	0.5	380	63	100	≥80	3000	30Khrs	600	Wide Voltage
140049860	LEDDownlightRc-ES R100-6W-4000-WH-GP	6	0.5	400	67	100	≥80	4000	30Khrs	600	Wide Voltage
140049863	LEDDownlightRc-ES R100-6W-6000-WH-GP	6	0.5	420	70	100	≥80	6000	30Khrs	600	Wide Voltage
140049858	LEDDownlightRc-ES R150-12W-3000-WH-GP	12	0.5	880	73	230	≥80	3000	30Khrs	600	Wide Voltage
140049861	LEDDownlightRc-ES R150-12W-4000-WH-GP	12	0.5	920	77	230	≥80	4000	30Khrs	600	Wide Voltage
140049864	LEDDownlightRc-ES R150-12W-6000-WH-GP	12	0.5	930	78	230	≥80	6000	30Khrs	600	Wide Voltage
140049859	LEDDownlightRc-ES R175-18W-3000-WH-GP	18	0.5	1320	73	350	≥80	3000	30Khrs	600	Wide Voltage
140049862	LEDDownlightRc-ES R175-18W-4000-WH-GP	18	0.5	1350	75	350	≥80	4000	30Khrs	600	Wide Voltage
140049865	LEDDownlightRc-ES R175-18W-6000-WH-GP	18	0.5	1380	77	350	≥80	6000	30Khrs	600	Wide Voltage
140049866	LEDDownlightRc-ES S100-6W-3000-WH-GP	6	0.5	400	67	100	≥80	3000	30Khrs	600	Wide Voltage
140049869	LEDDownlightRc-ES S100-6W-4000-WH-GP	6	0.5	420	70	100	≥80	4000	30Khrs	600	Wide Voltage
140049872	LEDDownlightRc-ES S100-6W-6000-WH-GP	6	0.5	440	73	100	≥80	6000	30Khrs	600	Wide Voltage
140049867	LEDDownlightRc-ES S150-12W-3000-WH-GP	12	0.5	910	76	230	≥80	3000	30Khrs	600	Wide Voltage
140049870	LEDDownlightRc-ES S150-12W-4000-WH-GP	12	0.5	930	78	230	≥80	4000	30Khrs	600	Wide Voltage
140049873	LEDDownlightRc-ES S150-12W-6000-WH-GP	12	0.5	950	79	230	≥80	6000	30Khrs	600	Wide Voltage
140049868	LEDDownlightRc-ES S175-18W-3000-WH-GP	18	0.5	1340	74	350	≥80	3000	30Khrs	600	Wide Voltage
140049871	LEDDownlightRc-ES S175-18W-4000-WH-GP	18	0.5	1380	77	350	≥80	4000	30Khrs	600	Wide Voltage
140049874	LEDDownlightRc-ES S175-18W-6000-WH-GP	18	0.5	1420	79	350	≥80	6000	30Khrs	600	Wide Voltage
140051229	LEDDownlightRc-ES R100-6W-3000-WH-NV	6	0.5	360	60	64	≥80	3000	30Khrs	600	High Voltage
140051230	LEDDownlightRc-ES R100-6W-4000-WH-NV	6	0.5	380	63	64	≥80	4000	30Khrs	600	High Voltage
140051231	LEDDownlightRc-ES R100-6W-6000-WH-NV	6	0.5	400	67	64	≥80	6000	30Khrs	600	High Voltage
140051232	LEDDownlightRc-ES R150-12W-3000-WH-NV	12	0.5	800	67	120	≥80	3000	30Khrs	600	High Voltage
140051233	LEDDownlightRc-ES R150-12W-4000-WH-NV	12	0.5	850	71	120	≥80	4000	30Khrs	600	High Voltage
140051234	LEDDownlightRc-ES R150-12W-6000-WH-NV	12	0.5	880	73	120	≥80	6000	30Khrs	600	High Voltage



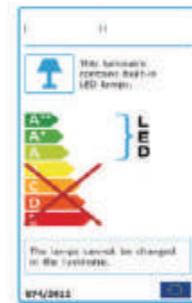
Item Code	Item Description	Power (W)	Power Factor	Lumen (lm)	Efficacy (lm/W)	Input Current (mA)	CRI	CCT (K)	Lifetime (L70B50)	MOQ (pcs)	Remark
140051235	LEDDownlightRc-ES R175-18W-3000-WH-NV	18	0.5	1200	67	150	≥80	3000	30Khrs	600	High Voltage
140051236	LEDDownlightRc-ES R175-18W-4000-WH-NV	18	0.5	1280	71	150	≥80	4000	30Khrs	600	High Voltage
140051237	LEDDownlightRc-ES R175-18W-6000-WH-NV	18	0.5	1320	73	150	≥80	6000	30Khrs	600	High Voltage
140051238	LEDDownlightRc-ES S100-6W-3000-WH-NV	6	0.5	380	63	64	≥80	3000	30Khrs	600	High Voltage
140051239	LEDDownlightRc-ES S100-6W-4000-WH-NV	6	0.5	400	67	64	≥80	4000	30Khrs	600	High Voltage
140051240	LEDDownlightRc-ES S100-6W-6000-WH-NV	6	0.5	420	70	64	≥80	6000	30Khrs	600	High Voltage
140051241	LEDDownlightRc-ES S150-12W-3000-WH-NV	12	0.5	820	68	120	≥80	3000	30Khrs	600	High Voltage
140051242	LEDDownlightRc-ES S150-12W-4000-WH-NV	12	0.5	870	73	120	≥80	4000	30Khrs	600	High Voltage
140051243	LEDDownlightRc-ES S150-12W-6000-WH-NV	12	0.5	900	75	120	≥80	6000	30Khrs	600	High Voltage
140051244	LEDDownlightRc-ES S175-18W-3000-WH-NV	18	0.5	1230	68	150	≥80	3000	30Khrs	600	High Voltage
140051245	LEDDownlightRc-ES S175-18W-4000-WH-NV	18	0.5	1320	73	150	≥80	4000	30Khrs	600	High Voltage
140051246	LEDDownlightRc-ES S175-18W-6000-WH-NV	18	0.5	1350	75	150	≥80	6000	30Khrs	600	High Voltage

Technical Specifications	
On / Off Cycles	50,000
Colour Consistency (SDCM)	6
Dimmable	No
Beam Angle (°)	110
Finishing Colour	White
IP	IP20,IP44 for exposed part
Driver Integrated (Yes/No)	No
Glow Wire Test	650°C
Driver Failure Rate	1% at 5000h
Weight (kg/pc)	0.15/0.25/0.34/0.18/0.32/0.43 /0.14/0.25/0.34/0.17/0.32/0.42

Electrical Supply	
Frequency (Hz)	50/60
Voltage (V)	100-240/220-240
AC/DC	AC
Mechanical Properties	
Housing Material	Metal
Optical Material	PMMA
Application Conditions	
Operating Temperature	-10~40°C
Application Temperature	25°C
Storage Environment	-25-50°C

**CE CB** for Wide Voltage

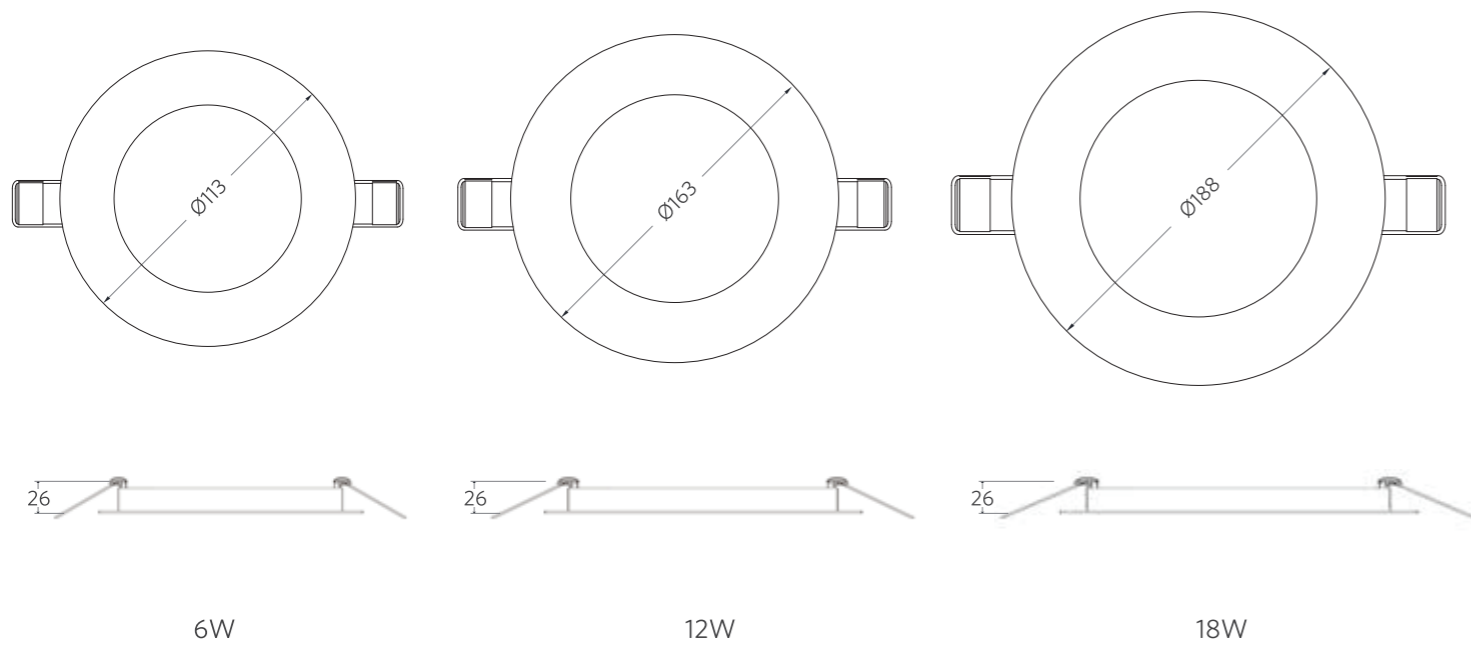
**IEC** Report for High Voltage



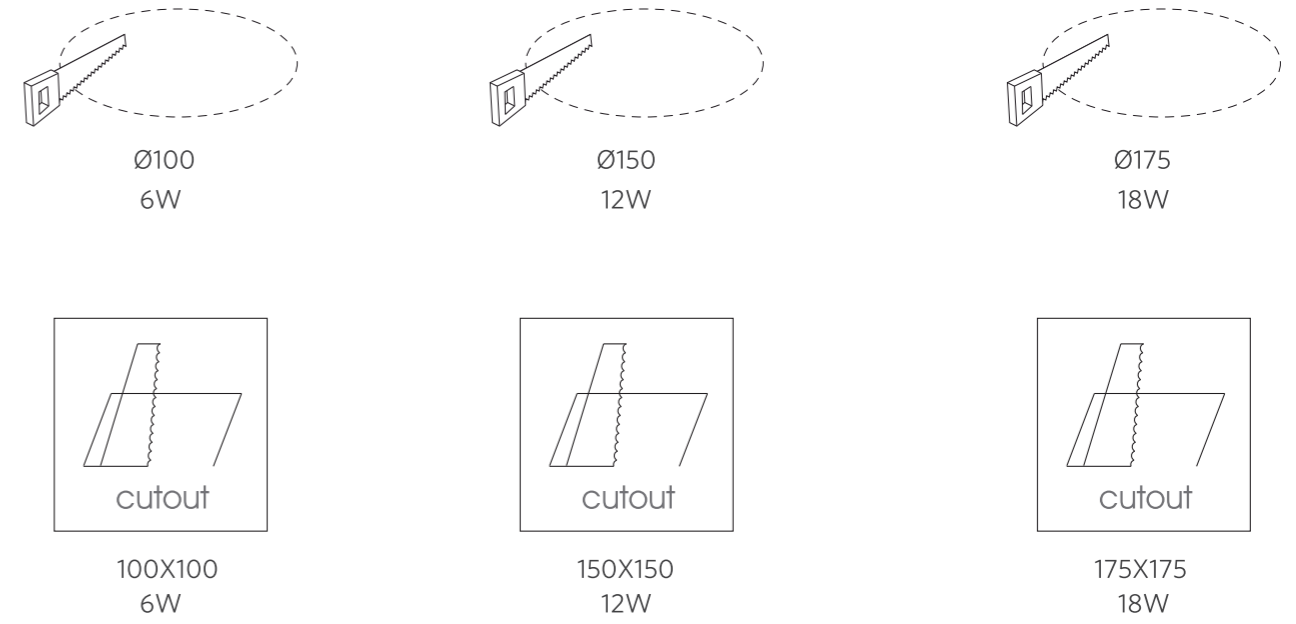
## Packaging Information

Item Code	Item Description	Single Box(1pc/box)		Packaging Unit		Remark	
		Dimensions(mm) (LxWxH)	Gross Weight (kg)	Dimensions(mm) (LxWxH)	Gross Weight (kg)		Packing Qty (pcs/CTN)
140049857	LEDDownlightRc-ES R100-6W-3000-WH-GP	172*132.5*50	0.26	556*362*282	10.52	40	Wide Voltage
140049860	LEDDownlightRc-ES R100-6W-4000-WH-GP	172*132.5*50	0.26	556*362*282	10.52	40	Wide Voltage
140049863	LEDDownlightRc-ES R100-6W-6000-WH-GP	172*132.5*50	0.26	556*362*282	10.52	40	Wide Voltage
140049858	LEDDownlightRc-ES R150-12W-3000-WH-GP	222*182.5*50	0.43	570*462*282	12.96	30	Wide Voltage
140049861	LEDDownlightRc-ES R150-12W-4000-WH-GP	222*182.5*50	0.43	570*462*282	12.96	30	Wide Voltage
140049864	LEDDownlightRc-ES R150-12W-6000-WH-GP	222*182.5*50	0.43	570*462*282	12.96	30	Wide Voltage
140049859	LEDDownlightRc-ES R175-18W-3000-WH-GP	257*227.5*50	0.54	532*474*282	10.84	20	Wide Voltage
140049862	LEDDownlightRc-ES R175-18W-4000-WH-GP	257*227.5*50	0.54	532*474*282	10.84	20	Wide Voltage
140049865	LEDDownlightRc-ES R175-18W-6000-WH-GP	257*227.5*50	0.54	532*474*282	10.84	20	Wide Voltage
140049866	LEDDownlightRc-ES S100-6W-3000-WH-GP	176*156.5*50	0.32	652*370*282	12.72	40	Wide Voltage
140049869	LEDDownlightRc-ES S100-6W-4000-WH-GP	176*156.5*50	0.32	652*370*282	12.72	40	Wide Voltage
140049872	LEDDownlightRc-ES S100-6W-6000-WH-GP	176*156.5*50	0.32	652*370*282	12.72	40	Wide Voltage
140049867	LEDDownlightRc-ES S150-12W-3000-WH-GP	226*206.5*50	0.52	642*470*282	15.45	30	Wide Voltage
140049870	LEDDownlightRc-ES S150-12W-4000-WH-GP	226*206.5*50	0.52	642*470*282	15.45	30	Wide Voltage
140049873	LEDDownlightRc-ES S150-12W-6000-WH-GP	226*206.5*50	0.52	642*470*282	15.45	30	Wide Voltage
140049868	LEDDownlightRc-ES S175-18W-3000-WH-GP	252*232.5*50	0.66	522*484*282	13.18	20	Wide Voltage
140049871	LEDDownlightRc-ES S175-18W-4000-WH-GP	252*232.5*50	0.66	522*484*282	13.18	20	Wide Voltage
140049874	LEDDownlightRc-ES S175-18W-6000-WH-GP	252*232.5*50	0.66	522*484*282	13.18	20	Wide Voltage
140051229	LEDDownlightRc-ES R100-6W-3000-WH-NV	172*132.5*50	0.25	556*362*282	10.04	40	High Voltage
140051230	LEDDownlightRc-ES R100-6W-4000-WH-NV	172*132.5*50	0.25	556*362*282	10.04	40	High Voltage
140051231	LEDDownlightRc-ES R100-6W-6000-WH-NV	172*132.5*50	0.25	556*362*282	10.04	40	High Voltage
140051232	LEDDownlightRc-ES R150-12W-3000-WH-NV	222*182.5*50	0.40	570*462*282	12.09	30	High Voltage
140051233	LEDDownlightRc-ES R150-12W-4000-WH-NV	222*182.5*50	0.40	570*462*282	12.09	30	High Voltage
140051234	LEDDownlightRc-ES R150-12W-6000-WH-NV	222*182.5*50	0.40	570*462*282	12.09	30	High Voltage
140051235	LEDDownlightRc-ES R175-18W-3000-WH-NV	257*227.5*50	0.51	532*474*282	10.24	20	High Voltage
140051236	LEDDownlightRc-ES R175-18W-4000-WH-NV	257*227.5*50	0.51	532*474*282	10.24	20	High Voltage
140051237	LEDDownlightRc-ES R175-18W-6000-WH-NV	257*227.5*50	0.51	532*474*282	10.24	20	High Voltage
140051238	LEDDownlightRc-ES S100-6W-3000-WH-NV	176*156.5*50	0.30	652*370*282	11.88	40	High Voltage
140051239	LEDDownlightRc-ES S100-6W-4000-WH-NV	176*156.5*50	0.30	652*370*282	11.88	40	High Voltage
140051240	LEDDownlightRc-ES S100-6W-6000-WH-NV	176*156.5*50	0.30	652*370*282	11.88	40	High Voltage
140051241	LEDDownlightRc-ES S150-12W-3000-WH-NV	226*206.5*50	0.49	642*470*282	14.64	30	High Voltage
140051242	LEDDownlightRc-ES S150-12W-4000-WH-NV	226*206.5*50	0.49	642*470*282	14.64	30	High Voltage
140051243	LEDDownlightRc-ES S150-12W-6000-WH-NV	226*206.5*50	0.49	642*470*282	14.64	30	High Voltage
140051244	LEDDownlightRc-ES S175-18W-3000-WH-NV	252*232.5*50	0.61	522*484*282	12.22	20	High Voltage
140051245	LEDDownlightRc-ES S175-18W-4000-WH-NV	252*232.5*50	0.61	522*484*282	12.22	20	High Voltage
140051246	LEDDownlightRc-ES S175-18W-6000-WH-NV	252*232.5*50	0.61	522*484*282	12.22	20	High Voltage

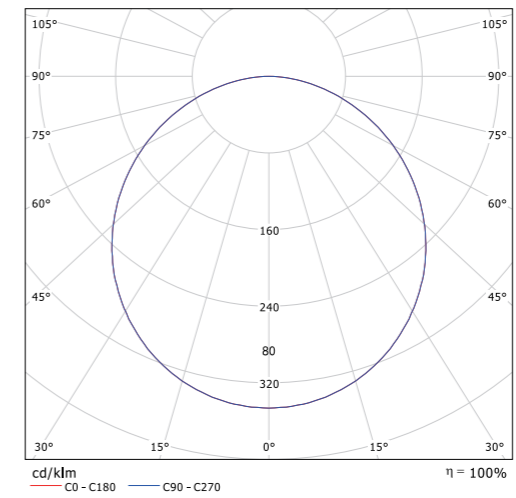
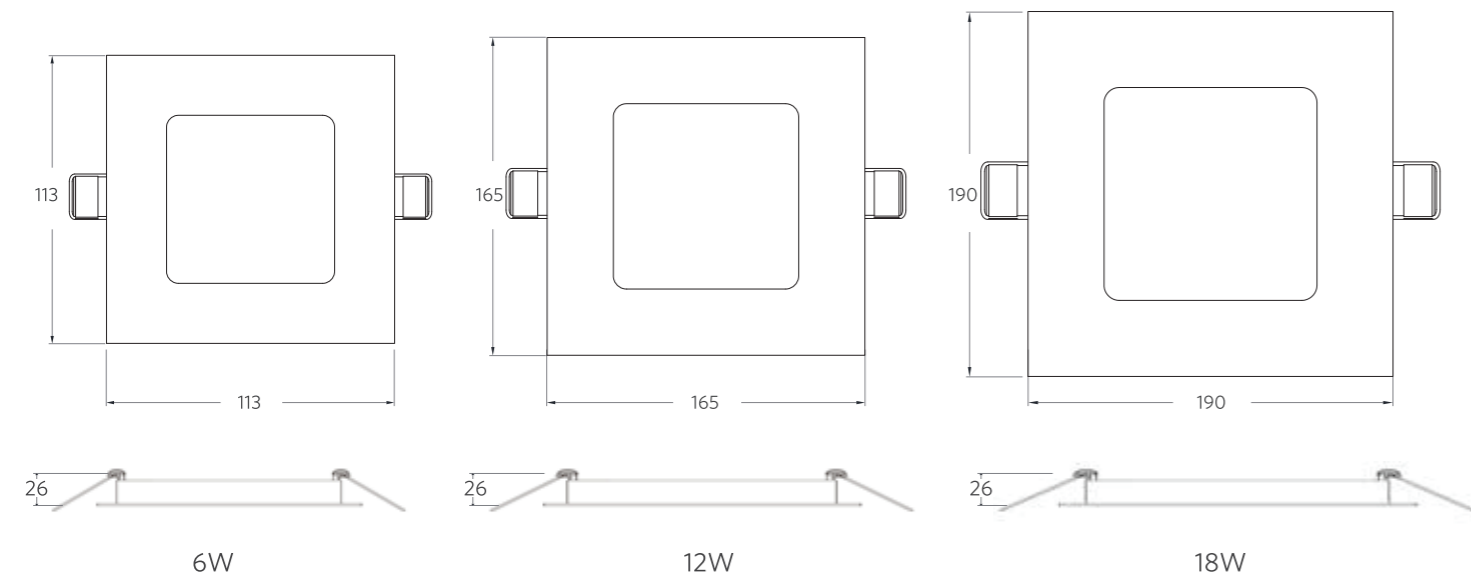
## Dimensional Drawing

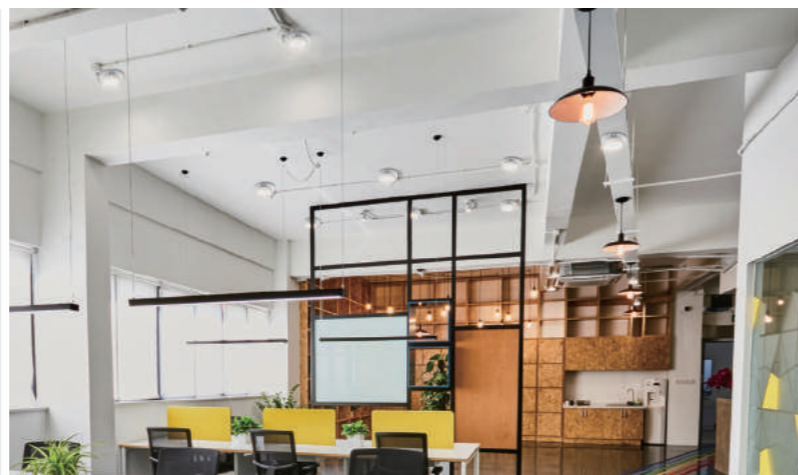


## Cut-out Drawing



## Photometric Data





LED Slim Downlight Ecomax II SM

Technical Specifications	
CRI	80
Colour Consistency (SDCM)	≤5
Dimmable	No
Housing Colour	White
IP	IP20
IK	IK02
Driver integrated (Yes/No)	Yes
Glow wire test	650°C
Driver failure rate	1% at 5000h
Weight (pc/kg)	0.187/0.322/0.557/0.557 0.227/0.387/0.687/0.687

Electrical Supply	
Frequency (Hz)	50/60
Voltage (V)	220-240V
AC/DC	AC

Mechanical Properties	
Housing Material	PP+Iron
Optical Material	PMMA

Application Conditions	
Operating Temperature	-15-45°C
Application Temperature	25°C
Storage Environment	-25-50°C



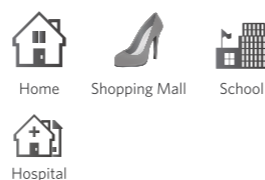
### Features

- High Lumen Output
- Long lifespan
- Easy Installation
- Looking Good

### Benefits

- Up to 50% energy saving compared to conventional downlight
- Lasts 3 times longer than conventional downlight , up to 30000hrs lifetime
- Light housing and driver on board design ensure 1 step plug-and-play
- A slim , stylish body gives this luminaire a modern aesthetic that brings beauty to any space

### Application



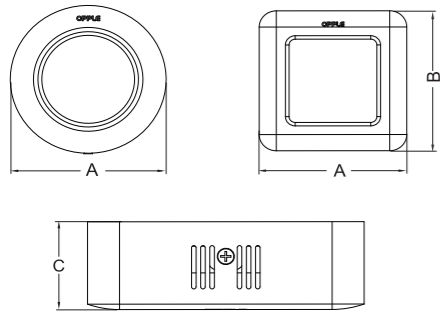
### Specification

Item Code	Item Description	Power (W)	Power Factor	Lumen (lm)	Efficacy (lm/W)	Input Current (mA)	Lifetime (L70B50)	MOQ (pcs)
540002000510	LEDDownlightSm-ESII R100-6W-3000-WH-NV	6	0.5	450	75	45	30000	600
540002002510	LEDDownlightSm-ESII R100-6W-4000-WH-NV	6	0.5	450	75	45	30000	600
540002001710	LEDDownlightSm-ESII R100-6W-6000-WH-NV	6	0.5	450	75	45	30000	600
540002001910	LEDDownlightSm-ESII R150-12W-3000-WH-NV	12	0.5	1000	83	90	30000	600
540002001210	LEDDownlightSm-ESII R150-12W-4000-WH-NV	12	0.5	1000	83	90	30000	600
540002002110	LEDDownlightSm-ESII R150-12W-6000-WH-NV	12	0.5	1000	83	90	30000	600
540002002610	LEDDownlightSm-ESII R200-18W-3000-WH-NV	18	0.5	1500	83	135	30000	600
540002000310	LEDDownlightSm-ESII R200-18W-4000-WH-NV	18	0.5	1500	83	135	30000	600
540002001810	LEDDownlightSm-ESII R200-18W-6000-WH-NV	18	0.5	1500	83	135	30000	600
540002000610	LEDDownlightSm-ESII R200-24W-3000-WH-NV	24	0.5	2000	83	180	30000	600
540002000410	LEDDownlightSm-ESII R200-24W-4000-WH-NV	24	0.5	2000	83	180	30000	600
540002001510	LEDDownlightSm-ESII R200-24W-6000-WH-NV	24	0.5	2000	83	180	30000	600
540002000810	LEDDownlightSm-ESII S100-6W-3000-WH-NV	6	0.5	450	75	45	30000	600
540002002010	LEDDownlightSm-ESII S100-6W-4000-WH-NV	6	0.5	450	75	45	30000	600
540002001310	LEDDownlightSm-ESII S100-6W-6000-WH-NV	6	0.5	450	75	45	30000	600
540002001010	LEDDownlightSm-ESII S150-12W-3000-WH-NV	12	0.5	1000	83	90	30000	600
540002001410	LEDDownlightSm-ESII S150-12W-4000-WH-NV	12	0.5	1000	83	90	30000	600
540002002310	LEDDownlightSm-ESII S150-12W-6000-WH-NV	12	0.5	1000	83	90	30000	600
540002002410	LEDDownlightSm-ESII S200-18W-3000-WH-NV	18	0.5	1500	83	135	30000	600
540002001610	LEDDownlightSm-ESII S200-18W-4000-WH-NV	18	0.5	1500	83	135	30000	600
540002002210	LEDDownlightSm-ESII S200-18W-6000-WH-NV	18	0.5	1500	83	135	30000	600
540002000710	LEDDownlightSm-ESII S200-24W-3000-WH-NV	24	0.5	2000	83	180	30000	600
540002001110	LEDDownlightSm-ESII S200-24W-4000-WH-NV	24	0.5	2000	83	180	30000	600
540002000910	LEDDownlightSm-ESII S200-24W-6000-WH-NV	24	0.5	2000	83	180	30000	600

### Packaging Information

Item Code	Item Description	Single Box(1pc/box)		Outer box		
		Dimensions(mm) (LxWxH)	Gross Weight (kg)	Dimensions(mm) (LxWxH)	Gross Weight (kg)	Packing Qty (pcs/CTN)
540002000510	LEDDownlightSm-ESII R100-6W-3000-WH-NV	129*46*132	0.248	405*250*285	7.44	30
540002002510	LEDDownlightSm-ESII R100-6W-4000-WH-NV	129*46*132	0.248	405*250*285	7.44	30
540002001710	LEDDownlightSm-ESII R100-6W-6000-WH-NV	129*46*132	0.248	405*250*285	7.44	30
540002001910	LEDDownlightSm-ESII R150-12W-3000-WH-NV	171*46*174	0.418	360*250*370	8.36	20
540002001210	LEDDownlightSm-ESII R150-12W-4000-WH-NV	171*46*174	0.418	360*250*370	8.36	20
540002002110	LEDDownlightSm-ESII R150-12W-6000-WH-NV	171*46*174	0.418	360*250*370	8.36	20
540002002610	LEDDownlightSm-ESII R200-18W-3000-WH-NV	228*46*231	0.715	470*250*250	7.15	10
540002000310	LEDDownlightSm-ESII R200-18W-4000-WH-NV	228*46*231	0.715	470*250*250	7.15	10
540002001810	LEDDownlightSm-ESII R200-18W-6000-WH-NV	228*46*231	0.715	470*250*250	7.15	10
540002000610	LEDDownlightSm-ESII R200-24W-3000-WH-NV	228*46*231	0.715	470*250*250	7.15	10
540002000410	LEDDownlightSm-ESII R200-24W-4000-WH-NV	228*46*231	0.715	470*250*250	7.15	10
540002001510	LEDDownlightSm-ESII R200-24W-6000-WH-NV	228*46*231	0.715	470*250*250	7.15	10
540002000810	LEDDownlightSm-ESII S100-6W-3000-WH-NV	129*46*132	0.288	405*250*285	8.64	30
540002002010	LEDDownlightSm-ESII S100-6W-4000-WH-NV	129*46*132	0.288	405*250*285	8.64	30
540002001310	LEDDownlightSm-ESII S100-6W-6000-WH-NV	129*46*132	0.288	405*250*285	8.64	30
540002001010	LEDDownlightSm-ESII S150-12W-3000-WH-NV	171*46*174	0.483	360*250*370	9.66	20
540002001410	LEDDownlightSm-ESII S150-12W-4000-WH-NV	171*46*174	0.483	360*250*370	9.66	20
540002002310	LEDDownlightSm-ESII S150-12W-6000-WH-NV	171*46*174	0.483	360*250*370	9.66	20
540002002410	LEDDownlightSm-ESII S200-18W-3000-WH-NV	228*46*231	0.845	470*250*250	8.45	10
540002001610	LEDDownlightSm-ESII S200-18W-4000-WH-NV	228*46*231	0.845	470*250*250	8.45	10
540002002210	LEDDownlightSm-ESII S200-18W-6000-WH-NV	228*46*231	0.845	470*250*250	8.45	10
540002000710	LEDDownlightSm-ESII S200-24W-3000-WH-NV	228*46*231	0.845	470*250*250	8.45	10
540002001110	LEDDownlightSm-ESII S200-24W-4000-WH-NV	228*46*231	0.845	470*250*250	8.45	10
540002000910	LEDDownlightSm-ESII S200-24W-6000-WH-NV	228*46*231	0.845	470*250*250	8.45	10

## Dimensional Drawing



	A(mm)	C(mm)
LED DL-SF-ESII R100 6W	Ø124	40
LED DL-SF-ESII R150 12W	Ø166	40
LED DL-SF-ESII R200 18W	Ø223	40
LED DL-SF-ESII R200 24W	Ø223	40

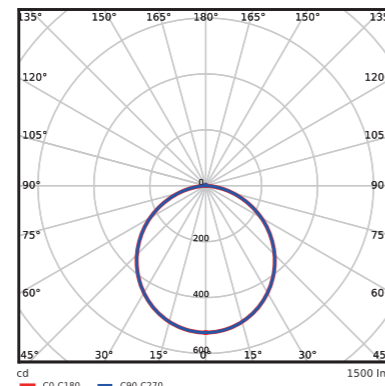
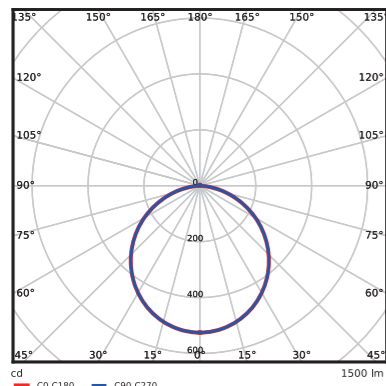
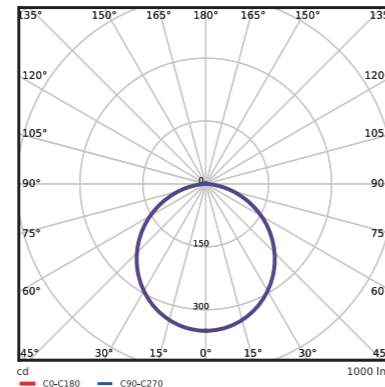
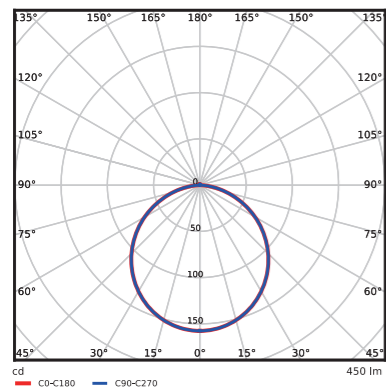
  

	A(mm)	B(mm)	C(mm)
LED DL-SF-ESII S100 6W	124	124	40
LED DL-SF-ESII S150 12W	166	166	40
LED DL-SF-ESII S200 18W	223	223	40
LED DL-SF-ESII S200 24W	223	223	40



## LED Downlight Utility

## Photometric Data



## Features

- Flicker Free
- Easy Installation
- Energy Saving

## Benefits

- Light without flicker reduces stress while working/living underneath
- Light housing and driver on board design ensure 1 step plug-and-play
- Up to 60% energy savings from CFL downlight

## Application



## Specification

Item Code	Item Description	Power (W)	Power Factor	Lumen (lm)	Efficacy (lm/W)	Input Current (mA)	CRI	Lifetime (L70B50)	MOQ (pcs)
140059662	LEDDownlightRc-Utl-R100-6W-3000-WH-NVV	6	0.5	340	56.67	45	>70	15000	1000
140059663	LEDDownlightRc-Utl-R100-6W-4000-WH-NVV	6	0.5	370	61.67	45	>70	15000	1000
140059664	LEDDownlightRc-Utl-R100-6W-6000-WH-NVV	6	0.5	370	61.67	45	>70	15000	1000
140059665	LEDDownlightRc-Utl-R150-12W-3000-WH-NV	12	0.5	740	61.67	90	>70	15000	1000
140059666	LEDDownlightRc-Utl-R150-12W-4000-WH-NV	12	0.5	800	66.67	90	>70	15000	1000
140059667	LEDDownlightRc-Utl-R150-12W-6000-WH-NV	12	0.5	800	66.67	90	>70	15000	1000
140058544	LEDDownlightRc-Utl-R200-18W-3000-WH-NV	18	0.5	1140	63.33	150	>70	15000	1000
140058546	LEDDownlightRc-Utl-R200-18W-4000-WH-NV	18	0.5	1200	66.67	150	>70	15000	1000
140058547	LEDDownlightRc-Utl-R200-18W-6000-WH-NV	18	0.5	1200	66.67	150	>70	15000	1000

### Technical Specifications

Colour Consistency (SDCM)	6
Dimmable	No
Finishing Colour	White
IP	IP20
IK	IK02
Driver Integrated (Yes/No)	No
Glow Wire Test	650°C
Driver Failure Rate	1% at 5000h
Weight (kg/pc)	0.145/0.264/0.387

### Electrical Supply

Frequency (Hz)	50/60
Voltage (V)	220-240
AC/DC	AC

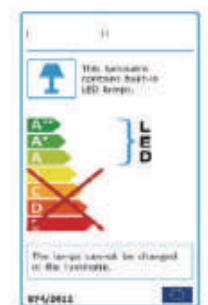
### Mechanical Properties

Housing Material	PC
Optical Material	PP

### Application Conditions

Operating Temperature	-25-50°C
Application Temperature	25°C
Storage Environment	-25-50°C

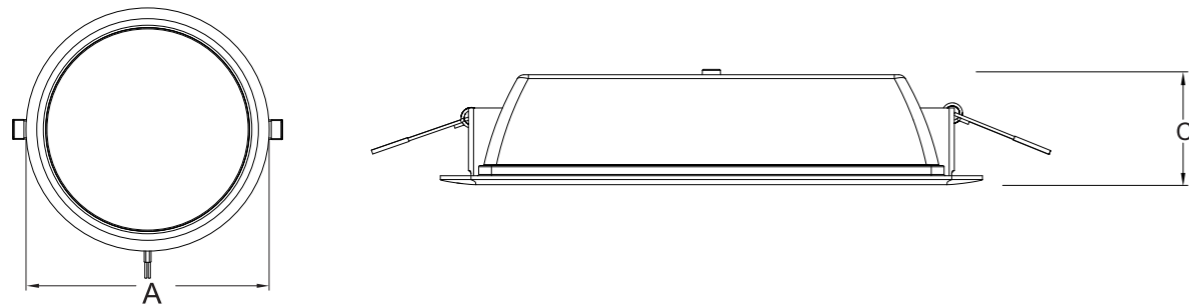
CE CB



## Packaging Information

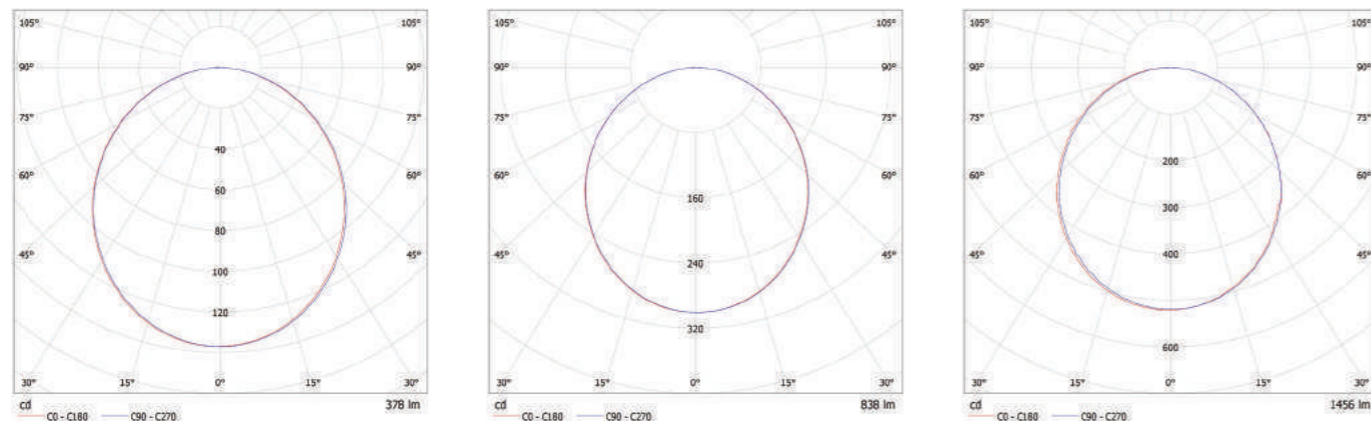
Item Code	Item Description	Single Box(1pc/box)		Packaging Unit		
		Dimensions(mm) (LxWxH)	Gross Weight (kg)	Dimensions(mm) (LxWxH)	Gross Weight (kg)	Packing Qty (pcs/unit)
140059662	LEDDownlightRc-Utl-R100-6W-3000-WH-NVV	136*117*55	0.145	460*248*154	2.32	16
140059663	LEDDownlightRc-Utl-R100-6W-4000-WH-NVV	136*117*55	0.145	460*248*154	2.32	16
140059664	LEDDownlightRc-Utl-R100-6W-6000-WH-NVV	136*117*55	0.145	460*248*154	2.32	16
140059665	LEDDownlightRc-Utl-R150-12W-3000-WH-NV	184*167*62	0.264	453*348*202	3.696	14
140059666	LEDDownlightRc-Utl-R150-12W-4000-WH-NV	184*167*62	0.264	453*348*202	3.696	14
140059667	LEDDownlightRc-Utl-R150-12W-6000-WH-NV	184*167*62	0.264	453*348*202	3.696	14
140058544	LEDDownlightRc-Utl-R200-18W-3000-WH-NV	235*218*66	0.387	694*230*255	3.87	10
140058546	LEDDownlightRc-Utl-R200-18W-4000-WH-NV	235*218*66	0.387	694*230*255	3.87	10
140058547	LEDDownlightRc-Utl-R200-18W-6000-WH-NV	235*218*66	0.387	694*230*255	3.87	10

## Dimensional Drawing



Type	A(mm)	C(mm)
LED DL-RC-Utl R100 6W-NV	Ø112	38
LED DL-RC-Utl R200 12W-NV	Ø162	45
LED DL-RC-Utl R200 18W-NV	Ø213	45

## Photometric Data



6W

12W

18W



## LED Downlight & Spotlight HS

### Features

- Clean beam
- Comfortable light
- Easy to use
- Energy saving

### Benefits

- Innovative TIR lens offers clean beam light free of multiple shadows for professional accent lighting
- Light without flicker reduces stress while working/living underneath
- Spring bracket ensure 1 step plug-and-play installation
- Up to 85% energy saving compared with 35W&50W halogen spot, perfect choice to replace traditional spot lamp

### Application



### Specification

Item Code	Item Description	Power (W)	Power Factor	Lumen (lm)	Efficacy (lm/W)	Input Current (mA)	CRI	CCT (K)	Lifetime (L70B50)	MOQ (pcs)
140053687	LEDSpotlightRc-HS R70-4.5W-3000-WH-GP	4.5	0.5	300	67	67	>80	3000	20000	1000
140053688	LEDSpotlightRc-HS R70-4.5W-4000-WH-GP	4.5	0.5	300	67	67	>80	4000	20000	1000
140053689	LEDSpotlightRc-HS R70-4.5W-5700-WH-GP	4.5	0.5	300	67	67	>80	5700	20000	1000
140053684	LEDDownlightRc-HS R70-4.5W-3000-WH-GP	4.5	0.5	250	56	56	>80	3000	20000	1000
140053685	LEDDownlightRc-HS R70-4.5W-4000-WH-GP	4.5	0.5	250	56	56	>80	4000	20000	1000
140053686	LEDDownlightRc-HS R70-4.5W-5700-WH-GP	4.5	0.5	250	56	56	>80	5700	20000	1000
140060674	LEDSpotRF-HS 7W-3000-36D-WH-GP	7	0.5	460	67	45	>80	3000	20000	1000
140060675	LEDSpotRF-HS 7W-4000-36D-WH-GP	7	0.5	460	67	45	>80	4000	20000	1000
140060676	LEDSpotRF-HS 7W-5700-36D-WH-GP	7	0.5	460	67	45	>80	5700	20000	1000
140060671	LEDSpotRF-HS 7W-3000-36D-GD-GP	7	0.5	460	67	45	>80	3000	20000	1000
140060672	LEDSpotRF-HS 7W-4000-36D-GD-GP	7	0.5	460	67	45	>80	4000	20000	1000
140060673	LEDSpotRF-HS 7W-5700-36D-GD-GP	7	0.5	460	67	45	>80	5700	20000	1000
140060668	LEDSpotRF-HS 7W-3000-36D-SL-GP	7	0.5	460	67	45	>80	3000	20000	1000
140060669	LEDSpotRF-HS 7W-4000-36D-SL-GP	7	0.5	460	67	45	>80	4000	20000	1000
140060670	LEDSpotRF-HS 7W-5700-36D-SL-GP	7	0.5	460	67	45	>80	5700	20000	1000
140062765	LEDSpotlightRA-HS R70-4.5W-3000-WH-GP	4.5	0.5	300	67	40	>80	3000	20000	1000
140062766	LEDSpotlightRA-HS R70-4.5W-4000-WH-GP	4.5	0.5	330	73	40	>80	4000	20000	1000
140062767	LEDSpotlightRA-HS R70-4.5W-5700-WH-GP	4.5	0.5	330	73	40	>80	5700	20000	1000
140063432	LEDSpotlightRA-HS R70-4.5W-3000-GD-GP	4.5	0.5	300	67	40	>80	3000	20000	1000
140063433	LEDSpotlightRA-HS R70-4.5W-4000-GD-GP	4.5	0.5	330	73	40	>80	4000	20000	1000
140063434	LEDSpotlightRA-HS R70-4.5W-5700-GD-GP	4.5	0.5	330	73	40	>80	5700	20000	1000
140063435	LEDSpotlightRA-HS R70-4.5W-3000-SL-GP	4.5	0.5	300	67	40	>80	3000	20000	1000
140063436	LEDSpotlightRA-HS R70-4.5W-4000-SL-GP	4.5	0.5	330	73	40	>80	4000	20000	1000
140063437	LEDSpotlightRA-HS R70-4.5W-5700-SL-GP	4.5	0.5	330	73	40	>80	5700	20000	1000
140063441	LEDSpotlightRA-HS R70-7W-3000-WH-GP	7	0.5	400	57	52	>80	3000	20000	1000
140063442	LEDSpotlightRA-HS R70-7W-4000-WH-GP	7	0.5	430	61	52	>80	4000	20000	1000
140063443	LEDSpotlightRA-HS R70-7W-5700-WH-GP	7	0.5	430	61	52	>80	5700	20000	1000
140063444	LEDSpotlightRA-HS R70-7W-3000-GD-GP	7	0.5	400	57	52	>80	3000	20000	1000
140063445	LEDSpotlightRA-HS R70-7W-4000-GD-GP	7	0.5	430	61	52	>80	4000	20000	1000
140063446	LEDSpotlightRA-HS R70-7W-5700-GD-GP	7	0.5	430	61	52	>80	5700	20000	1000
140063438	LEDSpotlightRA-HS R70-7W-3000-SL-GP	7	0.5	400	57	52	>80	3000	20000	1000
140063439	LEDSpotlightRA-HS R70-7W-4000-SL-GP	7	0.5	430	61	52	>80	4000	20000	1000
140063440	LEDSpotlightRA-HS R70-7W-5700-SL-GP	7	0.5	430	61	52	>80	5700	20000	1000

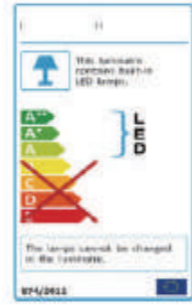
Technical Specifications	Downlight	Spotlight
On / Off Cycles	50000	50000
Colour Consistency (SDCM) ≤6	≤6	≤6
Dimmable	No	No
Beam Angle (°)	90	36
Finishing Colour	White	White/ Gold/ Silver
IP	IP20	IP20
Driver Integrated (Yes/No)	Yes	Yes
Driver Failure Rate	1% at 50000h	1% at 50000h
Weight (kg/pc)	0.056	0.072/ 0.08/ 0.09

Electrical Supply	Downlight	Spotlight
Frequency (Hz)	50/60	50/60
Voltage (V)	220-240V	220-240V
AC/DC	AC	AC

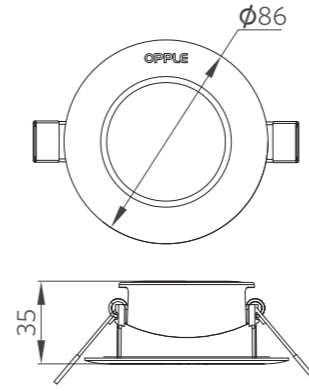
Mechanical Properties	Downlight	Spotlight
Housing Material	PC	PA+Aluminum
Optical Material	PMMA	PC

Application Conditions	Downlight	Spotlight
Operating Temperature	-10 ~ +40°C	-10 ~ +40°C
Application Temperature	25°C	25°C
Storage Environment	-25 ~ +50°C	-25 ~ +50°C

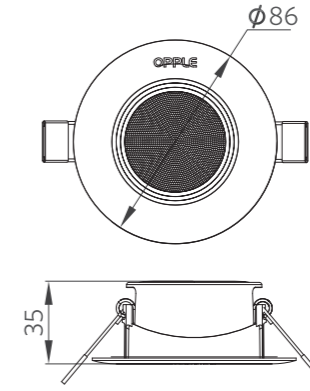
CE CB



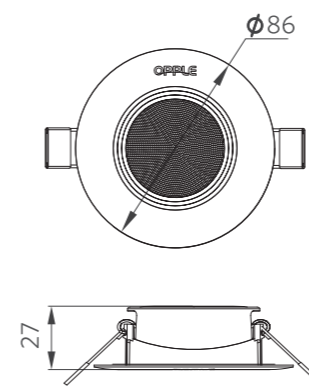
Dimensional Drawing



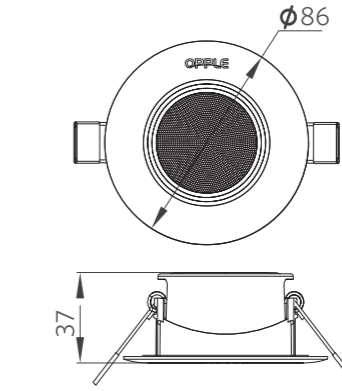
4.5W Downlight



4.5W Fixed Spotlight



7W Fixed Spotlight

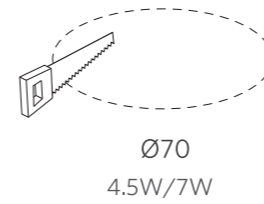


4.5W/7W Adjustable Spotlight

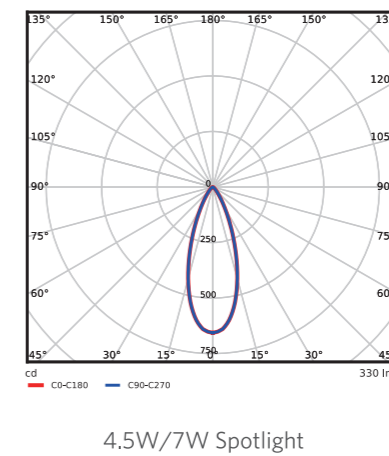
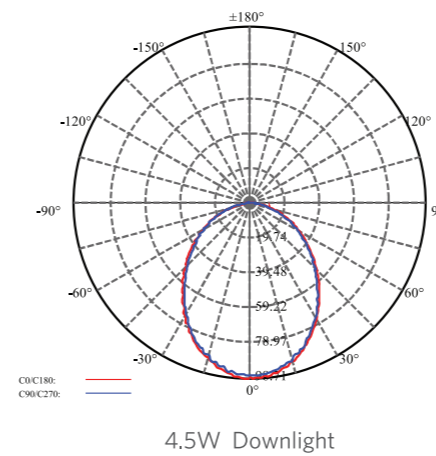
Packaging Information

Item Code	Item Description	Single Box(1pc/box)		Outer box		
		Dimensions(mm) (LxWxH)	Gross Weight (kg)	Dimensions(mm) (LxWxH)	Gross Weight (kg)	BOX QTY (pcs/unit)
140053687	LEDSpotlightRc-HS R70-4.5W-3000-WH-GP	94*94*56	0.12	481*293*186	5.27	45
140053688	LEDSpotlightRc-HS R70-4.5W-4000-WH-GP	94*94*56	0.12	481*293*186	5.27	45
140053689	LEDSpotlightRc-HS R70-4.5W-5700-WH-GP	94*94*56	0.12	481*293*186	5.27	45
140053684	LEDDownlightRc-HS R70-4.5W-3000-WH-GP	94*94*56	0.10	481*293*186	4.55	45
140053685	LEDDownlightRc-HS R70-4.5W-4000-WH-GP	94*94*56	0.10	481*293*186	4.55	45
140053686	LEDDownlightRc-HS R70-4.5W-5700-WH-GP	94*94*56	0.10	481*293*186	4.55	45
140060674	LEDSpotRF-HS 7W-3000-36D-WH-GP	94*94*56	0.11	394*299*189	3.89	36
140060675	LEDSpotRF-HS 7W-4000-36D-WH-GP	94*94*56	0.11	394*299*189	3.89	36
140060676	LEDSpotRF-HS 7W-5700-36D-WH-GP	94*94*56	0.11	394*299*189	3.89	36
140060671	LEDSpotRF-HS 7W-3000-36D-GD-GP	94*94*56	0.11	394*299*189	3.89	36
140060672	LEDSpotRF-HS 7W-4000-36D-GD-GP	94*94*56	0.11	394*299*189	3.89	36
140060673	LEDSpotRF-HS 7W-5700-36D-GD-GP	94*94*56	0.11	394*299*189	3.89	36
140060668	LEDSpotRF-HS 7W-3000-36D-SL-GP	94*94*56	0.11	394*299*189	3.89	36
140060669	LEDSpotRF-HS 7W-4000-36D-SL-GP	94*94*56	0.11	394*299*189	3.89	36
140060670	LEDSpotRF-HS 7W-5700-36D-SL-GP	94*94*56	0.11	394*299*189	3.89	36
140062765	LEDSpotlightRA-HS R70-4.5W-3000-WH-GP	90*90*56	0.13	465*285*190	5.85	45
140062766	LEDSpotlightRA-HS R70-4.5W-4000-WH-GP	90*90*56	0.13	465*285*190	5.85	45
140062767	LEDSpotlightRA-HS R70-4.5W-5700-WH-GP	90*90*56	0.13	465*285*190	5.85	45
140063432	LEDSpotlightRA-HS R70-4.5W-3000-GD-GP	90*90*56	0.13	465*285*190	5.85	45
140063433	LEDSpotlightRA-HS R70-4.5W-4000-GD-GP	90*90*56	0.13	465*285*190	5.85	45
140063434	LEDSpotlightRA-HS R70-4.5W-5700-GD-GP	90*90*56	0.13	465*285*190	5.85	45
140063435	LEDSpotlightRA-HS R70-4.5W-3000-SL-GP	90*90*56	0.13	465*285*190	5.85	45
140063436	LEDSpotlightRA-HS R70-4.5W-4000-SL-GP	90*90*56	0.13	465*285*190	5.85	45
140063437	LEDSpotlightRA-HS R70-4.5W-5700-SL-GP	90*90*56	0.13	465*285*190	5.85	45
140063441	LEDSpotlightRA-HS R70-7W-3000-WH-GP	90*90*56	0.13	465*285*190	5.85	45
140063442	LEDSpotlightRA-HS R70-7W-4000-WH-GP	90*90*56	0.13	465*285*190	5.85	45
140063443	LEDSpotlightRA-HS R70-7W-5700-WH-GP	90*90*56	0.13	465*285*190	5.85	45
140063444	LEDSpotlightRA-HS R70-7W-3000-GD-GP	90*90*56	0.13	465*285*190	5.85	45
140063445	LEDSpotlightRA-HS R70-7W-4000-GD-GP	90*90*56	0.13	465*285*190	5.85	45
140063446	LEDSpotlightRA-HS R70-7W-5700-GD-GP	90*90*56	0.13	465*285*190	5.85	45
140063438	LEDSpotlightRA-HS R70-7W-3000-SL-GP	90*90*56	0.13	465*285*190	5.85	45
140063439	LEDSpotlightRA-HS R70-7W-4000-SL-GP	90*90*56	0.13	465*285*190	5.85	45
140063440	LEDSpotlightRA-HS R70-7W-5700-SL-GP	90*90*56	0.13	465*285*190	5.85	45

Cut-out Drawing



Photometric Data



# OPPLE LED SPOTLIGHT

OPPLE



## LED Spotlight High Performer

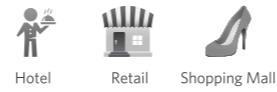
### Features

- 1-10V dimming
- Secondary reflector, UGR < 10
- Tilt 30°
- Multiple light filter and reflector options: 10°, 15°, 20°, or 30°

### Benefits

- Tune light intensity to suit your environment or the time of day
- Glare free, visually comfortable light for working, living and learning
- Light where you need it
- Enhanced control over lighting design

### Application



### Specification

Item Code	Item Description	Power (W)	Power Factor	Lumen (lm)	Efficacy (lm/W)	Input Current (mA)	CRI	UGR	CCT (K)	Lifetime (L70B50)	MOQ (pcs)
140048350	LEDspotRA-HP 16W-Dim-3000-10D-AL-GP	16	0.90	900	56	70	≥80	10	3000	20Khrs	600
140048351	LEDspotRF-HP 16W-Dim-3000-10D-AL-GP	16	0.90	900	56	70	≥80	10	3000	20Khrs	600
140048352	LEDspotRA-HP 16W-Dim-3000-20D-AL-GP	16	0.90	900	56	70	≥80	10	3000	20Khrs	600
140048353	LEDspotRF-HP 16W-Dim-3000-20D-AL-GP	16	0.90	900	56	70	≥80	10	3000	20Khrs	600
140048354	LEDspotRA-HP 16W-Dim-3000-30D-AL-GP	16	0.90	900	56	70	≥80	10	3000	20Khrs	600
140048355	LEDspotRF-HP 16W-Dim-3000-30D-AL-GP	16	0.90	900	56	70	≥80	10	3000	20Khrs	600
140048356	LEDspotRA-HP 20W-Dim-3000-10D-AL-GP	20	0.90	1100	55	100	≥80	10	3000	20Khrs	600
140048357	LEDspotRF-HP 20W-Dim-3000-10D-AL-GP	20	0.90	1100	55	100	≥80	10	3000	20Khrs	600
140048358	LEDspotRA-HP 20W-Dim-3000-20D-AL-GP	20	0.90	1100	55	100	≥80	10	3000	20Khrs	600
140048359	LEDspotRF-HP 20W-Dim-3000-20D-AL-GP	20	0.90	1100	55	100	≥80	10	3000	20Khrs	600
140048360	LEDspotRA-HP 20W-Dim-3000-30D-AL-GP	20	0.90	1100	55	100	≥80	10	3000	20Khrs	600
140048361	LEDspotRF-HP 20W-Dim-3000-30D-AL-GP	20	0.90	1100	55	100	≥80	10	3000	20Khrs	600
140048362	LEDspotRA-HP 8W-Dim-3000-10D-AL-GP	8	0.90	350	44	40	≥80	10	3000	20Khrs	600
140048363	LEDspotRF-HP 8W-Dim-3000-10D-AL-GP	8	0.90	350	44	40	≥80	10	3000	20Khrs	600
140048364	LEDspotRA-HP 8W-Dim-3000-20D-AL-GP	8	0.90	350	44	40	≥80	10	3000	20Khrs	600
140048365	LEDspotRF-HP 8W-Dim-3000-20D-AL-GP	8	0.90	350	44	40	≥80	10	3000	20Khrs	600
140048366	LEDspotRA-HP 8W-Dim-3000-30D-AL-GP	8	0.90	350	44	40	≥80	10	3000	20Khrs	600
140048367	LEDspotRF-HP 8W-Dim-3000-30D-AL-GP	8	0.90	350	44	40	≥80	10	3000	20Khrs	600
140048368	LEDspotRA-HP 12W-Dim-3000-10D-AL-GP	12	0.90	500	42	60	≥80	10	3000	20Khrs	600
140048369	LEDspotRF-HP 12W-Dim-3000-10D-AL-GP	12	0.90	500	42	60	≥80	10	3000	20Khrs	600
140048370	LEDspotRA-HP 12W-Dim-3000-20D-AL-GP	12	0.90	500	42	60	≥80	10	3000	20Khrs	600
140048371	LEDspotRF-HP 12W-Dim-3000-20D-AL-GP	12	0.90	500	42	60	≥80	10	3000	20Khrs	600
140048372	LEDspotRA-HP 12W-Dim-3000-30D-AL-GP	12	0.90	500	42	60	≥80	10	3000	20Khrs	600

Item Code	Item Description	Power (W)	Power Factor	Lumen (lm)	Efficacy (lm/W)	Input Current (mA)	CRI	UGR	CCT (K)	Lifetime (L70B50)	MOQ (pcs)
140048373	LEDspotRF-HP 12W-Dim-3000-30D-AL-GP	12	0.90	500	42	60	≥80	10	3000	20Khrs	600
140048312	LEDspotRA-HP 30W-Dim-3000-10D-AL-GP	30	0.90	1750	58	150	≥80	10	3000	20Khrs	320
140048313	LEDspotRF-HP 30W-Dim-3000-10D-AL-GP	30	0.90	1750	58	150	≥80	10	3000	20Khrs	320
140048314	LEDspotRA-HP 30W-Dim-3000-20D-AL-GP	30	0.90	1750	58	150	≥80	10	3000	20Khrs	320
140048315	LEDspotRF-HP 30W-Dim-3000-20D-AL-GP	30	0.90	1750	58	150	≥80	10	3000	20Khrs	320
140048316	LEDspotRA-HP 30W-Dim-3000-30D-AL-GP	30	0.90	1750	58	150	≥80	10	3000	20Khrs	320
140048317	LEDspotRF-HP 30W-Dim-3000-30D-AL-GP	30	0.90	1750	58	150	≥80	10	3000	20Khrs	320
140048318	LEDspotRA-HP 45W-Dim-3000-15D-AL-GP	45	0.90	3400	76	230	≥80	10	3000	20Khrs	320
140048319	LEDspotRF-HP 45W-Dim-3000-15D-AL-GP	45	0.90	3400	76	230	≥80	10	3000	20Khrs	320
140048320	LEDspotRA-HP 45W-Dim-3000-20D-AL-GP	45	0.90	3400	76	230	≥80	10	3000	20Khrs	320
140048321	LEDspotRF-HP 45W-Dim-3000-20D-AL-GP	45	0.90	3400	76	230	≥80	10	3000	20Khrs	320
140048322	LEDspotRA-HP 45W-Dim-3000-30D-AL-GP	45	0.90	3400	76	230	≥80	10	3000	20Khrs	320
140048323	LEDspotRF-HP 45W-Dim-3000-30D-AL-GP	45	0.90	3400	76	230	≥80	10	3000	20Khrs	320
140048324	LEDspotRF-HP 20W-Dim-4000-20D-AL-GP	20	0.90	1100	55	100	≥80	10	4000	20Khrs	600
140048325	LEDspotRF-HP 30W-Dim-4000-20D-AL-GP	30	0.90	1750	58	150	≥80	10	4000	20Khrs	320

### Technical Specifications

On / Off Cycles	50,000
Colour Consistency (SDCM)	6
Dimmable	Yes
Beam Angle (°)	10/15/20/30
Finishing Colour	PC+ADC12 AL
IP	IP20
Driver Integrated (Yes/No)	NO
Glow Wire Test	650°C
Driver Failure Rate	1% at 5000h
Weight (kg/pc)	0.39/0.55/0.98/1.40

### Electrical Supply

Frequency (Hz)	50/60
Voltage (V)	220-240
AC/DC	AC

### Mechanical Properties

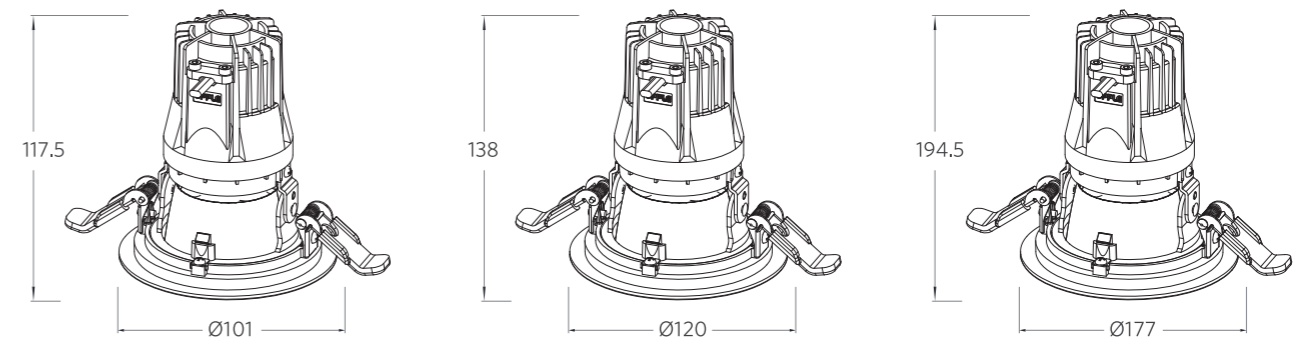
Housing Material	Aluminum +Steel
Optical Material	PC

### Application Conditions

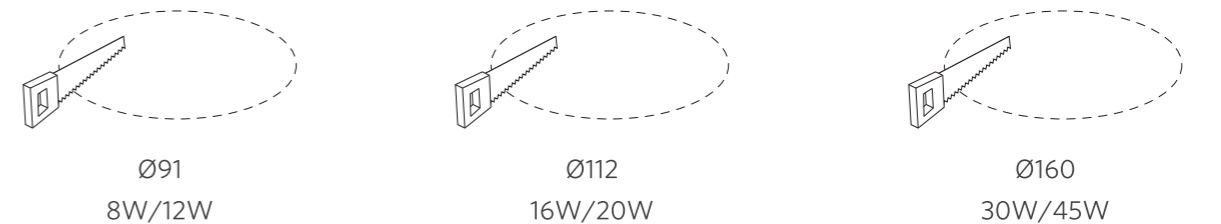
Operating Temperature	-10-40°C
Application Temperature	25°C
Storage Environment	-25-50°C



### Dimensional Drawing



### Cut-out Drawing

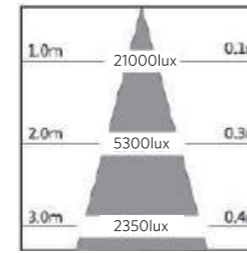
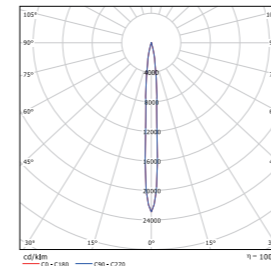




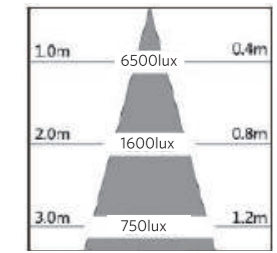
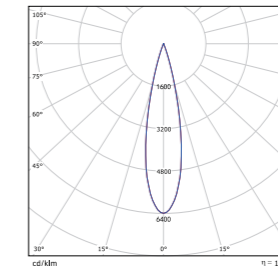
Packaging Information

Item		Single Box(1pc/box)		Packaging Unit		
Item Code	Item Description	Dimensions(mm) (LxWxH)	Gross Weight (kg)	Dimensions(mm) (LxWxH)	Gross Weight (kg)	Packing Qty (pcs/unit)
140048350	LEDSpotRA-HP 16W-Dim-3000-10D-AL-GP	180x170x186	0.79	560x360x395	9.50	12
140048351	LEDSpotRF-HP 16W-Dim-3000-10D-AL-GP	180x170x186	0.79	560x360x395	9.50	12
140048352	LEDSpotRA-HP 16W-Dim-3000-20D-AL-GP	180x170x186	0.79	560x360x395	9.50	12
140048353	LEDSpotRF-HP 16W-Dim-3000-20D-AL-GP	180x170x186	0.79	560x360x395	9.50	12
140048354	LEDSpotRA-HP 16W-Dim-3000-30D-AL-GP	180x170x186	0.79	560x360x395	9.50	12
140048355	LEDSpotRF-HP 16W-Dim-3000-30D-AL-GP	180x170x186	0.79	560x360x395	9.50	12
140048356	LEDSpotRA-HP 20W-Dim-3000-10D-AL-GP	180x170x186	0.79	560x360x395	9.50	12
140048357	LEDSpotRF-HP 20W-Dim-3000-10D-AL-GP	180x170x186	0.79	560x360x395	9.50	12
140048358	LEDSpotRA-HP 20W-Dim-3000-20D-AL-GP	180x170x186	0.79	560x360x395	9.50	12
140048359	LEDSpotRF-HP 20W-Dim-3000-20D-AL-GP	180x170x186	0.79	560x360x395	9.50	12
140048360	LEDSpotRA-HP 20W-Dim-3000-30D-AL-GP	180x170x186	0.79	560x360x395	9.50	12
140048361	LEDSpotRF-HP 20W-Dim-3000-30D-AL-GP	180x170x186	0.79	560x360x395	9.50	12
140048362	LEDSpotRA-HP 8W-Dim-3000-10D-AL-GP	170x170x170	0.62	535x365x365	7.44	12
140048363	LEDSpotRF-HP 8W-Dim-3000-10D-AL-GP	170x170x170	0.62	535x365x365	7.44	12
140048364	LEDSpotRA-HP 8W-Dim-3000-20D-AL-GP	170x170x170	0.62	535x365x365	7.44	12
140048365	LEDSpotRF-HP 8W-Dim-3000-20D-AL-GP	170x170x170	0.62	535x365x365	7.44	12
140048366	LEDSpotRA-HP 8W-Dim-3000-30D-AL-GP	170x170x170	0.62	535x365x365	7.44	12
140048367	LEDSpotRF-HP 8W-Dim-3000-30D-AL-GP	170x170x170	0.62	535x365x365	7.44	12
140048368	LEDSpotRA-HP 12W-Dim-3000-10D-AL-GP	170x170x170	0.62	535x365x365	7.44	12
140048369	LEDSpotRF-HP 12W-Dim-3000-10D-AL-GP	170x170x170	0.62	535x365x365	7.44	12
140048370	LEDSpotRA-HP 12W-Dim-3000-20D-AL-GP	170x170x170	0.62	535x365x365	7.44	12
140048371	LEDSpotRF-HP 12W-Dim-3000-20D-AL-GP	170x170x170	0.62	535x365x365	7.44	12
140048372	LEDSpotRA-HP 12W-Dim-3000-30D-AL-GP	170x170x170	0.62	535x365x365	7.44	12
140048373	LEDSpotRF-HP 12W-Dim-3000-30D-AL-GP	170x170x170	0.62	535x365x365	7.44	12
140048312	LEDSpotRA-HP 30W-Dim-3000-10D-AL-GP	225x225x220	1.42	475x475x465	11.34	8
140048313	LEDSpotRF-HP 30W-Dim-3000-10D-AL-GP	225x225x220	1.42	475x475x465	11.34	8
140048314	LEDSpotRA-HP 30W-Dim-3000-20D-AL-GP	225x225x220	1.42	475x475x465	11.34	8
140048315	LEDSpotRF-HP 30W-Dim-3000-20D-AL-GP	225x225x220	1.42	475x475x465	11.34	8
140048316	LEDSpotRA-HP 30W-Dim-3000-30D-AL-GP	225x225x220	1.42	475x475x465	11.34	8
140048317	LEDSpotRF-HP 30W-Dim-3000-30D-AL-GP	225x225x220	1.42	475x475x465	11.34	8
140048318	LEDSpotRA-HP 45W-Dim-3000-15D-AL-GP	225x225x220	1.84	475x475x465	14.72	8
140048319	LEDSpotRF-HP 45W-Dim-3000-15D-AL-GP	225x225x220	1.84	475x475x465	14.72	8
140048320	LEDSpotRA-HP 45W-Dim-3000-20D-AL-GP	225x225x220	1.84	475x475x465	14.72	8
140048321	LEDSpotRF-HP 45W-Dim-3000-20D-AL-GP	225x225x220	1.84	475x475x465	14.72	8
140048322	LEDSpotRA-HP 45W-Dim-3000-30D-AL-GP	225x225x220	1.84	475x475x465	14.72	8
140048323	LEDSpotRF-HP 45W-Dim-3000-30D-AL-GP	225x225x220	1.84	475x475x465	14.72	8
140048324	LEDSpotRF-HP 20W-Dim-4000-20D-AL-GP	180x170x186	0.79	560x360x395	9.50	12
140048325	LEDSpotRF-HP 30W-Dim-4000-20D-AL-GP	225x225x220	1.42	475x475x465	11.34	8

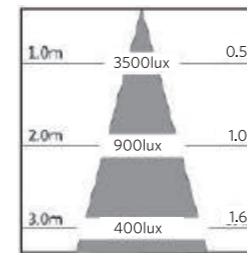
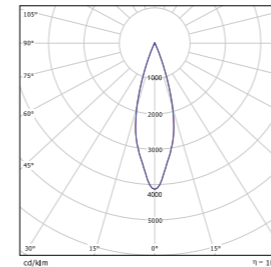
Photometric Data



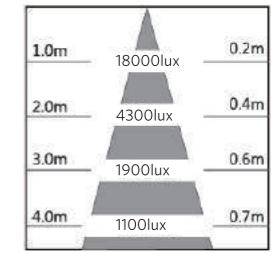
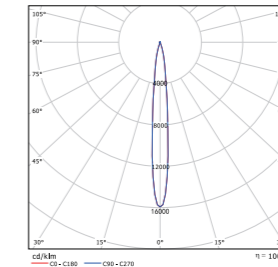
10°(8W/12W)



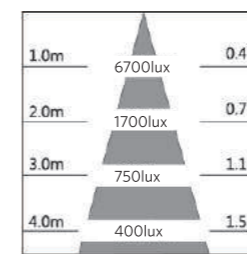
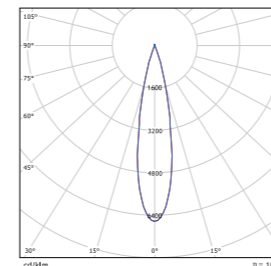
20°(8W/12W)



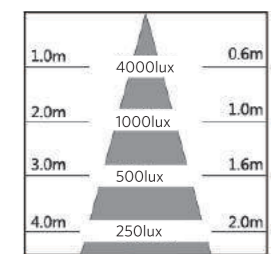
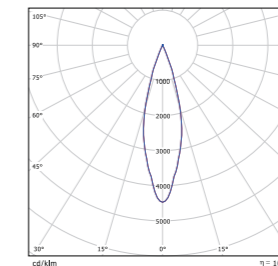
30°(8W/12W)



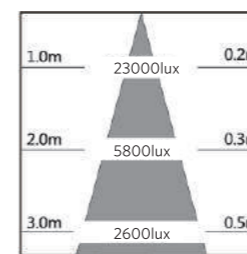
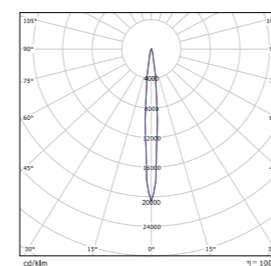
10°(16W/20W)



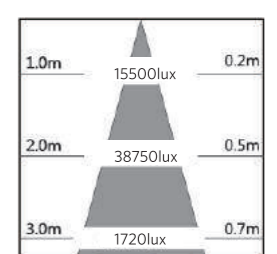
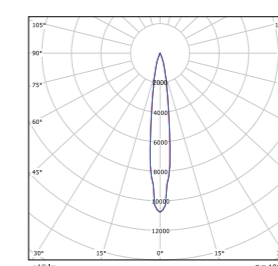
20°(16W/20W)



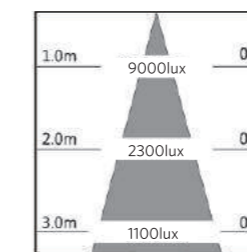
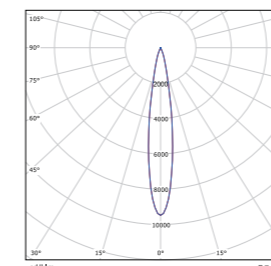
30°(16W/20W)



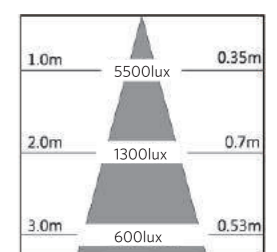
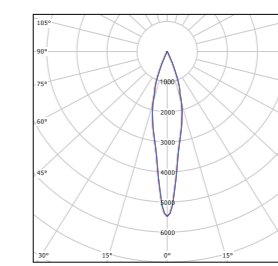
10°(30W)



15°(45W)



20°(30W/45W)



30°(30W/45W)



LED Spotlight High Quality Dimmable

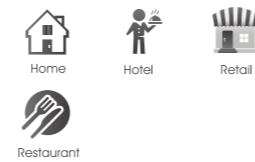
### Features

- TRIAC dimmable from 10-100% brightness
- Unique light mixing technique and optics design, UGR <13
- Tilt 24°
- Multiple beam angle options: 24° or 40°

### Benefits

- Tune light intensity to suit your environment or the time of day
- Glare free, visually comfortable light for working, living and learning
- Light where you need it
- Accommodate different display sizes and ceiling heights

### Application



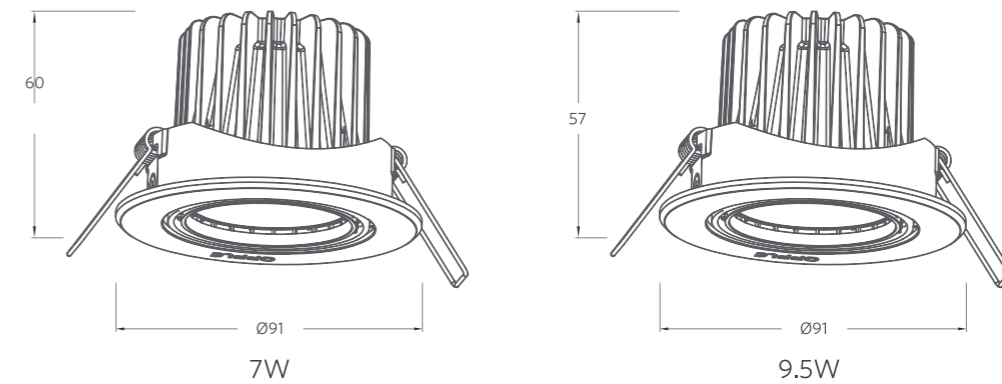
### Specification

Item Code	Item Description	Power (W)	Power Factor	Lumen (lm)	Efficacy (lm/W)	Input Current (mA)	Beam Angle (°)	CRI	UGR	CCT (K)	Lifetime (L70B50)	MOQ (pcs)
140049368	LEDSpotRA-HQ 7W-Dim-3000-24D-WH-GP	7	0.90	420	60	36	24	>80	13	3000	30Khrs	600
140049369	LEDSpotRA-HQ 7W-Dim-3000-40D-WH-GP	7	0.90	420	60	36	40	>80	13	3000	30Khrs	600
140049374	LEDSpotRA-HQ 7W-Dim-4000-24D-WH-GP	7	0.90	420	60	36	24	>80	13	4000	30Khrs	600
140049375	LEDSpotRA-HQ 7W-Dim-4000-40D-WH-GP	7	0.90	420	60	36	40	>80	13	4000	30Khrs	600
140049380	LEDSpotRA-HQ 7W-Dim-5700-24D-WH-GP	7	0.90	420	60	36	24	>80	13	5700	30Khrs	600
140049381	LEDSpotRA-HQ 7W-Dim-5700-40D-WH-GP	7	0.90	420	60	36	40	>80	13	5700	30Khrs	600
140049370	LEDSpotRA-HQ 9.5W-Dim-3000-24D-WH-GP	9.5	0.90	600	63	45	24	>80	13	3000	30Khrs	600
140049371	LEDSpotRA-HQ 9.5W-Dim-3000-40D-WH-GP	9.5	0.90	600	63	45	40	>80	13	3000	30Khrs	600
140049376	LEDSpotRA-HQ 9.5W-Dim-4000-24D-WH-GP	9.5	0.90	600	63	45	24	>80	13	4000	30Khrs	600
140049377	LEDSpotRA-HQ 9.5W-Dim-4000-40D-WH-GP	9.5	0.90	600	63	45	40	>80	13	4000	30Khrs	600
140049382	LEDSpotRA-HQ 9.5W-Dim-5700-24D-WH-GP	9.5	0.90	600	63	45	24	>80	13	5700	30Khrs	600
140049383	LEDSpotRA-HQ 9.5W-Dim-5700-40D-WH-GP	9.5	0.90	600	63	45	40	>80	13	5700	30Khrs	600

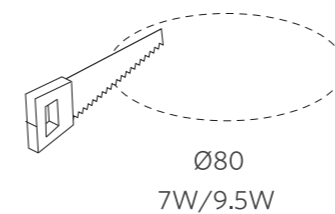
### Packaging Information

Item Code	Item Description	Single Box(1pc/box)		Packaging Unit(40pcs/unit)	
		Dimensions(mm) (LxWxH)	Gross Weight (kg)	Dimensions(mm) (LxWxH)	Gross Weight (kg)
140049368	LEDSpotRA-HQ 7W-Dim-3000-24D-WH-GP	115x115x95	0.45	600x478x210	18.00
140049369	LEDSpotRA-HQ 7W-Dim-3000-40D-WH-GP	115x115x95	0.45	600x478x210	18.00
140049374	LEDSpotRA-HQ 7W-Dim-4000-24D-WH-GP	115x115x95	0.45	600x478x210	18.00
140049375	LEDSpotRA-HQ 7W-Dim-4000-40D-WH-GP	115x115x95	0.45	600x478x210	18.00
140049380	LEDSpotRA-HQ 7W-Dim-5700-24D-WH-GP	115x115x95	0.45	600x478x210	18.00
140049381	LEDSpotRA-HQ 7W-Dim-5700-40D-WH-GP	115x115x95	0.45	600x478x210	18.00
140049370	LEDSpotRA-HQ 9.5W-Dim-3000-24D-WH-GP	115x115x95	0.45	600x478x210	18.00
140049371	LEDSpotRA-HQ 9.5W-Dim-3000-40D-WH-GP	115x115x95	0.45	600x478x210	18.00
140049376	LEDSpotRA-HQ 9.5W-Dim-4000-24D-WH-GP	115x115x95	0.45	600x478x210	18.00
140049377	LEDSpotRA-HQ 9.5W-Dim-4000-40D-WH-GP	115x115x95	0.45	600x478x210	18.00
140049382	LEDSpotRA-HQ 9.5W-Dim-5700-24D-WH-GP	115x115x95	0.45	600x478x210	18.00
140049383	LEDSpotRA-HQ 9.5W-Dim-5700-40D-WH-GP	115x115x95	0.45	600x478x210	18.00

### Dimensional Drawing



### Installation Opening Drawing

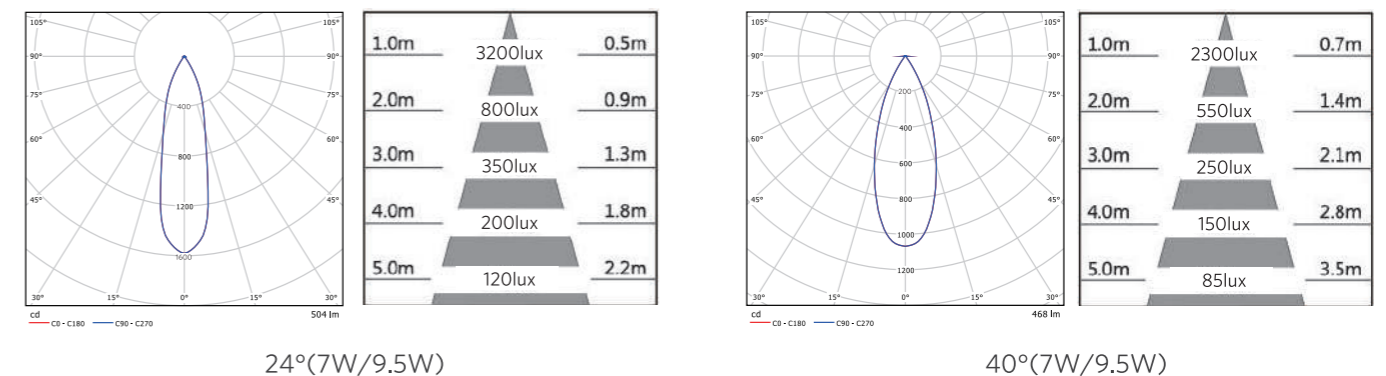


Technical Specifications	
On / Off Cycles	50,000
Colour Consistency (SDCM)	6
Dimmable	Yes
Finishing Colour	White
IP	20
Driver Integrated (Yes/No)	No
Glow Wire Test	650°C
Driver Failure Rate	1% at 5000h
Weight (kg/pc)	0.20

Electrical Supply	
Frequency (Hz)	50 / 60
Voltage (V)	220-240
AC/DC	AC
Mechanical Properties	
Housing Material	Aluminum+PC
Optical Material	Plastic
Application Conditions	
Operating Temperature	-10-40°C
Application Temperature	25°C
Storage Environment	-25-50°C



### Photometric Data





## LED Spotlight Grid High Quality

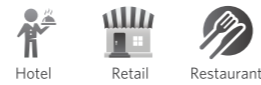
### Features

- Unique light mixing technique and optics design, UGR<13
- Tilt 23°
- Multiple beam angle options: 24° or 40°
- Energy efficient

### Benefits

- Glare free, visually comfortable light for working, living and learning
- Light where you need it
- Accommodate different display sizes and ceiling heights
- Up to 80% energy savings compared to halogen

### Application



### Specification

Item Code	Item Description	Power (W)	Power Factor	Lumen (lm)	Efficacy (lm/W)	Input Current (mA)	Beam Angle (°)	CRI	UGR	CCT (K)	Lifetime (L70B50)	MOQ (pcs)
140048151	LEDspotGR-HQ-1 7.5W-3000-24D-WH-GP	7.5	0.70	420	56	50	24	≥80	13	3000	30Khrs	300
140048152	LEDspotGR-HQ-1 7.5W-3000-40D-WH-GP	7.5	0.70	420	56	50	40	≥80	13	3000	30Khrs	300
140048167	LEDspotGR-HQ-2 15W-3000-24D-WH-GP	15	0.70	840	56	90	24	≥80	13	3000	30Khrs	300
140048168	LEDspotGR-HQ-2 15W-3000-40D-WH-GP	15	0.70	840	56	90	40	≥80	13	3000	30Khrs	300
140048153	LEDspotGR-HQ-1 7.5W-3000-24D-AL-GP	7.5	0.70	420	56	50	24	≥80	13	3000	30Khrs	300
140048157	LEDspotGR-HQ-1 7.5W-4000-24D-AL-GP	7.5	0.70	420	56	50	24	≥80	13	4000	30Khrs	300
140048169	LEDspotGR-HQ-2 15W-3000-24D-AL-GP	15	0.70	840	56	90	24	≥80	13	3000	30Khrs	300
140048173	LEDspotGR-HQ-2 15W-4000-24D-AL-GP	15	0.70	840	56	90	24	≥80	13	4000	30Khrs	300

Technical Specifications	
On / Off Cycles	50,000
Colour Consistency (SDCM)	6
Dimmable	No
Beam Angle (°)	24/40
Finishing Colour	White
IP	20
Driver Integrated (Yes/No)	Yes for double heads
Glow Wire Test	650°C
Driver Failure Rate	1% at 5000h
Weight (kg/pc)	0.46/0.74

Electrical Supply	
Frequency (Hz)	50/60
Voltage (V)	220-240
AC/DC	AC

Mechanical Properties	
Housing Material	Aluminum +Steel
Optical Material	PC

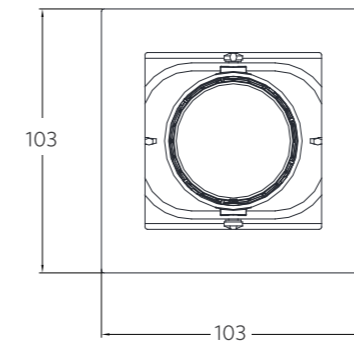
Application Conditions	
Operating Temperature	-10-40°C
Application Temperature	25°C
Storage Environment	-25-50°C



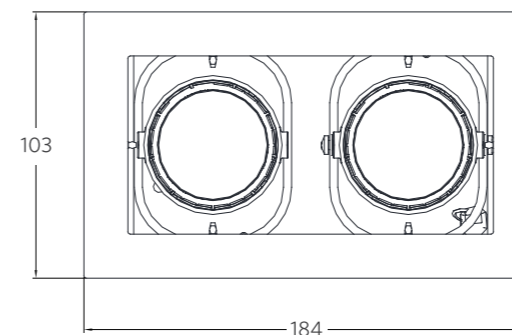
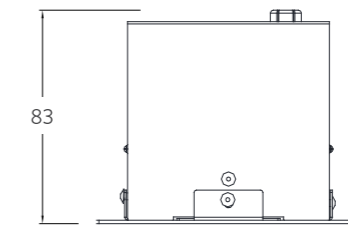
### Packaging Information

Item Code	Item Description	Single Box(1pc/box)		Packaging Unit		
		Dimensions(mm) (LxWxH)	Gross Weight (kg)	Dimensions(mm) (LxWxH)	Gross Weight (kg)	Packing Qty (pcs/unit)
140048151	LEDspotGR-HQ-1 7.5W-3000-24D-WH-GP	132x132x115	0.61	412x278x256	7.30	12
140048152	LEDspotGR-HQ-1 7.5W-3000-40D-WH-GP	132x132x115	0.61	412x278x256	7.30	12
140048167	LEDspotGR-HQ-2 15W-3000-24D-WH-GP	210x132x115	0.90	434x278x256	7.20	8
140048168	LEDspotGR-HQ-2 15W-3000-40D-WH-GP	210x132x115	0.90	434x278x256	7.20	8
140048153	LEDspotGR-HQ-1 7.5W-3000-24D-AL-GP	132x132x115	0.61	412x278x256	7.30	12
140048157	LEDspotGR-HQ-1 7.5W-4000-24D-AL-GP	132x132x115	0.61	412x278x256	7.30	12
140048169	LEDspotGR-HQ-2 15W-3000-24D-AL-GP	210x132x115	0.90	434x278x256	7.20	8
140048173	LEDspotGR-HQ-2 15W-4000-24D-AL-GP	210x132x115	0.90	434x278x256	7.20	8

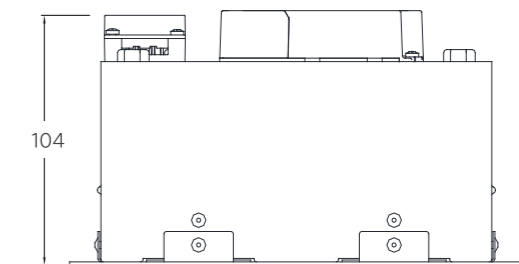
### Dimensional Drawing



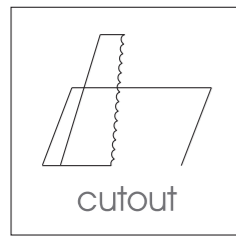
7.5W



15W

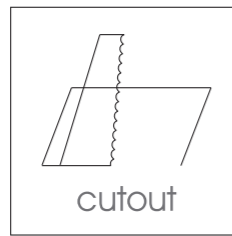


## Cut-out Drawing



95X95

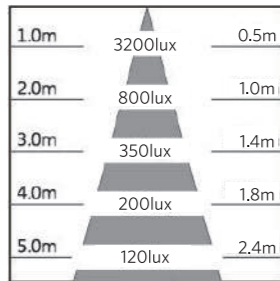
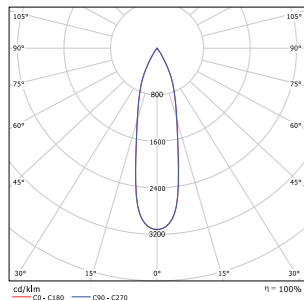
7.5W



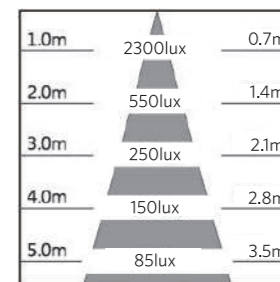
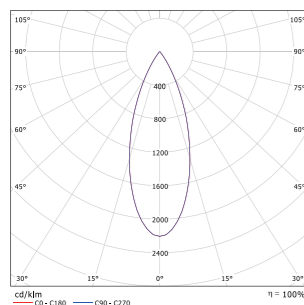
95X175

15W

## Photometric Data



24°(7.5W/15W)



40°(7.5W/15W)



LED Spotlight HJ

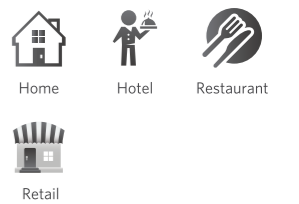
## Features

- New designed compound-eye lens
- Aluminum die-casting heat sink
- Multiple choices of beam angle & powers
- Horizontal rotate 355°, vertical rotate 35°

## Benefits

- Accurate light-shape control and uniform light distribution
- Superb heat control enables better efficiency
- Accommodate different display areas and applications
- Flexible adjustment for accent lighting

## Application



## Specification

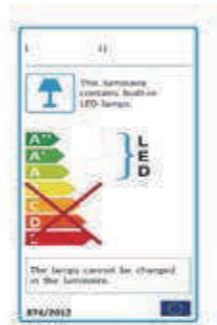
Item Code	Item Description	Power (W)	Power Factor	Lumen (lm)	Efficacy (lm/W)	Input Current (mA)	CRI	CCT (K)	Lifetime (L70B50)	MOQ (pcs)
140056827	LEDspotRA-HJ 10W-3000-16D-WH-GP	10	0.94	800	80	50	≥80	3000	30Khrs	300
140056828	LEDspotRA-HJ 10W-3000-24D-WH-GP	10	0.94	850	85	50	≥80	3000	30Khrs	300
140056829	LEDspotRA-HJ 10W-3000-36D-WH-GP	10	0.94	850	85	50	≥80	3000	30Khrs	300
140056830	LEDspotRA-HJ 10W-4000-16D-WH-GP	10	0.94	800	80	50	≥80	4000	30Khrs	300
140056831	LEDspotRA-HJ 10W-4000-24D-WH-GP	10	0.94	850	85	50	≥80	4000	30Khrs	300
140056832	LEDspotRA-HJ 10W-4000-36D-WH-GP	10	0.94	850	85	50	≥80	4000	30Khrs	300
140059644	LEDspotRA-HJ 10W-6000-16D-WH-GP	10	0.94	800	80	50	≥80	6000	30Khrs	300
140059645	LEDspotRA-HJ 10W-6000-24D-WH-GP	10	0.94	850	85	50	≥80	6000	30Khrs	300
140059646	LEDspotRA-HJ 10W-6000-36D-WH-GP	10	0.94	850	85	50	≥80	6000	30Khrs	300
140056833	LEDspotRA-HJ 16W-3000-16D-WH-GP	16	0.94	1400	88	75	≥80	3000	30Khrs	300
140056834	LEDspotRA-HJ 16W-3000-24D-WH-GP	16	0.94	1400	88	75	≥80	3000	30Khrs	300
140056835	LEDspotRA-HJ 16W-3000-36D-WH-GP	16	0.94	1440	90	75	≥80	3000	30Khrs	300
140056836	LEDspotRA-HJ 16W-4000-16D-WH-GP	16	0.94	1400	88	75	≥80	4000	30Khrs	300
140056837	LEDspotRA-HJ 16W-4000-24D-WH-GP	16	0.94	1400	88	75	≥80	4000	30Khrs	300
140056838	LEDspotRA-HJ 16W-4000-36D-WH-GP	16	0.94	1440	90	75	≥80	4000	30Khrs	300
140059651	LEDspotRA-HJ 16W-6000-16D-WH-GP	16	0.94	1400	88	75	≥80	6000	30Khrs	300
140059652	LEDspotRA-HJ 16W-6000-24D-WH-GP	16	0.94	1440	90	75	≥80	6000	30Khrs	300
140059653	LEDspotRA-HJ 16W-6000-36D-WH-GP	16	0.94	1400	88	75	≥80	6000	30Khrs	300
140056839	LEDspotRA-HJ 30W-3000-16D-WH-GP	30	0.94	2800	93	150	≥80	3000	30Khrs	300
140056840	LEDspotRA-HJ 30W-3000-24D-WH-GP	30	0.94	2800	93	150	≥80	3000	30Khrs	300
140056841	LEDspotRA-HJ 30W-3000-36D-WH-GP	30	0.94	2900	97	150	≥80	3000	30Khrs	300
140056842	LEDspotRA-HJ 30W-4000-16D-WH-GP	30	0.94	2800	93	150	≥80	4000	30Khrs	300
140056843	LEDspotRA-HJ 30W-4000-24D-WH-GP	30	0.94	2800	93	150	≥80	4000	30Khrs	300
140056844	LEDspotRA-HJ 30W-4000-36D-WH-GP	30	0.94	2900	97	150	≥80	4000	30Khrs	300

Item Code	Item Description	Power (W)	Power Factor	Lumen (lm)	Efficacy (lm/W)	Input Current (mA)	CRI	CCT (K)	Lifetime (L70B50)	MOQ (pcs)
140059654	LEDspotRA-HJ 30W-6000-16D-WH-GP	30	0.94	2800	93	150	≥80	6000	30Khrs	300
140059655	LEDspotRA-HJ 30W-6000-24D-WH-GP	30	0.94	2900	96	150	≥80	6000	30Khrs	300
140059656	LEDspotRA-HJ 30W-6000-36D-WH-GP	30	0.94	2800	93	150	≥80	6000	30Khrs	300
140056845	LEDspotRA-HJ 40W-3000-17D-WH-GP	40	0.94	4000	100	190	≥80	3000	30Khrs	300
140056846	LEDspotRA-HJ 40W-3000-24D-WH-GP	40	0.94	4000	100	190	≥80	3000	30Khrs	300
140056847	LEDspotRA-HJ 40W-3000-36D-WH-GP	40	0.94	4000	100	190	≥80	3000	30Khrs	300
140056848	LEDspotRA-HJ 40W-4000-17D-WH-GP	40	0.94	4000	100	190	≥80	4000	30Khrs	300
140056849	LEDspotRA-HJ 40W-4000-24D-WH-GP	40	0.94	4000	100	190	≥80	4000	30Khrs	300
140056850	LEDspotRA-HJ 40W-4000-36D-WH-GP	40	0.94	4000	100	190	≥80	4000	30Khrs	300
140059686	LEDspotRA-HJ 40W-6000-17D-WH-GP	40	0.94	4000	100	190	≥80	6000	30Khrs	300
140059687	LEDspotRA-HJ 40W-6000-24D-WH-GP	40	0.94	4000	100	190	≥80	6000	30Khrs	300
140059688	LEDspotRA-HJ 40W-6000-36D-WH-GP	40	0.94	4000	100	190	≥80	6000	30Khrs	300

Technical Specifications	
On / Off Cycles	50,000
Colour Consistency (SDCM)	<6
Dimmable	No
Beam Angle (°)	16/17/24/36
Finishing Colour	White
IP	IP20
IK	IK02
Driver Integrated (Yes/No)	No
Glow Wire Test	650°C
Driver Failure Rate	1% at 5000h
Weight (kg/pc)	0.25/0.39/0.69/0.96

Electrical Supply	
Frequency (Hz)	50 / 60
Voltage (V)	220-240
AC/DC	AC
Mechanical Properties	
Housing Material	Aluminum
Optical Material	PC
Application Conditions	
Operating Temperature	-25-50°C
Application Temperature	25°C
Storage Environment	-25-50°C

CE CB

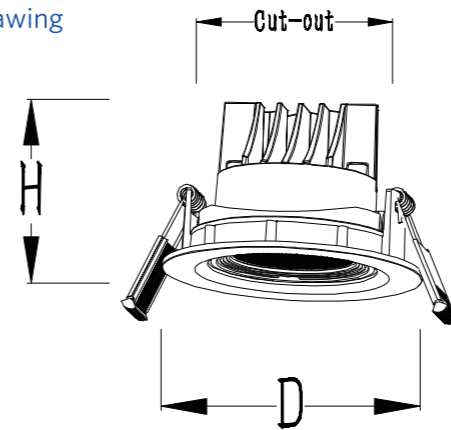


Item Code	Item Description	Single Box(1pc/box)		Packaging Unit		
		Dimensions(mm) (LxWxH)	Gross Weight (kg)	Dimensions(mm) (LxWxH)	Gross Weight (kg)	Packing Qty (pcs/unit)
140056841	LEDspotRA-HJ 30W-3000-36D-WH-GP	158*158*125	0.73	652*492*274	18	24
140056842	LEDspotRA-HJ 30W-4000-16D-WH-GP	158*158*125	0.73	652*492*274	18	24
140056843	LEDspotRA-HJ 30W-4000-24D-WH-GP	158*158*125	0.73	652*492*274	18	24
140056844	LEDspotRA-HJ 30W-4000-36D-WH-GP	158*158*125	0.73	652*492*274	18	24
140059654	LEDspotRA-HJ 30W-6000-16D-WH-GP	158*158*125	0.73	652*492*274	18	24
140059655	LEDspotRA-HJ 30W-6000-24D-WH-GP	158*158*125	0.73	652*492*274	18	24
140059656	LEDspotRA-HJ 30W-6000-36D-WH-GP	158*158*125	0.73	652*492*274	18	24
140056845	LEDspotRA-HJ 40W-3000-17D-WH-GP	184*184*160	1.10	570*384*344	13	12
140056846	LEDspotRA-HJ 40W-3000-24D-WH-GP	184*184*160	1.10	570*384*344	13	12
140056847	LEDspotRA-HJ 40W-3000-36D-WH-GP	184*184*160	1.10	570*384*344	13	12
140056848	LEDspotRA-HJ 40W-4000-17D-WH-GP	184*184*160	1.10	570*384*344	13	12
140056849	LEDspotRA-HJ 40W-4000-24D-WH-GP	184*184*160	1.10	570*384*344	13	12
140056850	LEDspotRA-HJ 40W-4000-36D-WH-GP	184*184*160	1.10	570*384*344	13	12
140059686	LEDspotRA-HJ 40W-6000-17D-WH-GP	184*184*160	1.10	570*384*344	13	12
140059687	LEDspotRA-HJ 40W-6000-24D-WH-GP	184*184*160	1.10	570*384*344	13	12
140059688	LEDspotRA-HJ 40W-6000-36D-WH-GP	184*184*160	1.10	570*384*344	13	12

Packaging Information

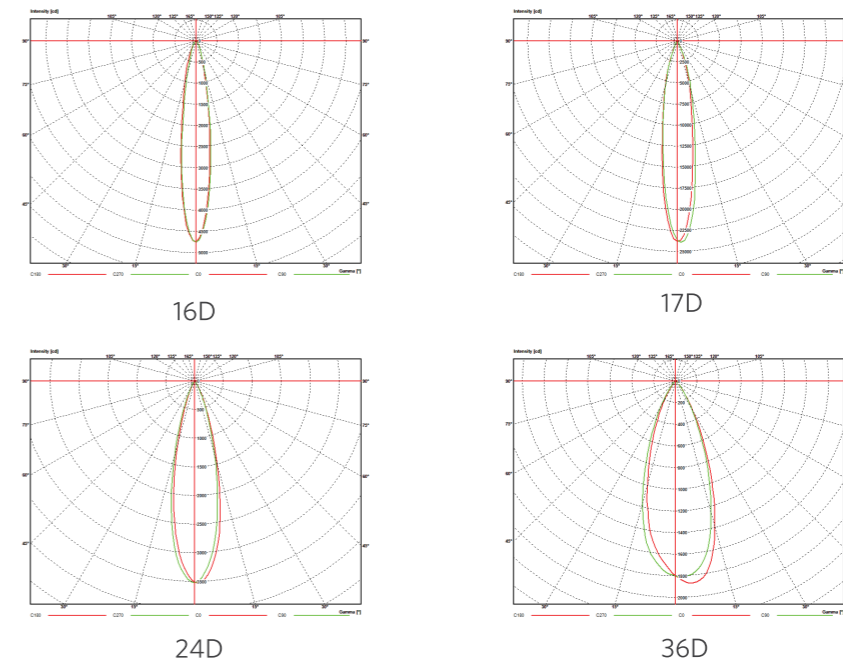
Item Code	Item Description	Single Box(1pc/box)		Packaging Unit		
		Dimensions(mm) (LxWxH)	Gross Weight (kg)	Dimensions(mm) (LxWxH)	Gross Weight (kg)	Packing Qty (pcs/unit)
140056827	LEDspotRA-HJ 10W-3000-16D-WH-GP	173*116*90	0.38	608*541*208	11	30
140056828	LEDspotRA-HJ 10W-3000-24D-WH-GP	173*116*90	0.38	608*541*208	11	30
140056829	LEDspotRA-HJ 10W-3000-36D-WH-GP	173*116*90	0.38	608*541*208	11	30
140056830	LEDspotRA-HJ 10W-4000-16D-WH-GP	173*116*90	0.38	608*541*208	11	30
140056831	LEDspotRA-HJ 10W-4000-24D-WH-GP	173*116*90	0.38	608*541*208	11	30
140056832	LEDspotRA-HJ 10W-4000-36D-WH-GP	173*116*90	0.38	608*541*208	11	30
140059644	LEDspotRA-HJ 10W-6000-16D-WH-GP	173*116*90	0.38	608*541*208	11	30
140059645	LEDspotRA-HJ 10W-6000-24D-WH-GP	173*116*90	0.38	608*541*208	11	30
140059646	LEDspotRA-HJ 10W-6000-36D-WH-GP	173*116*90	0.38	608*541*208	11	30
140056833	LEDspotRA-HJ 16W-3000-16D-WH-GP	150*122*100	0.42	620*508*224	13	32
140056834	LEDspotRA-HJ 16W-3000-24D-WH-GP	150*122*100	0.42	620*508*224	13	32
140056835	LEDspotRA-HJ 16W-3000-36D-WH-GP	150*122*100	0.42	620*508*224	13	32
140056836	LEDspotRA-HJ 16W-4000-16D-WH-GP	150*122*100	0.42	620*508*224	13	32
140056837	LEDspotRA-HJ 16W-4000-24D-WH-GP	150*122*100	0.42	620*508*224	13	32
140056838	LEDspotRA-HJ 16W-4000-36D-WH-GP	150*122*100	0.42	620*508*224	13	32
140059651	LEDspotRA-HJ 16W-6000-16D-WH-GP	150*122*100	0.42	620*508*224	13	32
140059652	LEDspotRA-HJ 16W-6000-24D-WH-GP	150*122*100	0.42	620*508*224	13	32
140059653	LEDspotRA-HJ 16W-6000-36D-WH-GP	150*122*100	0.42	620*508*224	13	32
140056839	LEDspotRA-HJ 30W-3000-16D-WH-GP	158*158*125	0.73	652*492*274	18	24
140056840	LEDspotRA-HJ 30W-3000-24D-WH-GP	158*158*125	0.73	652*492*274	18	24

Dimensional Drawing



Type	H (mm)	D (mm)	C (mm)
LED SP-RA HJ 10W	57	85	75
LED SP-RA HJ 16W	82	116	100
LED SP-RA HJ 30W	109	138	125
LED SP-RA HJ 40W	140	170	150

Photometric Data





LED Spotlight Grid HJ

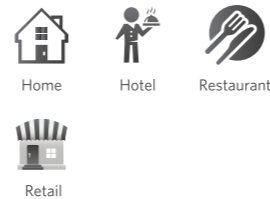
### Features

- New designed compound-eye lens
- Aluminum die-casting heat sink
- Multiple choices of beam angle & powers
- Horizontal rotate 355°, vertical rotate 35°

### Benefits

- Accurate light-shape control and uniform light distribution
- Superb heat control enables better efficiency
- Accommodate different display areas and applications
- Flexible adjustment for accent lighting

### Application



### Specification

Item Code	Item Description	Power (W)	Power Factor	Lumen (lm)	Efficacy (lm/W)	Input Current (mA)	CRI	CCT (K)	Lifetime (L70B50)	MOQ (pcs)
140056821	LEDSpotGR-HJ-1 10W-3000-24D-WH-GP	10	0.94	850	85	50	≥80	3000	30Khrs	300
140056851	LEDSpotGR-HJ-1 10W-4000-24D-WH-GP	10	0.94	850	85	50	≥80	4000	30Khrs	300
140057400	LEDSpotGR-HJ-1 10W-3000-24D-GY-GP	10	0.94	850	85	50	≥80	3000	30Khrs	300
140057401	LEDSpotGR-HJ-1 10W-4000-24D-GY-GP	10	0.94	850	85	50	≥80	4000	30Khrs	300
140056852	LEDSpotGR-HJ-2 20W-3000-24D-WH-GP	20	0.94	1700	85	100	≥80	3000	30Khrs	300
140056853	LEDSpotGR-HJ-2 20W-4000-24D-WH-GP	20	0.94	1700	85	100	≥80	4000	30Khrs	300
140057402	LEDSpotGR-HJ-2 20W-3000-24D-GY-GP	20	0.94	1700	85	100	≥80	3000	30Khrs	300
140057403	LEDSpotGR-HJ-2 20W-4000-24D-GY-GP	20	0.94	1700	85	100	≥80	4000	30Khrs	300
140056854	LEDSpotGR-HJ-1 20W-3000-24D-WH-GP	20	0.94	1800	90	90	≥80	3000	30Khrs	300
140056855	LEDSpotGR-HJ-1 20W-4000-24D-WH-GP	20	0.94	1800	90	90	≥80	4000	30Khrs	300
140057404	LEDSpotGR-HJ-1 20W-3000-24D-GY-GP	20	0.94	1800	90	90	≥80	3000	30Khrs	300
140057405	LEDSpotGR-HJ-1 20W-4000-24D-GY-GP	20	0.94	1800	90	90	≥80	4000	30Khrs	300
140056856	LEDSpotGR-HJ-2 40W-3000-24D-WH-GP	40	0.94	3600	90	180	≥80	3000	30Khrs	300
140056857	LEDSpotGR-HJ-2 40W-4000-24D-WH-GP	40	0.94	3600	90	180	≥80	4000	30Khrs	300
140057406	LEDSpotGR-HJ-2 40W-3000-24D-GY-GP	40	0.94	3600	90	180	≥80	3000	30Khrs	300
140057407	LEDSpotGR-HJ-2 40W-4000-24D-GY-GP	40	0.94	3600	90	180	≥80	4000	30Khrs	300
140056858	LEDSpotGR-HJ-1 30W-3000-24D-WH-GP	30	0.94	2800	93	140	≥80	3000	30Khrs	300
140056859	LEDSpotGR-HJ-1 30W-4000-24D-WH-GP	30	0.94	2800	93	140	≥80	4000	30Khrs	300
140057408	LEDSpotGR-HJ-1 30W-3000-24D-GY-GP	30	0.94	2800	93	140	≥80	3000	30Khrs	300
140057409	LEDSpotGR-HJ-1 30W-4000-24D-GY-GP	30	0.94	2800	93	140	≥80	4000	30Khrs	300
140056860	LEDSpotGR-HJ-2 60W-3000-24D-WH-GP	60	0.94	5600	93	280	≥80	3000	30Khrs	300
140056861	LEDSpotGR-HJ-2 60W-4000-24D-WH-GP	60	0.94	5600	93	280	≥80	4000	30Khrs	300
140057410	LEDSpotGR-HJ-2 60W-3000-24D-GY-GP	60	0.94	5600	93	280	≥80	3000	30Khrs	300
140057411	LEDSpotGR-HJ-2 60W-4000-24D-GY-GP	60	0.94	5600	93	280	≥80	4000	30Khrs	300

Item Code	Item Description	Power (W)	Power Factor	Lumen (lm)	Efficacy (lm/W)	Input Current (mA)	CRI	CCT (K)	Lifetime (L70B50)	MOQ (pcs)
140056862	LEDSpotGR-HJ-1 40W-3000-24D-WH-GP	40	0.94	4000	100	180	≥80	3000	30Khrs	300
140056863	LEDSpotGR-HJ-1 40W-4000-24D-WH-GP	40	0.94	4000	100	180	≥80	4000	30Khrs	300
140057412	LEDSpotGR-HJ-1 40W-3000-24D-GY-GP	40	0.94	4000	100	180	≥80	3000	30Khrs	300
140057413	LEDSpotGR-HJ-1 40W-4000-24D-GY-GP	40	0.94	4000	100	180	≥80	4000	30Khrs	300
140056864	LEDSpotGR-HJ-2 80W-3000-24D-WH-GP	80	0.94	8000	100	360	≥80	3000	30Khrs	300
140056865	LEDSpotGR-HJ-2 80W-4000-24D-WH-GP	80	0.94	8000	100	360	≥80	4000	30Khrs	300
140057414	LEDSpotGR-HJ-2 80W-3000-24D-GY-GP	80	0.94	8000	100	360	≥80	3000	30Khrs	300
140057415	LEDSpotGR-HJ-2 80W-4000-24D-GY-GP	80	0.94	8000	100	360	≥80	4000	30Khrs	300

### Technical Specifications

On / Off Cycles	50,000
Colour Consistency (SDCM)	<6
Dimmable	No
Beam Angle (°)	24
Finishing Colour	White/Grey
IP	IP20
IK	IK02
Driver Integrated (Yes/No)	No
Glow Wire Test	650°C
Driver Failure Rate	1% at 5000h
Weight (kg/pc)	0.51/0.88/1.02/1.86/1.62/2.93

### Electrical Supply

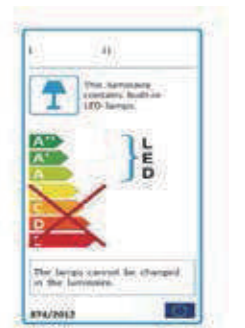
Frequency (Hz)	50 / 60
Voltage (V)	220-240
AC/DC	AC

### Mechanical Properties

Housing Material	Aluminum
Optical Material	PC

### Application Conditions

Operating Temperature	-25-50°C
Application Temperature	25°C
Storage Environment	-25-50°C



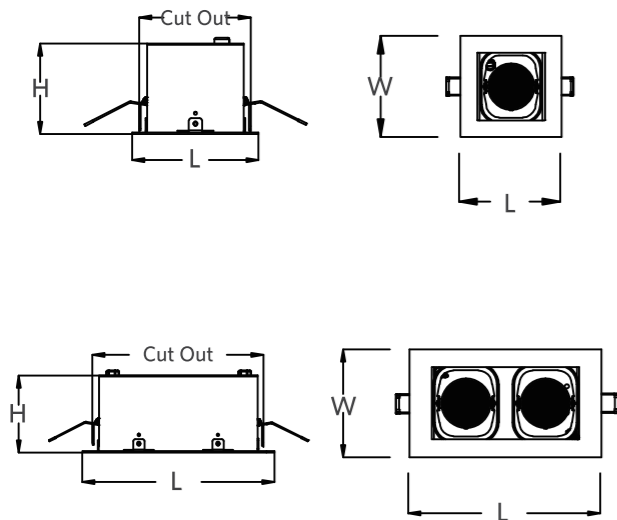
### Packaging Information

Item Code	Item Description	Single Box(1pc/box)		Packaging Unit		
		Dimensions(mm) (LxWxH)	Gross Weight (kg)	Dimensions(mm) (LxWxH)	Gross Weight (kg)	Packing Qty (pcs/unit)
140056821	LEDSpotGR-HJ-1 10W-3000-24D-WH-GP	172*170*115	0.651	540*358*256	7.812	12
140056851	LEDSpotGR-HJ-1 10W-4000-24D-WH-GP	172*170*115	0.651	540*358*256	7.812	12
140057400	LEDSpotGR-HJ-1 10W-3000-24D-GY-GP	172*170*115	0.651	540*358*256	7.812	12
140057401	LEDSpotGR-HJ-1 10W-4000-24D-GY-GP	172*170*115	0.651	540*358*256	7.812	12
140056852	LEDSpotGR-HJ-2 20W-3000-24D-WH-GP	250*172*115	1.044	514*358*256	8.352	8
140056853	LEDSpotGR-HJ-2 20W-4000-24D-WH-GP	250*172*115	1.044	514*358*256	8.352	8
140057402	LEDSpotGR-HJ-2 20W-3000-24D-GY-GP	250*172*115	1.044	514*358*256	8.352	8
140057403	LEDSpotGR-HJ-2 20W-4000-24D-GY-GP	250*172*115	1.044	514*358*256	8.352	8
140056854	LEDSpotGR-HJ-1 20W-3000-24D-WH-GP	190*188*151	1.334	402*402*346	10.672	8
140056855	LEDSpotGR-HJ-1 20W-4000-24D-WH-GP	190*188*151	1.334	402*402*346	10.672	8
140057404	LEDSpotGR-HJ-1 20W-3000-24D-GY-GP	190*188*151	1.334	402*402*346	10.672	8
140057405	LEDSpotGR-HJ-1 20W-4000-24D-GY-GP	190*188*151	1.334	402*402*346	10.672	8
140056856	LEDSpotGR-HJ-2 40W-3000-24D-WH-GP	316*188*151	2.375	402*334*346	9.5	4
140056857	LEDSpotGR-HJ-2 40W-4000-24D-WH-GP	316*188*151	2.375	402*334*346	9.5	4
140057406	LEDSpotGR-HJ-2 40W-3000-24D-GY-GP	316*188*151	2.375	402*334*346	9.5	4
140057407	LEDSpotGR-HJ-2 40W-4000-24D-GY-GP	316*188*151	2.375	402*334*346	9.5	4
140056858	LEDSpotGR-HJ-1 30W-3000-24D-WH-GP	190*188*151	1.334	402*402*346	10.672	8
140056859	LEDSpotGR-HJ-1 30W-4000-24D-WH-GP	190*188*151	1.334	402*402*346	10.672	8
140057408	LEDSpotGR-HJ-1 30W-3000-24D-GY-GP	190*188*151	1.334	402*402*346	10.672	8
140057409	LEDSpotGR-HJ-1 30W-4000-24D-GY-GP	190*188*151	1.334	402*402*346	10.672	8
140056860	LEDSpotGR-HJ-2 60W-3000-24D-WH-GP	316*188*151	2.375	402*334*346	9.5	4
140056861	LEDSpotGR-HJ-2 60W-4000-24D-WH-GP	316*188*151	2.375	402*334*346	9.5	4

## Packaging Information

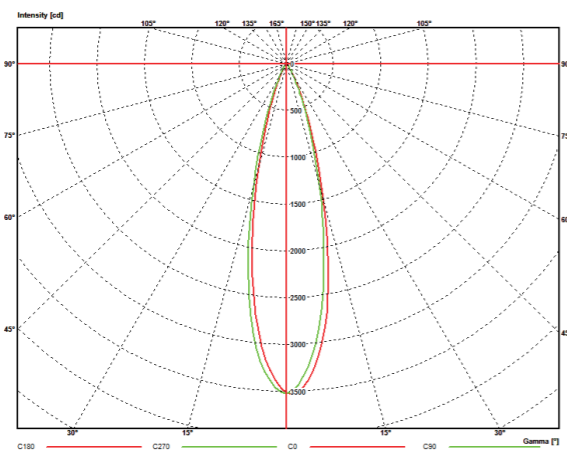
Item		Single Box(1pc/box)		Packaging Unit		
Item Code	Item Description	Dimensions(mm) (LxWxH)	Gross Weight (kg)	Dimensions(mm) (LxWxH)	Gross Weight (kg)	Packing Qty (pcs/unit)
140057410	LEDspotGR-HJ-2 60W-3000-24D-GY-GP	316*188*151	2.375	402*334*346	9.5	4
140057411	LEDspotGR-HJ-2 60W-4000-24D-GY-GP	316*188*151	2.375	402*334*346	9.5	4
140056862	LEDspotGR-HJ-1 40W-3000-24D-WH-GP	224*222*180	1.93	470*470*402	15.44	8
140056863	LEDspotGR-HJ-1 40W-4000-24D-WH-GP	224*222*180	1.93	470*470*402	15.44	8
140057412	LEDspotGR-HJ-1 40W-3000-24D-GY-GP	224*222*180	1.93	470*470*402	15.44	8
140057413	LEDspotGR-HJ-1 40W-4000-24D-GY-GP	224*222*180	1.93	470*470*402	15.44	8
140056864	LEDspotGR-HJ-2 80W-3000-24D-WH-GP	380*222*180	3.63	470*398*402	14.52	4
140056865	LEDspotGR-HJ-2 80W-4000-24D-WH-GP	380*222*180	3.63	470*398*402	14.52	4
140057414	LEDspotGR-HJ-2 80W-3000-24D-GY-GP	380*222*180	3.63	470*398*402	14.52	4
140057415	LEDspotGR-HJ-2 80W-4000-24D-GY-GP	380*222*180	3.63	470*398*402	14.52	4

## Dimensional Drawing



Model	L (mm)	W (mm)	H (mm)	Cut Out (mm)
LED SP-GR HJ-1 10W	115	115	83	95*95
LED SP-GR HJ-2 20W	205	115	83	175*95
LED SP-GR HJ-1 20W	147	147	117	130*130
LED SP-GR HJ-2 40W	264	147	117	255*130
LED SP-GR HJ-1 30W	147	147	117	130*130
LED SP-GR HJ-2 60W	264	147	117	255*130
LED SP-GR HJ-1 40W	185	185	145	165*165
LED SP-GR HJ-2 80W	340	185	145	320*165

## Photometric Data



24D



LED Spotlight 2W EcoMax

## Features

- Flicker free
- Integrated clip mounts
- Compact size

## Benefits

- Stress free ambient light
- Easy installation
- Use in tight spaces, minimal aesthetic footprint

## Application



## Specification

Item Code	Item Description	Power (W)	Power Factor	Lumen (lm)	Efficacy (lm/W)	Input Current (mA)	CRI	CCT (K)	Lifetime (L70B50)	MOQ (pcs)
140047271	LEDspotRF-E 2W-3000-25D-AL-GP	2	0.40	80	40	22	>80	3000	20Khrs	2000
140047272	LEDspotRF-E 2W-4000-25D-AL-GP	2	0.40	80	40	22	>80	4000	20Khrs	2000
140047273	LEDspotRF-E 2W-6500-25D-AL-GP	2	0.40	80	40	22	>80	6500	20Khrs	2000

### Technical Specifications

On / Off Cycles	20,000
Colour Consistency (SDCM)	7
Dimmable	No
Beam Angle (°)	25
Finishing Colour	Silver
IP	20
Driver Integrated (Yes/No)	No
Glow Wire Test	650°C
Driver Failure Rate	1% at 5000h
Weight (kg/pc)	0.03

### Electrical Supply

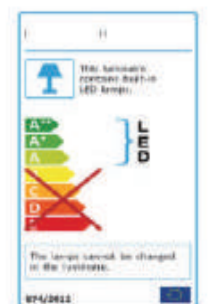
Frequency (Hz)	50/60
Voltage (V)	220-240
AC/DC	AC

### Mechanical Properties

Housing Material	Aluminum
Optical Material	PMMA

### Application Conditions

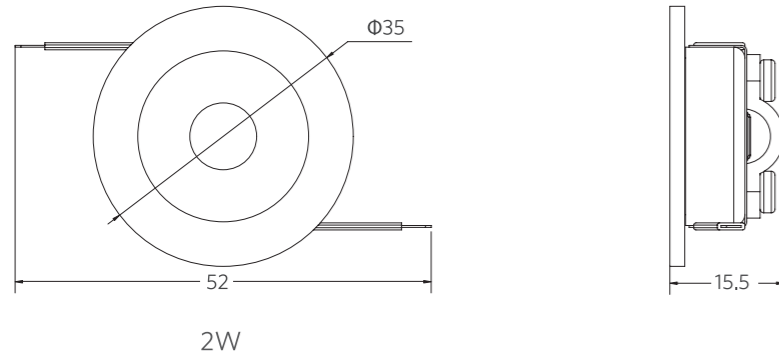
Operating Temperature	-10-40°C
Application Temperature	25°C
Storage Environment	-25-50°C



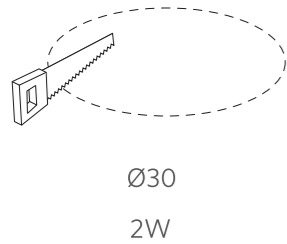
## Packaging Information

Item		Single Box(1pc/box)		Packaging Unit (240pcs/unit)	
Item Code	Item Description	Dimensions(mm) (LxWxH)	Gross Weight (kg)	Dimensions(mm) (LxWxH)	Gross Weight (kg)
140047271	LEDspotRF-E 2W-3000-25D-AL-GP	115x75x30	0.05	540x335x330	12
140047272	LEDspotRF-E 2W-4000-25D-AL-GP	115x75x30	0.05	540x335x330	12
140047273	LEDspotRF-E 2W-6500-25D-AL-GP	115x75x30	0.05	540x335x330	12

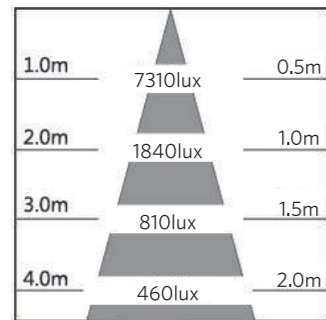
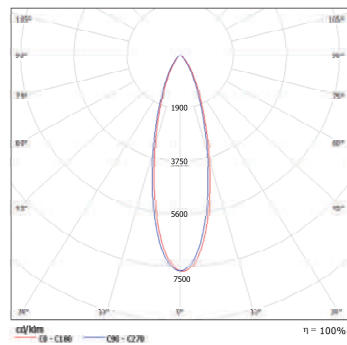
## Dimensional Drawing



## Cut-out Drawing



## Photometric Data



## LED Spotlight Track Performer

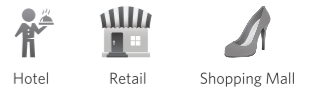
### Features

- Multiple beam angle options: 10°, 15°, 20°, or 30°
- Tilt 180°, rotate 355°
- No UV radiation
- Energy efficient

### Benefits

- Accommodate different display sizes and ceiling heights
- Light where you need it
- Prevents color distortion, won't damage cloth or artwork
- Up to 50% energy savings compared to CDM

### Application



## Specification

Item Code	Item Description	Power (W)	Power Factor	Lumen (lm)	Efficacy (lm/W)	Input Current (mA)	CRI	UGR	CCT (K)	Lifetime (L70B50)	MOQ (pcs)
140044829	LEDspotTR-P 30W-3000-10D-WH-GP	30	0.95	1900	63	150	≥80	16	3000	30Khrs	600
140044830	LEDspotTR-P 30W-3000-20D-WH-GP	30	0.95	1900	63	150	≥80	16	3000	30Khrs	600
140044831	LEDspotTR-P 30W-3000-30D-WH-GP	30	0.95	1900	63	150	≥80	16	3000	30Khrs	600
140044832	LEDspotTR-P 45W-3000-15D-WH-GP	45	0.95	3400	76	230	≥80	16	3000	30Khrs	600
140044833	LEDspotTR-P 45W-3000-20D-WH-GP	45	0.95	3400	76	230	≥80	16	3000	30Khrs	600
140044834	LEDspotTR-P 45W-3000-30D-WH-GP	45	0.95	3400	76	230	≥80	16	3000	30Khrs	600
140046556	LEDspotTR-P 30W-4000-10D-WH-GP	30	0.95	1900	63	150	≥80	16	4000	30Khrs	600
140046557	LEDspotTR-P 30W-4000-20D-WH-GP	30	0.95	1900	63	150	≥80	16	4000	30Khrs	600
140046558	LEDspotTR-P 30W-4000-30D-WH-GP	30	0.95	1900	63	150	≥80	16	4000	30Khrs	600
140046559	LEDspotTR-P 45W-4000-15D-WH-GP	45	0.95	3400	76	230	≥80	16	4000	30Khrs	600
140046560	LEDspotTR-P 45W-4000-20D-WH-GP	45	0.95	3400	76	230	≥80	16	4000	30Khrs	600
140046561	LEDspotTR-P 45W-4000-30D-WH-GP	45	0.95	3400	76	230	≥80	16	4000	30Khrs	600
140046562	LEDspotTR-P 30W-5000-10D-WH-GP	30	0.95	1900	63	150	≥80	16	5000	30Khrs	600
140046563	LEDspotTR-P 30W-5000-20D-WH-GP	30	0.95	1900	63	150	≥80	16	5000	30Khrs	600
140046564	LEDspotTR-P 30W-5000-30D-WH-GP	30	0.95	1900	63	150	≥80	16	5000	30Khrs	600
140046565	LEDspotTR-P 45W-5000-15D-WH-GP	45	0.95	3400	76	230	≥80	16	5000	30Khrs	600
140046566	LEDspotTR-P 45W-5000-20D-WH-GP	45	0.95	3400	76	230	≥80	16	5000	30Khrs	600
140046567	LEDspotTR-P 45W-5000-30D-WH-GP	45	0.95	3400	76	230	≥80	16	5000	30Khrs	600
140051620	LEDspotTR-P 30W-5700-10D-WH-GP	30	0.95	1900	63	150	≥80	16	5700	30Khrs	600
140051621	LEDspotTR-P 30W-5700-20D-WH-GP	30	0.95	1900	63	150	≥80	16	5700	30Khrs	600
140051622	LEDspotTR-P 30W-5700-30D-WH-GP	30	0.95	1900	63	150	≥80	16	5700	30Khrs	600
140051626	LEDspotTR-P 45W-5700-15D-WH-GP	45	0.95	3400	76	230	≥80	16	5700	30Khrs	600
140051627	LEDspotTR-P 45W-5700-20D-WH-GP	45	0.95	3400	76	230	≥80	16	5700	30Khrs	600
140051628	LEDspotTR-P 45W-5700-30D-WH-GP	45	0.95	3400	76	230	≥80	16	5700	30Khrs	600
140051319	LEDspotTR-P 30W-3000-10D-BL-GP	30	0.95	1900	63	150	≥80	16	3000	30Khrs	600
140051320	LEDspotTR-P 30W-3000-20D-BL-GP	30	0.95	1900	63	150	≥80	16	3000	30Khrs	600
140051321	LEDspotTR-P 30W-3000-30D-BL-GP	30	0.95	1900	63	150	≥80	16	3000	30Khrs	600
140051322	LEDspotTR-P 45W-3000-15D-BL-GP	45	0.95	3400	76	230	≥80	16	3000	30Khrs	600
140051323	LEDspotTR-P 45W-3000-20D-BL-GP	45	0.95	3400	76	230	≥80	16	3000	30Khrs	600
140051324	LEDspotTR-P 45W-3000-30D-BL-GP	45	0.95	3400	76	230	≥80	16	3000	30Khrs	600
140051325	LEDspotTR-P 30W-4000-10D-BL-GP	30	0.95	1900	63	150	≥80	16	4000	30Khrs	600
140051326	LEDspotTR-P 30W-4000-20D-BL-GP	30	0.95	1900	63	150	≥80	16	4000	30Khrs	600



Item Code	Item Description	Power (W)	Power Factor	Lumen (lm)	Efficacy (lm/W)	Input Current (mA)	CRI	UGR	CCT (K)	Lifetime (L70B50)	MOQ (pcs)
140051327	LEDSpotTR-P 30W-4000-30D-BL-GP	30	0.95	1900	63	150	≥80	16	4000	30Khrs	600
140051328	LEDSpotTR-P 45W-4000-15D-BL-GP	45	0.95	3400	76	230	≥80	16	4000	30Khrs	600
140051329	LEDSpotTR-P 45W-4000-20D-BL-GP	45	0.95	3400	76	230	≥80	16	4000	30Khrs	600
140051330	LEDSpotTR-P 45W-4000-30D-BL-GP	45	0.95	3400	76	230	≥80	16	4000	30Khrs	600
140051331	LEDSpotTR-P 30W-5000-10D-BL-GP	30	0.95	1900	63	150	≥80	16	5000	30Khrs	600
140051332	LEDSpotTR-P 30W-5000-20D-BL-GP	30	0.95	1900	63	150	≥80	16	5000	30Khrs	600
140051333	LEDSpotTR-P 30W-5000-30D-BL-GP	30	0.95	1900	63	150	≥80	16	5000	30Khrs	600
140051334	LEDSpotTR-P 45W-5000-15D-BL-GP	45	0.95	3400	76	230	≥80	16	5000	30Khrs	600
140051335	LEDSpotTR-P 45W-5000-20D-BL-GP	45	0.95	3400	76	230	≥80	16	5000	30Khrs	600
140051336	LEDSpotTR-P 45W-5000-30D-BL-GP	45	0.95	3400	76	230	≥80	16	5000	30Khrs	600
140051623	LEDSpotTR-P 30W-5700-10D-BL-GP	30	0.95	1900	63	150	≥80	16	5700	30Khrs	600
140051624	LEDSpotTR-P 30W-5700-20D-BL-GP	30	0.95	1900	63	150	≥80	16	5700	30Khrs	600
140051625	LEDSpotTR-P 30W-5700-30D-BL-GP	30	0.95	1900	63	150	≥80	16	5700	30Khrs	600
140051629	LEDSpotTR-P 45W-5700-15D-BL-GP	45	0.95	3400	76	230	≥80	16	5700	30Khrs	600
140051630	LEDSpotTR-P 45W-5700-20D-BL-GP	45	0.95	3400	76	230	≥80	16	5700	30Khrs	600
140051631	LEDSpotTR-P 45W-5700-30D-BL-GP	45	0.95	3400	76	230	≥80	16	5700	30Khrs	600

### Accessory information

Accessories	Length(mm)	Weight(pc/kg)	MOQ (pcs)	Picture	
140001813	LG310/WH/C	100	White	100	
140001814	LG310/BK/C	100	Black	100	
140001815	LG315/WH/C	150	White	100	
140001816	LG315/BK/C	150	Black	100	
140001817	LG320/WH/C	200	White	100	
140001818	LG320/BK/C	200	Black	100	
140001825	3LGB/I/WH	/	White	100	
140001826	3LGB/I/BK	/	Black	100	
140001821	3LGB/L/WH	/	White	100	
140001822	3LGB/L/BK	/	Black	100	
140001823	3LGB/T/WH	/	White	100	
140001824	3LGB/T/BK	/	Black	100	
140001819	3LGB+/WH	/	White	100	
140001820	3LGB+/BK	/	Black	100	

Technical Specifications	
On / Off Cycles	50,000
Colour Consistency (SDCM)	6
Dimmable	No
Beam Angle (°)	10/15/20/30
Finishing Colour	White/Black
IP	20
Driver Integrated (Yes/No)	Yes
Glow Wire Test	650°C
Driver Failure Rate	1% at 5000h
Weight (kg/pc)	1.02

Electrical Supply	
Frequency (Hz)	50 / 60
Voltage (V)	220-240
AC/DC	AC

Mechanical Properties	
Housing Material	Aluminum
Optical Material	PC

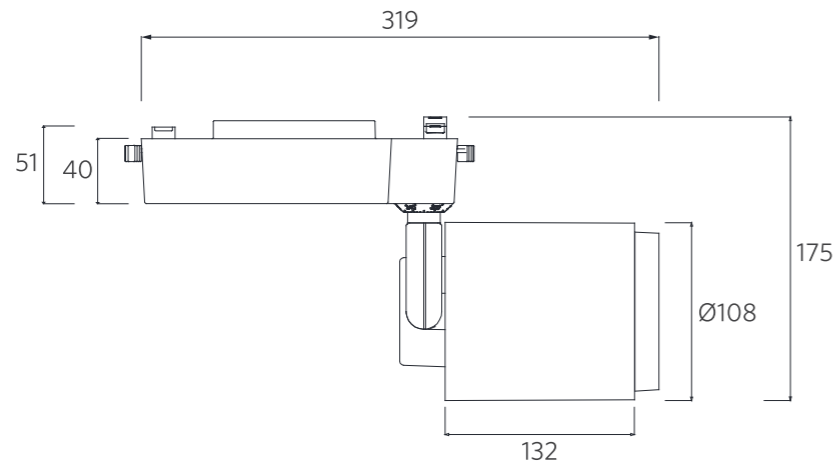
Application Conditions	
Operating Temperature	-10-40°C
Application Temperature	25°C
Storage Environment	-25-50°C



### Packaging Information

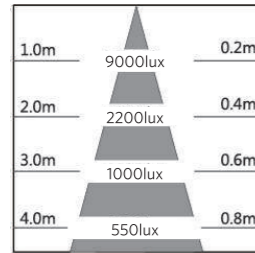
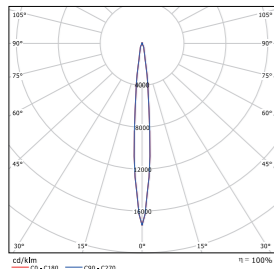
Item Code	Item Description	Single Box(1pc/box)		Packaging Unit(8pcs/unit)	
		Dimensions(mm) (LxWxH)	Gross Weight (kg)	Dimensions(mm) (LxWxH)	Gross Weight (kg)
140044829	LEDSpotTR-P 30W-3000-10D-WH-GP	222*180*122	1.3	510*375*245	10.42
140044830	LEDSpotTR-P 30W-3000-20D-WH-GP	222*180*122	1.3	510*375*245	10.42
140044831	LEDSpotTR-P 30W-3000-30D-WH-GP	222*180*122	1.3	510*375*245	10.42
140044832	LEDSpotTR-P 45W-3000-15D-WH-GP	222*180*122	1.3	510*375*245	10.42
140044833	LEDSpotTR-P 45W-3000-20D-WH-GP	222*180*122	1.3	510*375*245	10.42
140044834	LEDSpotTR-P 45W-3000-30D-WH-GP	222*180*122	1.3	510*375*245	10.42
140046556	LEDSpotTR-P 30W-4000-10D-WH-GP	222*180*122	1.3	510*375*245	10.42
140046557	LEDSpotTR-P 30W-4000-20D-WH-GP	222*180*122	1.3	510*375*245	10.42
140046558	LEDSpotTR-P 30W-4000-30D-WH-GP	222*180*122	1.3	510*375*245	10.42
140046559	LEDSpotTR-P 45W-4000-15D-WH-GP	222*180*122	1.3	510*375*245	10.42
140046560	LEDSpotTR-P 45W-4000-20D-WH-GP	222*180*122	1.3	510*375*245	10.42
140046561	LEDSpotTR-P 45W-4000-30D-WH-GP	222*180*122	1.3	510*375*245	10.42
140046562	LEDSpotTR-P 30W-5000-10D-WH-GP	222*180*122	1.3	510*375*245	10.42
140046563	LEDSpotTR-P 30W-5000-20D-WH-GP	222*180*122	1.3	510*375*245	10.42
140046564	LEDSpotTR-P 30W-5000-30D-WH-GP	222*180*122	1.3	510*375*245	10.42
140046565	LEDSpotTR-P 45W-5000-15D-WH-GP	222*180*122	1.3	510*375*245	10.42
140046566	LEDSpotTR-P 45W-5000-20D-WH-GP	222*180*122	1.3	510*375*245	10.42
140046567	LEDSpotTR-P 45W-5000-30D-WH-GP	222*180*122	1.3	510*375*245	10.42
140051620	LEDSpotTR-P 30W-5700-10D-WH-GP	222*180*122	1.3	510*375*245	10.42
140051621	LEDSpotTR-P 30W-5700-20D-WH-GP	222*180*122	1.3	510*375*245	10.42
140051622	LEDSpotTR-P 30W-5700-30D-WH-GP	222*180*122	1.3	510*375*245	10.42
140051626	LEDSpotTR-P 45W-5700-15D-WH-GP	222*180*122	1.3	510*375*245	10.42
140051627	LEDSpotTR-P 45W-5700-20D-WH-GP	222*180*122	1.3	510*375*245	10.42
140051628	LEDSpotTR-P 45W-5700-30D-WH-GP	222*180*122	1.3	510*375*245	10.42
140051319	LEDSpotTR-P 30W-3000-10D-BL-GP	222*180*122	1.3	510*375*245	10.42
140051320	LEDSpotTR-P 30W-3000-20D-BL-GP	222*180*122	1.3	510*375*245	10.42
140051321	LEDSpotTR-P 30W-3000-30D-BL-GP	222*180*122	1.3	510*375*245	10.42
140051322	LEDSpotTR-P 45W-3000-15D-BL-GP	222*180*122	1.3	510*375*245	10.42
140051323	LEDSpotTR-P 45W-3000-20D-BL-GP	222*180*122	1.3	510*375*245	10.42
140051324	LEDSpotTR-P 45W-3000-30D-BL-GP	222*180*122	1.3	510*375*245	10.42
140051325	LEDSpotTR-P 30W-4000-10D-BL-GP	222*180*122	1.3	510*375*245	10.42
140051326	LEDSpotTR-P 30W-4000-20D-BL-GP	222*180*122	1.3	510*375*245	10.42
140051327	LEDSpotTR-P 30W-4000-30D-BL-GP	222*180*122	1.3	510*375*245	10.42
140051328	LEDSpotTR-P 45W-4000-15D-BL-GP	222*180*122	1.3	510*375*245	10.42
140051329	LEDSpotTR-P 45W-4000-20D-BL-GP	222*180*122	1.3	510*375*245	10.42
140051330	LEDSpotTR-P 45W-4000-30D-BL-GP	222*180*122	1.3	510*375*245	10.42
140051331	LEDSpotTR-P 30W-5000-10D-BL-GP	222*180*122	1.3	510*375*245	10.42
140051332	LEDSpotTR-P 30W-5000-20D-BL-GP	222*180*122	1.3	510*375*245	10.42
140051333	LEDSpotTR-P 30W-5000-30D-BL-GP	222*180*122	1.3	510*375*245	10.42
140051334	LEDSpotTR-P 45W-5000-15D-BL-GP	222*180*122	1.3	510*375*245	10.42
140051335	LEDSpotTR-P 45W-5000-20D-BL-GP	222*180*122	1.3	510*375*245	10.42
140051336	LEDSpotTR-P 45W-5000-30D-BL-GP	222*180*122	1.3	510*375*245	10.42
140051623	LEDSpotTR-P 30W-5700-10D-BL-GP	222*180*122	1.3	510*375*245	10.42
140051624	LEDSpotTR-P 30W-5700-20D-BL-GP	222*180*122	1.3	510*375*245	10.42
140051625	LEDSpotTR-P 30W-5700-30D-BL-GP	222*180*122	1.3	510*375*245	10.42
140051629	LEDSpotTR-P 45W-5700-15D-BL-GP	222*180*122	1.3	510*375*245	10.42
140051630	LEDSpotTR-P 45W-5700-20D-BL-GP	222*180*122	1.3	510*375*245	10.42
140051631	LEDSpotTR-P 45W-5700-30D-BL-GP	222*180*122	1.3	510*375*245	10.42

## Dimensional Drawing

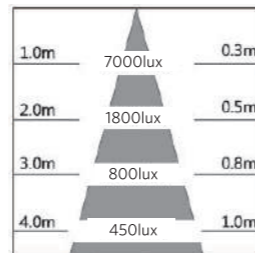
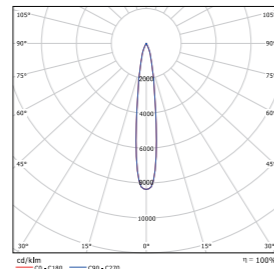


30W/45W

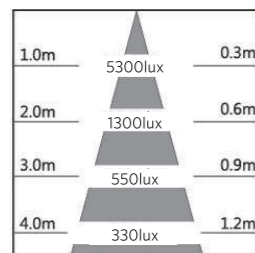
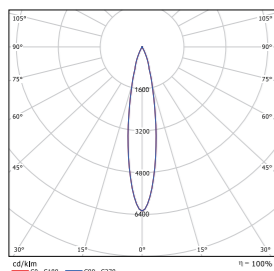
## Photometric Data



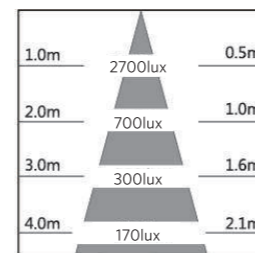
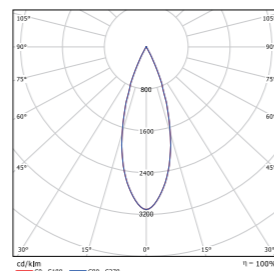
10°(30W)



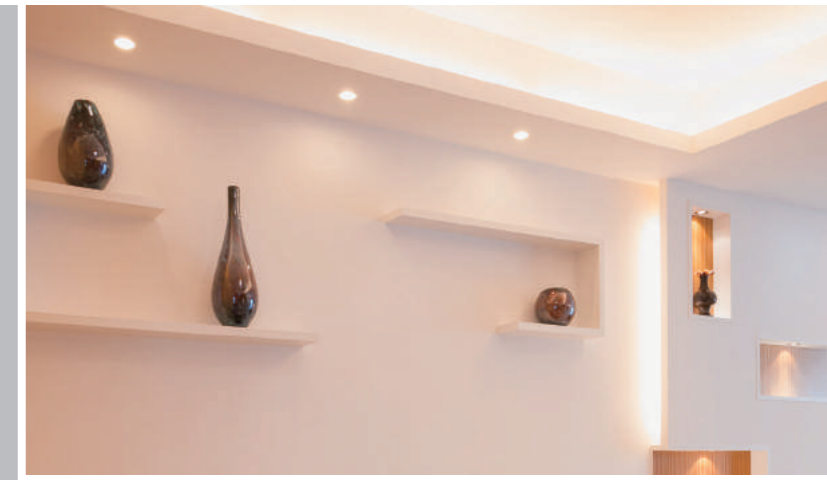
15°(45W)



20°(30W/45W)



30°(30W/45W)



LED Spotlight Track EcoMax

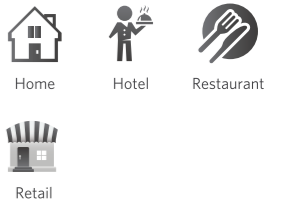
## Features

- High quality and economical LED chips with exquisite optical lens
- Aluminum housing ensure better thermal control
- Flexible adjustment horizontally and vertically

## Benefits

- Uniform light beam with clean beam angle
- Efficient LED chips work with comfortable light
- Flexible to highlight the displayed goods from various angle

## Application

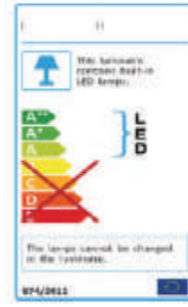


## Specification

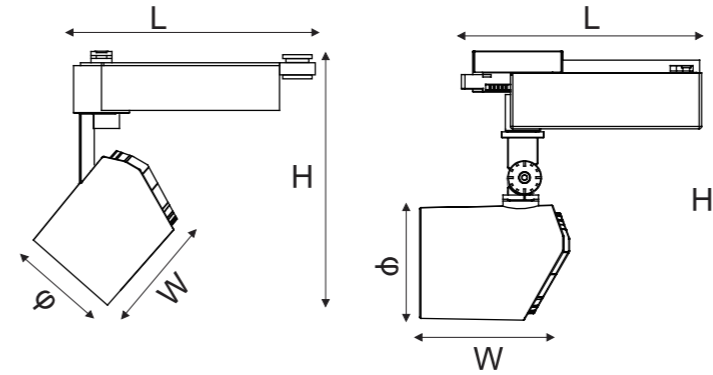
Item Code	Item Description	Power (W)	Power Factor	Lumen (lm)	Efficacy (lm/W)	Input Current (mA)	CRI (Ra)	CCT (K)	Lifetime (L70B50)	MOQ (pcs)
140059297	LEDSpotTR-E 7W-3000K-15D-WH-GP	7	0.5	500	71	67	≥80	3000	30Khrs	480
140059298	LEDSpotTR-E 7W-4000K-15D-WH-GP	7	0.5	500	71	67	≥80	4000	30Khrs	480
140059299	LEDSpotTR-E 7W-3000K-24D-WH-GP	7	0.5	500	71	67	≥80	3000	30Khrs	480
140059300	LEDSpotTR-E 7W-4000K-24D-WH-GP	7	0.5	500	71	67	≥80	4000	30Khrs	480
140059301	LEDSpotTR-E 7W-3000K-40D-WH-GP	7	0.5	500	71	67	≥80	3000	30Khrs	480
140059302	LEDSpotTR-E 7W-4000K-40D-WH-GP	7	0.5	500	71	67	≥80	4000	30Khrs	480
140059303	LEDSpotTR-E 12W-3000K-15D-WH-GP	12	0.5	800	67	102	≥80	3000	30Khrs	480
140059304	LEDSpotTR-E 12W-4000K-15D-WH-GP	12	0.5	800	67	102	≥80	4000	30Khrs	480
140059305	LEDSpotTR-E 12W-3000K-24D-WH-GP	12	0.5	800	67	102	≥80	3000	30Khrs	480
140059306	LEDSpotTR-E 12W-4000K-24D-WH-GP	12	0.5	800	67	102	≥80	4000	30Khrs	480
140059307	LEDSpotTR-E 12W-3000K-40D-WH-GP	12	0.5	800	67	102	≥80	3000	30Khrs	480
140059308	LEDSpotTR-E 12W-4000K-40D-WH-GP	12	0.5	800	67	102	≥80	4000	30Khrs	480
140059309	LEDSpotTR-E 18W-3000K-15D-WH-GP	18	0.9	1300	72	86	≥80	3000	30Khrs	300
140059310	LEDSpotTR-E 18W-4000K-15D-WH-GP	18	0.9	1300	72	86	≥80	4000	30Khrs	300
140059311	LEDSpotTR-E 18W-3000K-24D-WH-GP	18	0.9	1300	72	86	≥80	3000	30Khrs	300
140059312	LEDSpotTR-E 18W-4000K-24D-WH-GP	18	0.9	1300	72	86	≥80	4000	30Khrs	300
140059313	LEDSpotTR-E 18W-3000K-40D-WH-GP	18	0.9	1300	72	86	≥80	3000	30Khrs	300
140059314	LEDSpotTR-E 18W-4000K-40D-WH-GP	18	0.9	1300	72	86	≥80	4000	30Khrs	300
140059315	LEDSpotTR-E 24W-3000K-15D-WH-GP	24	0.9	1700	71	112	≥80	3000	30Khrs	300
140059316	LEDSpotTR-E 24W-4000K-15D-WH-GP	24	0.9	1700	71	112	≥80	4000	30Khrs	300
140059317	LEDSpotTR-E 24W-3000K-24D-WH-GP	24	0.9	1700	71	112	≥80	3000	30Khrs	300
140059318	LEDSpotTR-E 24W-4000K-24D-WH-GP	24	0.9	1700	71	112	≥80	4000	30Khrs	300
140059319	LEDSpotTR-E 24W-3000K-40D-WH-GP	24	0.9	1700	71	112	≥80	3000	30Khrs	300
140059320	LEDSpotTR-E 24W-4000K-40D-WH-GP	24	0.9	1700	71	112	≥80	4000	30Khrs	300

Technical Specifications	
On / Off Cycles	50,000
Colour Consistency (SDCM)	<6
Dimmable	No
Beam Angle (°)	15/24/40
Finishing Colour	White
IP	IP20
IK	IK02
Driver Integrated (Yes/No)	Yes
Glow Wire Test	650°C
Driver Failure Rate	1% at 5000h
Weight (kg/pc)	0.25/0.53/0.89

Electrical Supply	
Frequency (Hz)	50/60
Voltage (V)	220-240
AC/DC	AC
Mechanical Properties	
Housing Material	Aluminum
Optical Material	PC
Application Conditions	
Operating Temperature	-25-50°C
Application Temperature	25°C
Storage Environment	-25-50°C



### Dimensional Drawing

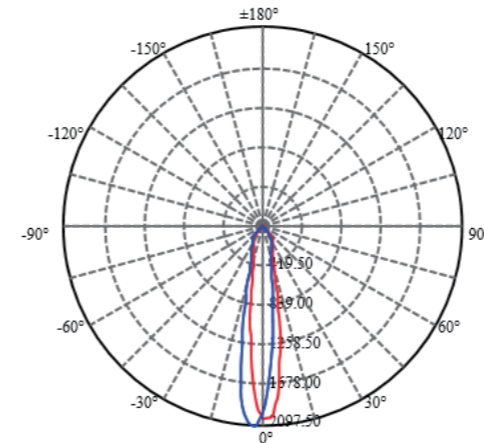


Model	Φ (mm)	L (mm)	W (mm)	H (mm)
LED SP-TR-E 7W-GP	57	169	80	142
LED SP-TR-E 12W-GP	57	169	80	142
LED SP-TR-E 18W-GP	73	157	96	165
LED SP-TR-E 24W-GP	92	210	126	212

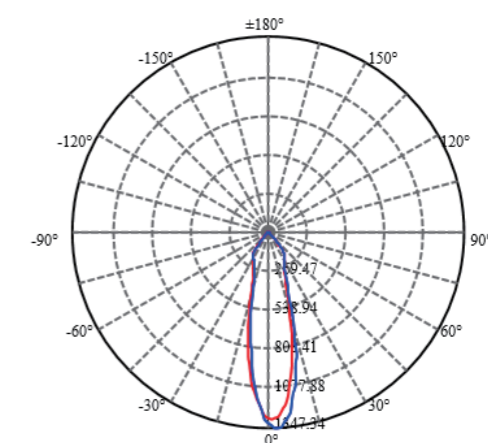
### Packaging Information

Item		Single Box(1pc/box)		Packaging Unit (48pcs/unit)		
Item Code	Item Description	Dimensions(mm) (LxWxH)	Gross Weight (kg)	Dimensions(mm) (LxWxH)	Gross Weight (kg)	Packing Qty (pcs/CTN)
140059297	LEDspotTR-E 7W-3000K-15D-WH-GP	185*145*75	0.41	455*388*170	4.92	12
140059298	LEDspotTR-E 7W-4000K-15D-WH-GP	185*145*75	0.41	455*388*170	4.92	12
140059299	LEDspotTR-E 7W-3000K-24D-WH-GP	185*145*75	0.41	455*388*170	4.92	12
140059300	LEDspotTR-E 7W-4000K-24D-WH-GP	185*145*75	0.41	455*388*170	4.92	12
140059301	LEDspotTR-E 7W-3000K-40D-WH-GP	185*145*75	0.41	455*388*170	4.92	12
140059302	LEDspotTR-E 7W-4000K-40D-WH-GP	185*145*75	0.41	455*388*170	4.92	12
140059303	LEDspotTR-E 12W-3000K-15D-WH-GP	185*145*75	0.41	455*388*170	4.92	12
140059304	LEDspotTR-E 12W-4000K-15D-WH-GP	185*145*75	0.41	455*388*170	4.92	12
140059305	LEDspotTR-E 12W-3000K-24D-WH-GP	185*145*75	0.41	455*388*170	4.92	12
140059306	LEDspotTR-E 12W-4000K-24D-WH-GP	185*145*75	0.41	455*388*170	4.92	12
140059307	LEDspotTR-E 12W-3000K-40D-WH-GP	185*145*75	0.41	455*388*170	4.92	12
140059308	LEDspotTR-E 12W-4000K-40D-WH-GP	185*145*75	0.41	455*388*170	4.92	12
140059309	LEDspotTR-E 18W-3000K-15D-WH-GP	230*178*95	0.777	480*380*300	9.32	12
140059310	LEDspotTR-E 18W-4000K-15D-WH-GP	230*178*95	0.777	480*380*300	9.32	12
140059311	LEDspotTR-E 18W-3000K-24D-WH-GP	230*178*95	0.777	480*380*300	9.32	12
140059312	LEDspotTR-E 18W-4000K-24D-WH-GP	230*178*95	0.777	480*380*300	9.32	12
140059313	LEDspotTR-E 18W-3000K-40D-WH-GP	230*178*95	0.777	480*380*300	9.32	12
140059314	LEDspotTR-E 18W-4000K-40D-WH-GP	230*178*95	0.777	480*380*300	9.32	12
140059315	LEDspotTR-E 24W-3000K-15D-WH-GP	250*232*115	1.286	520*484*370	15.43	12
140059316	LEDspotTR-E 24W-4000K-15D-WH-GP	250*232*115	1.286	520*484*370	15.43	12
140059317	LEDspotTR-E 24W-3000K-24D-WH-GP	250*232*115	1.286	520*484*370	15.43	12
140059318	LEDspotTR-E 24W-4000K-24D-WH-GP	250*232*115	1.286	520*484*370	15.43	12
140059319	LEDspotTR-E 24W-3000K-40D-WH-GP	250*232*115	1.286	520*484*370	15.43	12
140059320	LEDspotTR-E 24W-4000K-40D-WH-GP	250*232*115	1.286	520*484*370	15.43	12

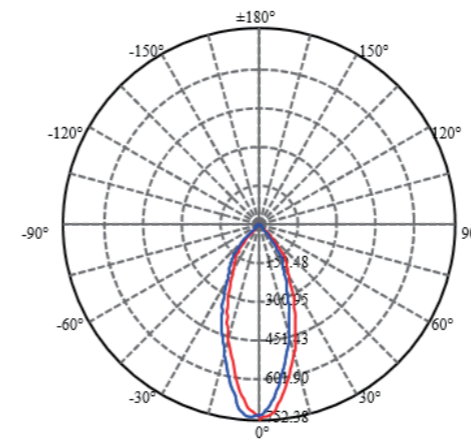
### Photometric Data



15D



24D



40D



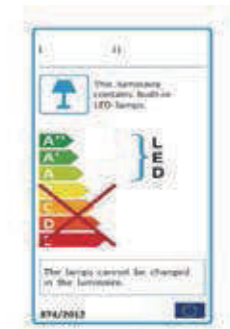
## LED Spotlight Track Utility

Technical Specifications	
Colour Consistency (SDCM)	6
Dimmable	No
Housing Colour	White
IP	IP20
IK	IK02
Driver integrated (Yes/No)	No
Glow wire test	650°C
Driver failure rate	1% at 5000h
Weight (pc/kg)	0.15/0.27/0.43/0.65

Electrical Supply	
Frequency (Hz)	50 / 60
Voltage (V)	220-240
AC/DC	AC

Mechanical Properties	
Housing Material	PC
Optical Material	PMMA

Application Conditions	
Operating Temperature	-25-50°C
Application Temperature	25°C
Storage Environment	-25-50°C



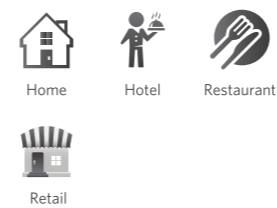
### Features

- High quality and economical LED chips with exquisite optical lens
- Aluminum housing ensure better thermal control
- Flexible adjustment horizontally and vertically

### Benefits

- Uniform light beam with clean beam angle
- Efficient LED chips work with comfortable light
- Flexible to highlight the displayed goods from various angle

### Application



### Specification

Item Code	Item Description	Power (W)	Power Factor	Lumen (lm)	Efficacy (lm/W)	Input Current (mA)	CRI (Ra)	CCT	Lifetime (L70B50)	MOQ (pcs)
140058511	LEDspotSM-U 5W-3000-30D-WH-GP	5	0.50	250	50	45	≥80	3000	20Khrs	500
140058512	LEDspotSM-U 5W-6500-30D-WH-GP	5	0.50	250	50	45	≥80	6500	20Khrs	500
140058513	LEDspotSM-U 7W-3000-30D-WH-GP	7	0.50	350	50	63	≥80	3000	20Khrs	500
140058514	LEDspotSM-U 7W-6500-30D-WH-GP	7	0.50	350	50	63	≥80	6500	20Khrs	500
140058507	LEDspotTR-U 5W-3000-30D-WH-GP	5	0.50	250	50	45	≥80	3000	20Khrs	500
140058508	LEDspotTR-U 5W-6500-30D-WH-GP	5	0.50	250	50	45	≥80	6500	20Khrs	500
140058509	LEDspotTR-U 7W-3000-30D-WH-GP	7	0.50	350	50	63	≥80	3000	20Khrs	500
140058510	LEDspotTR-U 7W-6500-30D-WH-GP	7	0.50	350	50	63	≥80	6500	20Khrs	500
140060534	LEDspotTR-U 5W-3000-30D-BK-GP	5	0.50	250	50	45	≥80	3000	20Khrs	500
140060535	LEDspotTR-U 5W-6500-30D-BK-GP	5	0.50	250	50	45	≥80	6500	20Khrs	500
140060536	LEDspotTR-U 7W-3000-30D-BK-GP	7	0.50	350	50	63	≥80	3000	20Khrs	500
140060537	LEDspotTR-U 7W-6500-30D-BK-GP	7	0.50	350	50	63	≥80	6500	20Khrs	500
140066316	LEDspotTR-U 12W-3000-30D-WH-GP	12	0.50	800	67	110	80	3000	20Khrs	500
140066317	LEDspotTR-U 12W-6500-30D-WH-GP	12	0.50	800	67	110	80	6500	20Khrs	500
140066318	LEDspotTR-U 20W-3000-30D-WH-GP	20	0.50	1200	60	170	80	3000	20Khrs	500
140066319	LEDspotTR-U 20W-6500-30D-WH-GP	20	0.50	1200	60	170	80	6500	20Khrs	500
140066320	LEDspotTR-U 30W-3000-30D-WH-GP	30	0.90	2200	73	140	80	3000	20Khrs	500
140066321	LEDspotTR-U 30W-6500-30D-WH-GP	30	0.90	2200	73	140	80	6500	20Khrs	500

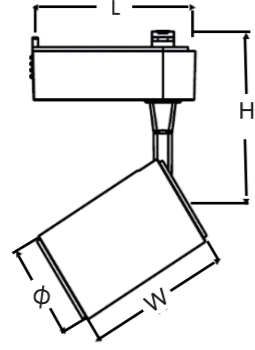
### Packaging Information

Item Code	Item Description	Single Box(1pc/box)		Packaging Unit (8pcs/unit)		
		Dimensions(mm) (LxWxH)	Gross Weight (kg)	Dimensions(mm) (LxWxH)	Gross Weight (kg)	Packing Qty (pcs/CTN)
140058511	LEDspotSM-U 5W-3000-30D-WH-GP	125*125*70	0.23	520*440*265	12.58	48
140058512	LEDspotSM-U 5W-6500-30D-WH-GP	125*125*70	0.23	520*440*265	12.58	48
140058513	LEDspotSM-U 7W-3000-30D-WH-GP	125*125*70	0.23	520*440*265	12.58	48
140058514	LEDspotSM-U 7W-6500-30D-WH-GP	125*125*70	0.23	520*440*265	12.58	48
140058507	LEDspotTR-U 5W-3000-30D-WH-GP	125*125*70	0.23	520*440*265	12.58	48
140058508	LEDspotTR-U 5W-6500-30D-WH-GP	125*125*70	0.23	520*440*265	12.58	48
140058509	LEDspotTR-U 7W-3000-30D-WH-GP	125*125*70	0.23	520*440*265	12.58	48
140058510	LEDspotTR-U 7W-6500-30D-WH-GP	125*125*70	0.23	520*440*265	12.58	48
140060534	LEDspotTR-U 5W-3000-30D-BK-GP	125*125*70	0.23	520*440*265	12.58	48
140060535	LEDspotTR-U 5W-6500-30D-BK-GP	125*125*70	0.23	520*440*265	12.58	48
140060536	LEDspotTR-U 7W-3000-30D-BK-GP	125*125*70	0.23	520*440*265	12.58	48
140060537	LEDspotTR-U 7W-6500-30D-BK-GP	125*125*70	0.23	520*440*265	12.58	48
140066316	LEDspotTR-U 12W-3000-30D-WH-GP	130*125*57	0.36	410*387*250	12.85	36
140066317	LEDspotTR-U 12W-6500-30D-WH-GP	130*125*57	0.36	410*387*250	12.85	36
140066318	LEDspotTR-U 20W-3000-30D-WH-GP	147*147*67	0.60	460*305*290	14.40	24
140066319	LEDspotTR-U 20W-6500-30D-WH-GP	147*147*67	0.60	460*305*290	14.40	24
140066320	LEDspotTR-U 30W-3000-30D-WH-GP	192*170*79	0.92	405*355*260	11.02	12
140066321	LEDspotTR-U 30W-6500-30D-WH-GP	192*170*79	0.92	405*355*260	11.02	12

### Accessory

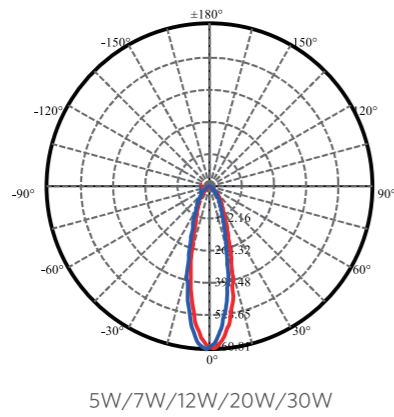
Item Code	Item Description	Packaging Unit			PIC
		Carton Demension (mm)(LxWxH)	Note	MOQ (pcs)	
140059216	LG205/WH DS	520*195*152	1 sap code contains 1 pc of 2C track, 1 carton contains 30pc	2000	
140059217	LG210/WH DS	1020*195*152	1 sap code contains 1 pc of 2C track, 1 carton contains 30pc	2000	
140059218	LGLJQ-I/WH	348*210*275	1 sap code contains 1 pc of I-shape connector, 1 carton contains 200pc	1000	
140059219	LGLJQ-L/WH	385*320*225	1 sap code contains 1 pc of L-shape connector, 1 carton contains 200pc	1000	
140060538	LG205/BK DS	520*195*152	1 sap code contains 1 pc of 2C track, 1 carton contains 30pc	2000	
140060539	LG210/BK DS	1020*195*152	1 sap code contains 1 pc of 2C track, 1 carton contains 30pc	2000	
140060540	LGLJQ-I/BK	348*210*275	1 sap code contains 1 pc of I-shape connector, 1 carton contains 200pc	1000	
140060541	LGLJQ-L/BK	385*320*225	1 sap code contains 1 pc of L-shape connector, 1 carton contains 200pc	1000	

## Dimensional Drawing



	Φ (mm)	L (mm)	W (mm)	H (mm)
LEDSpotTR-U 5W-3000-30D-WH-GP	50	88	79	116
LEDSpotTR-U 7W-6500-30D-WH-GP	50	88	79	116
LEDSpotTR-U 12W-3000-30D-WH-GP	50	126	110	127
LEDSpotTR-U 20W-6500-30D-WH-GP	60	144	134	137
LEDSpotTR-U 30W-3000-30D-WH-GP	73	206	139	167

## Photometric Data



# OPPLE LED PANEL





## LED Panel Zenith Upgrade

### Features

- Unique, see-through design
- Omnidirectional light emission
- Professional batwing light distribution
- 30000 HR lifetime
- Compatible with Opplle 1-10V, Dali & BT control module

### Benefits

- Easily matches different decoration style
- Offers more comfortable light, with the whole space being lit up brightly and evenly
- Ensures the even distribution of illumination surface, minimize the quantity of luminaires needed for same area
- Minimizes maintenance with long lifespan and low failure rate
- Flexible and easily upgradeable to intelligent application

### Application



### Specification

Item Code	Item Description	Power (w)	Power Factor	Lumen (lm)	Efficacy (lm/W)	Input Current (mA)	CRI	CCT (K)	Lifetime (L70B50)	MOQ (pcs)
140061356	LEDPanelSp-Z L1222-40W-4000-TR-GP	40	0.95	4000	100	370	≥80	4000	30Khrs	100
140061357	LEDPanelSp-Z L1222-40W-5700-TR-GP	40	0.95	4000	100	370	≥80	5700	30Khrs	100
140061358	LEDPanelSp-Z L1222-75W-4000-TR-GP	75	0.98	7500	100	370	≥80	4000	30Khrs	100
140061359	LEDPanelSp-Z L1222-75W-5700-TR-GP	75	0.98	7500	100	370	≥80	5700	30Khrs	100

#### Technical Specifications

On / Off Cycles	50000
Colour Consistency (SDCM)	6
Dimmable	No
Beam Angle (°)	156
Finishing Colour	Silver
IP	IP20
IK	IK02
Driver integrated (Yes/No)	No
Glow wire test	850°C
Driver Failure Rate	1% at 5000h
Weight (kg/pc)	4.00/4.10

#### Electrical Supply

Frequency (Hz)	50 / 60
Voltage (V)	220-240V
AC / DC	AC

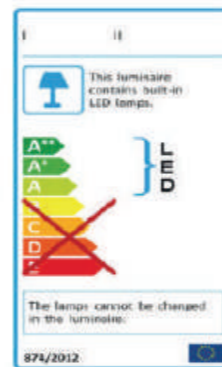
#### Mechanical Finishing Properties

Optical Material	PMMA
Housing Material	Aluminum

#### Application Conditions

Operating Temperature	-10-45°C
Application Temperature	25°C
Storage Environment	-25°C-50°C

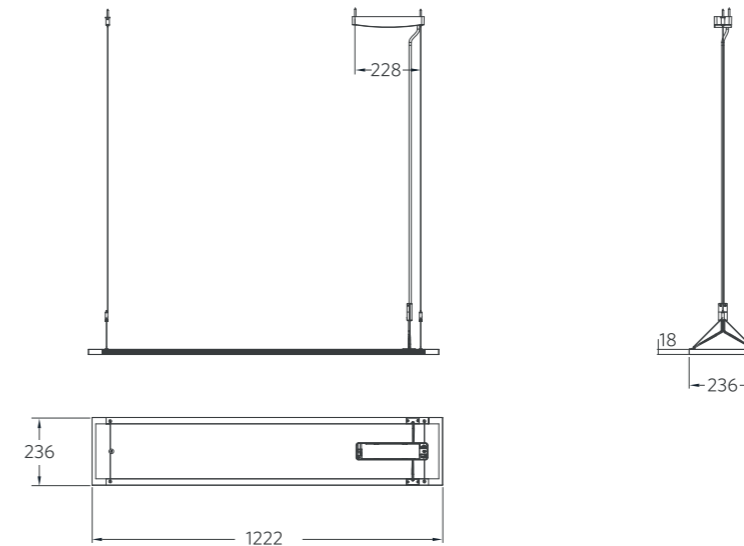
CE CB



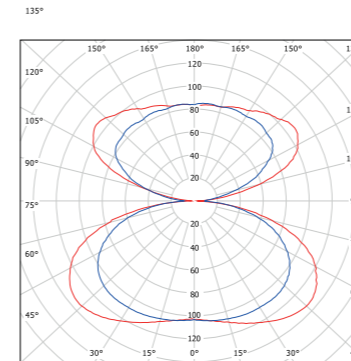
### Packaging Information

Item		Single Box(1pc/box)		Packaging Unit		
Item Code	Item Description	Dimensions(mm) (LxWxH)	Gross Weight (kg)	Dimensions(mm) (LxWxH)	Gross Weight (kg)	Packing Qty (pcs/unit)
140061356	LEDPanelSp-Z L1222-40W-4000-TR-GP	1332x348x92	5.526	1	5.526	1
140061357	LEDPanelSp-Z L1222-40W-5700-TR-GP	1332x348x92	5.526	1	5.526	1
140061358	LEDPanelSp-Z L1222-75W-4000-TR-GP	1332x348x92	5.626	1	5.626	1
140061359	LEDPanelSp-Z L1222-75W-5700-TR-GP	1332x348x92	5.626	1	5.626	1

### Dimensional Drawing



### Photometric Data

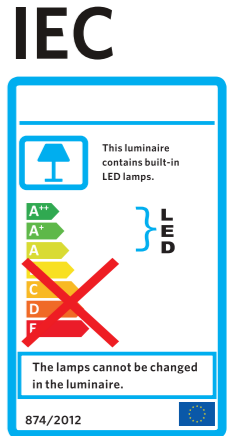




LED Slim Panel Ecomax II

Technical Specifications	
On / Off Cycles	10000
Colour Consistency (SDCM)	≤ 6
Dimmable	No
Beam Angle (°)	120
Finishing Colour	White
IP	IP20
Driver Integrated (Yes/No)	NO
Driver Failure Rate	1% at 5000h
Weight (kg/pc)	2.30/2.35/2.45

Electrical Supply	
Frequency (Hz)	50 / 60
Voltage (V)	220-240V
AC / DC	AC
Mechanical Finishing Properties	
Optical Material	PS (40W) PMMA (50W)
Housing Material	Aluminum
Application Conditions	
Operating Temperature	-10°C-45°C
Application Temperature	25°C
Storage Environment	-25°C-50°C



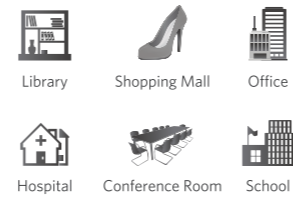
### Features

- Ultra slim
- Flicker free
- Long lifespan

### Benefits

- 7.7mm thickness for both recessed and suspended mounting
- Light without flicker brings comfort to working and living environment
- Up to 30000h lifespan enables lower maintainace cost

### Application



### Specification

Item Code	Item Description	Power (W)	Power Factor	Lumen (lm)	Efficacy (lm/W)	CRI	CCT (K)	Lifetime (L70B50)	MOQ (pcs)
140062128	LEDSPanelRc-EII Sq595-40W-3000-WH-R80-2	40	0.9	3200	80	80	3000	30000	200
140062129	LEDSPanelRc-EII Sq595-40W-4000-WH-R80-2	40	0.9	3200	80	80	4000	30000	200
140062130	LEDSPanelRc-EII Sq595-40W-6000-WH-R80-2	40	0.9	3200	80	80	6000	30000	200
140062317	LEDSPanelRc-EII Re295-40W-3000-WH-R80-2	40	0.9	3200	80	80	3000	30000	200
140062318	LEDSPanelRc-EII Re295-40W-4000-WH-R80-2	40	0.9	3200	80	80	4000	30000	200
140062319	LEDSPanelRc-EII Re295-40W-6000-WH-R80-2	40	0.9	3200	80	80	6000	30000	200
140065752	LEDSPanelRc-EII Re595-50W-4000-WH-GP	50	0.9	5000	100	80	4000	30000	200
140065753	LEDSPanelRc-EII Re595-50W-6500-WH-GP	50	0.9	5000	100	80	6500	30000	200

### Accessory

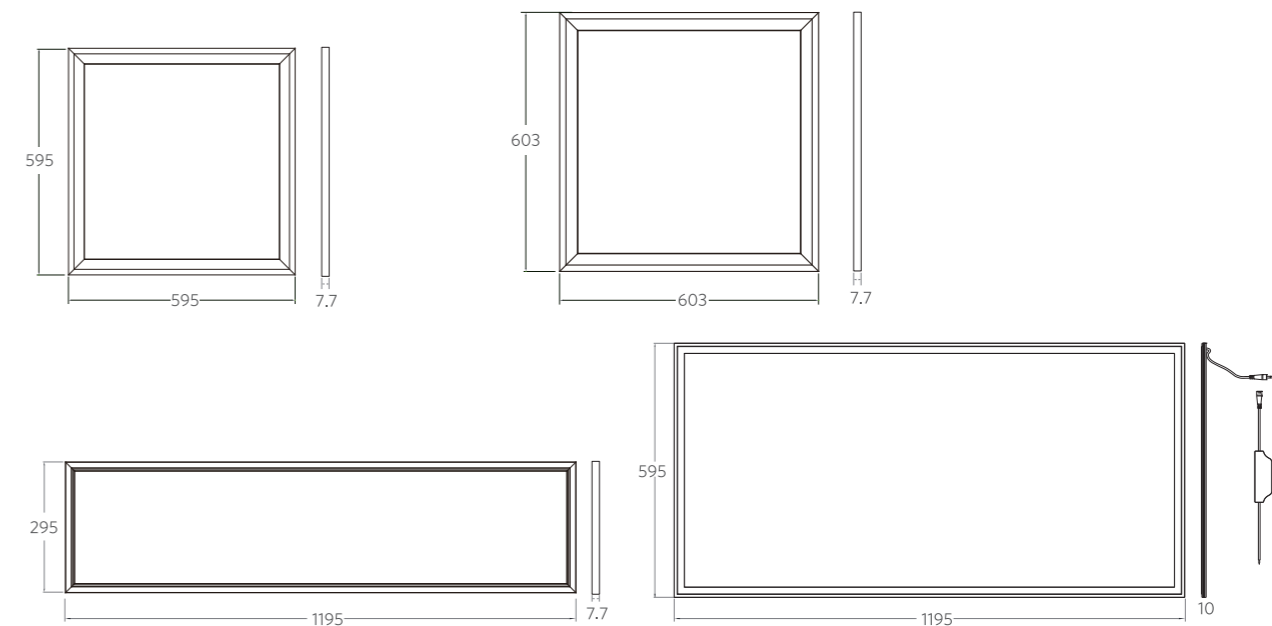
Item Code	Item Description	Packaging Unit		MOQ	Picture
		Carton Dimension(mm) (LxWxH)	Note		
140064016	LEDSPANEL-EII Clip 卡簧-1	323*75*228	20 sets (4pcs/set)	500	
140062131	LEDSPANEL-EII Suspended Rope-2	340*340*185	50 sets (4pcs/set)	500	
140058145	LEDSPanelRc-EII Sq595-Surface Module-WH	665*445*685	5 pcs per carton	500	

\* Quantity of clips for recessed mounting: 2x2: 4 clips; 1x4: 6 clips; 2x4: 6 clips

### Packaging Information

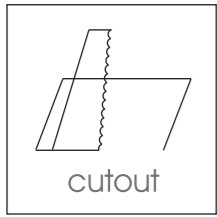
Item Code	Item Description	Single Box(1pc/box)		Packaging Unit		
		Dimensions(mm) (LxWxH)	Gross Weight (kg)	Dimensions(mm) (LxWxH)	Gross Weight (kg)	Packing Qty (pcs/unit)
140062128	LEDSPanelRc-EII Sq595-40W-3000-WH-R80-2	650*41*684	2.75	665*192*702	12.65	4
140062129	LEDSPanelRc-EII Sq595-40W-4000-WH-R80-2	650*41*684	2.75	665*192*702	12.65	4
140062130	LEDSPanelRc-EII Sq595-40W-6000-WH-R80-2	650*41*684	2.75	665*192*702	12.65	4
140062317	LEDSPanelRc-EII Re295-40W-3000-WH-R80-2	1257*47*337	3.05	1265*215*402	13.45	4
140062318	LEDSPanelRc-EII Re295-40W-4000-WH-R80-2	1257*47*337	3.05	1265*215*402	13.45	4
140062319	LEDSPanelRc-EII Re295-40W-6000-WH-R80-2	1257*47*337	3.05	1265*215*402	13.45	4
140065752	LEDSPanelRc-EII Re595-50W-4000-WH-GP	1257*50*640	6.30	1270*220*660	26.50	4
140065753	LEDSPanelRc-EII Re595-50W-6500-WH-GP	1257*50*640	6.30	1270*220*660	26.50	4

### Dimensional Drawing

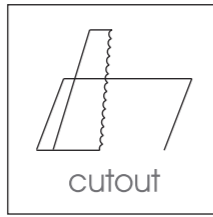




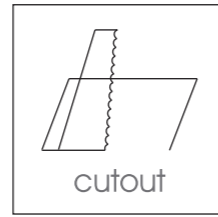
### Cut-out Drawing



585X585 (595/603)

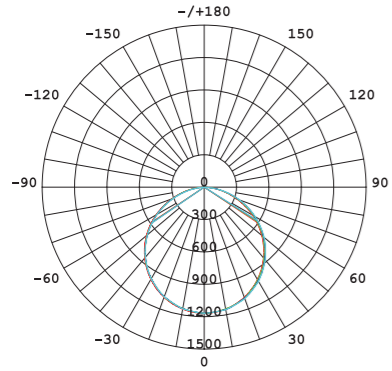


285X1185(1195)

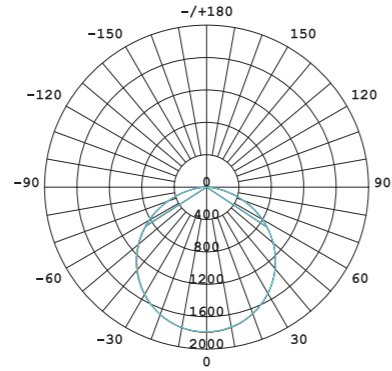


580X1180(6012)

### Photometric Data



120°(40W)



120° (50W)



LED Slim Panel Ecomax Power

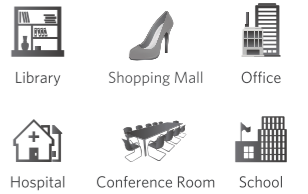
### Features

- As thin as 8mm
- Long lifespan combined with high flux and efficacy
- Multiple sizes and installation possibilities

### Benefits

- Sleek and thin panel can be perfectly merged with ceiling once installed
- Build a comfortable lighting environment of easier maintenance and more energy-saving
- Different product sizes for different application, fitted with various accessories

### Application



### Specification

Item Code	Item Description	Power (W)	Power Factor	Lumen (lm)	Efficacy (lm/W)	CRI	CCT (K)	Lifetime (L70B50)	MOQ (pcs)
542004003410	LEDSPanelRc-SL Sq295-20W-3000-WH-GP	20	>0.9	1600	80	80	3000	30000	500
542004003510	LEDSPanelRc-SL Sq295-20W-4000-WH-GP	20	>0.9	1600	80	80	4000	30000	500
542004003610	LEDSPanelRc-SL Sq295-20W-6500-WH-GP	20	>0.9	1600	80	80	6500	30000	500
140067569	LEDSPanelRc-SL Sq595-45W-3000-WH-GP	45	>0.9	4000	90	80	3000	30000	500
140067570	LEDSPanelRc-SL Sq595-45W-4000-WH-GP	45	>0.9	4000	90	80	4000	30000	500
140067571	LEDSPanelRc-SL Sq595-45W-6500-WH-GP	45	>0.9	4000	90	80	6500	30000	500
542004000310	LEDSPanelRc-SL Sq603-45W-3000-WH-GP	45	>0.9	4000	90	80	3000	30000	500
542004000210	LEDSPanelRc-SL Sq603-45W-4000-WH-GP	45	>0.9	4000	90	80	4000	30000	500
542004000110	LEDSPanelRc-SL Sq603-45W-6500-WH-GP	45	>0.9	4000	90	80	6500	30000	500
140067566	LEDSPanelRc-SL Re295-45W-3000-WH-GP	45	>0.9	4000	90	80	3000	30000	500
140067567	LEDSPanelRc-SL Re295-45W-4000-WH-GP	45	>0.9	4000	90	80	4000	30000	500
140067568	LEDSPanelRc-SL Re295-45W-6500-WH-GP	45	>0.9	4000	90	80	6500	30000	500

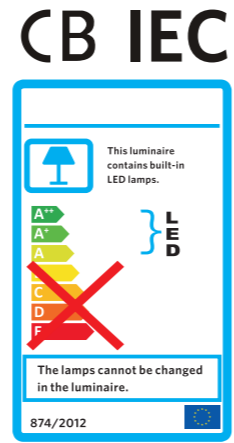
### Accessory

Item Code	Item Description	Packaging Unit		MOQ	Picture
		Carton Dimension(mm) (LxWxH)	Note		
140064016	LEDSPANEL-EII Clip 卡簧-1	323*75*228	20 sets (4pcs/set)	500	
140062131	LEDSPANEL-EII Suspended Rope-2	340*340*185	50 sets (4pcs/set)	500	
140058145	LEDSPanelRc-EII Sq595-Surface Module-WH	665*445*685	5 pcs per carton	500	

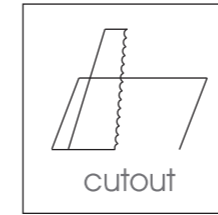
\* Quantity of clips for recessed mounting: 1x1: 2 clips; 2x2: 4 clips; 1x4: 6 clips

Technical Specifications	
On / Off Cycles	10,000
Colour Consistency (SDCM)	≤ 6
Dimmable	No
Beam Angle (°)	120°
Finishing Colour	White
IP	IP20
IK	IK02
Driver Integrated (Yes/No)	No
Glow Wire Test	650°C
Driver Failure Rate	1% at 5000h
Weight (kg/pc)	295*295: 0.62KG 595*595: 2.2KG 603*603: 2.25KG 295*1195: 2.35KG

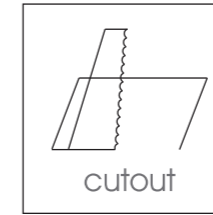
Electrical Supply	
Frequency (Hz)	50 / 60
Voltage (V)	220-240
AC / DC	AC
Mechanical Properties	
Housing Material	Aluminum
Optical Material	PS
Application Conditions	
Operating Temperature	-10-+45°C
Application Temperature	25°C
Minimum Start Temperature	-10°C
Storage Environment	-25-+50°C



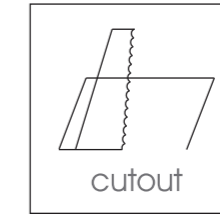
### Cut-out Drawing



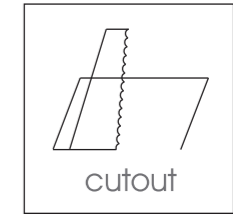
290X290  
(295X295)



585X585  
(595X595)

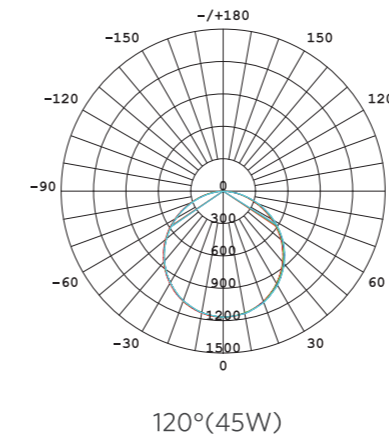


590X590  
(603X603)



285X1185  
(295X1195)

### Photometric Data

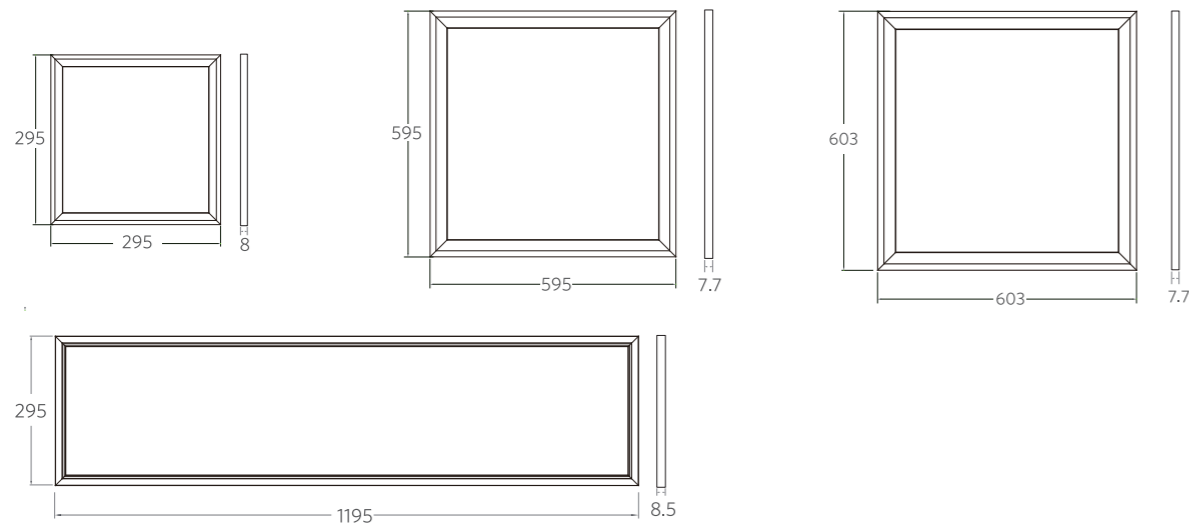


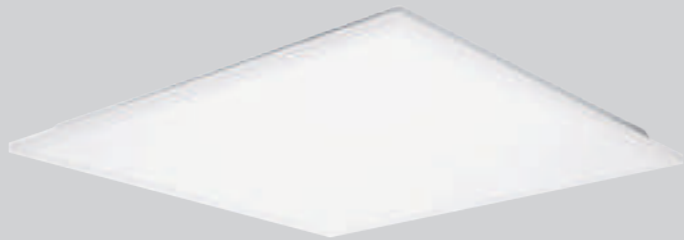
### Packaging Information

Item		Packaging Unit				
Item Code	Item Description	Dimensions(mm) (LxWxH)	Gross Weight (kg)	Dimensions(mm) (LxWxH)	Gross Weight (kg)	Packing Qty (pcs/unit)
542004003410	LEDSPanelRc-SL Sq295-20W-3000-WH-GP	330*52*345	1.44	545*340*360	15.3	20
542004003510	LEDSPanelRc-SL Sq295-20W-4000-WH-GP	330*52*345	1.44	545*340*360	15.3	20
542004003610	LEDSPanelRc-SL Sq295-20W-6500-WH-GP	330*52*345	1.44	545*340*360	15.3	20
140067569	LEDSPanelRc-SL Sq595-45W-3000-WH-GP	650*41*684	2.73	665*192*702	12.6	4
140067570	LEDSPanelRc-SL Sq595-45W-4000-WH-GP	650*41*684	2.73	665*192*702	12.6	4
140067571	LEDSPanelRc-SL Sq595-45W-6500-WH-GP	650*41*684	2.73	665*192*702	12.6	4
542004000310	LEDSPanelRc-SL Sq603-45W-3000-WH-GP	655*41*690	2.8	670*230*705	15.5	5
542004000210	LEDSPanelRc-SL Sq603-45W-4000-WH-GP	655*41*690	2.8	670*230*705	15.5	5
542004000110	LEDSPanelRc-SL Sq603-45W-6500-WH-GP	655*41*690	2.8	670*230*705	15.5	5
140067566	LEDSPanelRc-SL Re295-45W-3000-WH-GP	1257*47*337	2.95	1265*215*402	13.2	4
140067567	LEDSPanelRc-SL Re295-45W-4000-WH-GP	1257*47*337	2.95	1265*215*402	13.2	4
140067568	LEDSPanelRc-SL Re295-45W-6500-WH-GP	1257*47*337	2.95	1265*215*402	13.2	4

\* As for 295\*295, one single box contains two pieces.

### Dimensional Drawing





## LED Backlit Panel Ecomax

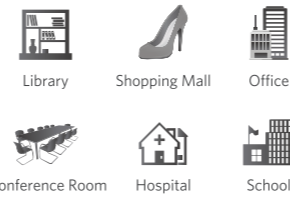
### Features

- Sturdily built
- Ease to use
- Efficacy up to 100lm/w
- Lifetime up to 30000h

### Benefits

- Strong enough for severe conditions such as long-distance shipment
- Flexible for both recessed and suspended mounting
- Up to 60% energy saving compared to traditional panel
- Long lifetime enables lower maintenance cost and failure rate

### Application



### Specification

Item Code	Item Description	Power (W)	Power Factor	Lumen (lm)	Efficacy (lm/W)	CRI	CCT (K)	Lifetime (L70B50)	MOQ (pcs)
140062000	LEDPanelRc-BL Sq595-36W-HF-4000-WH-GP	36	0.9	3600	100	≥80	4000	30000	500
140062001	LEDPanelRc-BL Sq595-36W-HF-6000-WH-GP	36	0.9	3600	100	≥80	6000	30000	500
140062002	LEDPanelRc-BL Re295-36W-HF-4000-WH-GP	36	0.9	3600	100	≥80	4000	30000	500
140062003	LEDPanelRc-BL Re295-36W-HF-6000-WH-GP	36	0.9	3600	100	≥80	6000	30000	500
140062004	LEDPanelRc-BL Sq595-48W-HF-4000-WH-GP	48	0.9	4800	100	≥80	4000	30000	500
140062005	LEDPanelRc-BL Sq595-48W-HF-6000-WH-GP	48	0.9	4800	100	≥80	6000	30000	500
140062006	LEDPanelRc-BL Re295-48W-HF-4000-WH-GP	48	0.9	4800	100	≥80	4000	30000	500
140062007	LEDPanelRc-BL Re295-48W-HF-6000-WH-GP	48	0.9	4800	100	≥80	6000	30000	500

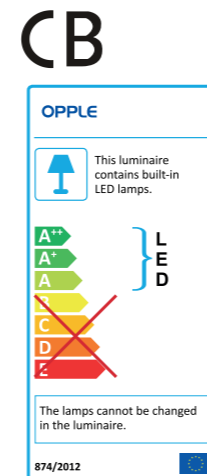
### Accessory

Item Code	Item Description	Packaging Unit		MOQ	Picture
		Carton Dimension(mm) (LxWxH)	Note		
140062840	LEDPanel-Rc-BL Clip	370*260*260	200 sets per carton (4pcs/set)	600	

\* Quantity of clips for recessed mounting: 2x2: 4 clips; 1x4: 6 clips

Technical Specifications	
On / Off Cycles	10000
Colour Consistency (SDCM)	≤6
Dimmable	No
Beam Angle (°)	115
Finishing Colour	White
IP	IP20
Driver Integrated (Yes/No)	Yes
Driver Failure Rate	1% at 5000h
Weight (kg/pc)	2.5/ 2.6

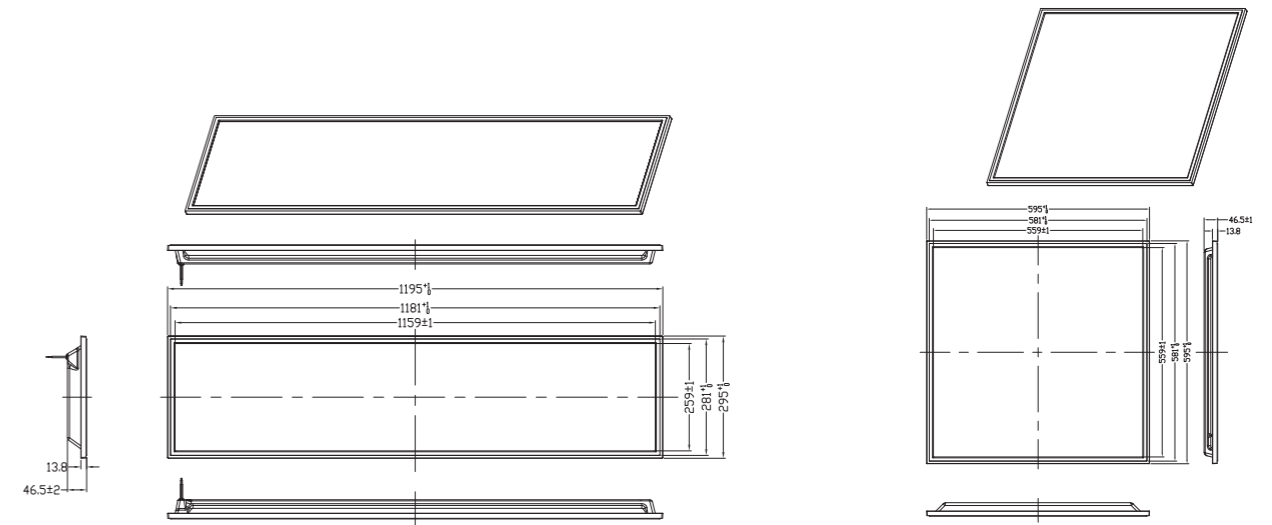
Electrical Supply	
Frequency (Hz)	50/60
Voltage (V)	220-240V
AC / DC	AC
Mechanical Finishing Properties	
Housing Material	SGCC
Optical Material	PMMA
Application Conditions	
Operating Temperature	-10 ~ +40°C
Application Temperature	25°C
Storage Environment	-20 ~ +60°C



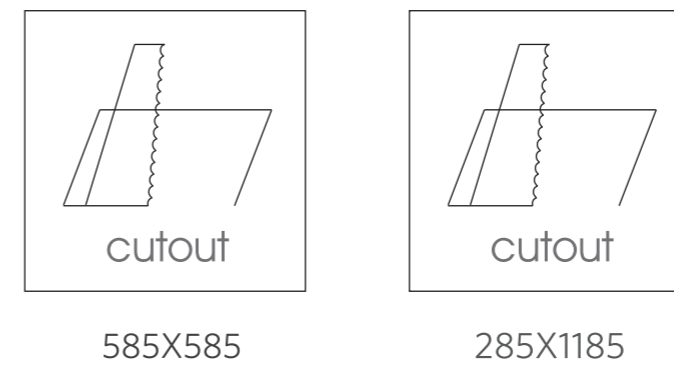
### Packaging Information

Item Code	Item Description	Single Box(1pc/box)		Packaging Unit		
		Dimensions(mm) (LxWxH)	Gross Weight (kg)	Dimensions(mm) (LxWxH)	Gross Weight (kg)	Packing Qty (pcs/unit)
140062000	LEDPanelRc-BL Sq595-36W-HF-4000-WH-GP	603*62*603	2.90	630*268*630	13.5	4
140062001	LEDPanelRc-BL Sq595-36W-HF-6000-WH-GP	603*62*603	2.90	630*268*630	13.5	4
140062002	LEDPanelRc-BL Re295-36W-HF-4000-WH-GP	1203*62*33	2.94	1230*268*330	13.7	4
140062003	LEDPanelRc-BL Re295-36W-HF-6000-WH-GP	1203*62*33	2.94	1230*268*330	13.7	4
140062004	LEDPanelRc-BL Sq595-48W-HF-4000-WH-GP	603*62*603	2.90	630*268*630	13.5	4
140062005	LEDPanelRc-BL Sq595-48W-HF-6000-WH-GP	603*62*603	2.90	630*268*630	13.5	4
140062006	LEDPanelRc-BL Re295-48W-HF-4000-WH-GP	1203*62*33	2.94	1230*268*330	13.7	4
140062007	LEDPanelRc-BL Re295-48W-HF-6000-WH-GP	1203*62*33	2.94	1230*268*330	13.7	4

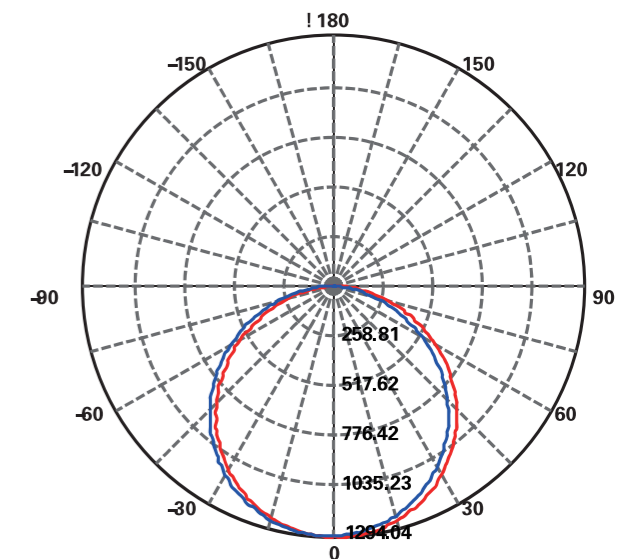
### Dimensional Drawing



### Cut-out Drawing



### Photometric Data



# OPPLE LED LINEAR INDOOR





## LED Hi-Flux Linear Light

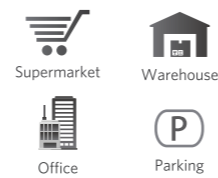
### Features

- High lumen output efficiency up to 90lm/W
- Plug & play installation
- Energy saving
- Long lifespan, install and forget

### Benefits

- Easily retrofit conventional T8 batten with LED
- Easy to use
- Up to 50% energy savings compared to conventional T8 batten
- Lasts 3 times longer than conventional T8 batten

### Application



### Specification

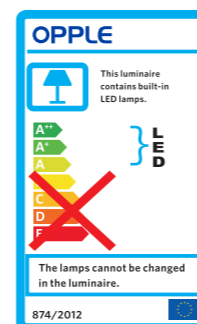
Item Code	Item Description	Power (w)	Power Factor	Lumen (lm)	Efficacy (lm/W)	Input Current (mA)	Beam Angle (°)	CRI	CCT (K)	Lifetime (L70B50)	MOQ (pcs)
140058674	LED-E-HF Batten-SF-600mm-19W-3000K-CT	19	0.90	1550	82	90	120	80	3000	25Khrs	600
140058675	LED-E-HF Batten-SF-600mm-19W-4000K-CT	19	0.90	1700	89	90	120	80	4000	25Khrs	600
140058676	LED-E-HF Batten-SF-600mm-19W-6500K-CT	19	0.90	1700	89	90	120	80	6500	25Khrs	600
140058677	LED-E-HF Batten-SF-1200mm-38W-3000K-CT	38	0.90	3150	83	170	120	80	3000	25Khrs	600
140058678	LED-E-HF Batten-SF-1200mm-38W-4000K-CT	38	0.90	3400	89	170	120	80	4000	25Khrs	600
140058679	LED-E-HF Batten-SF-1200mm-38W-6500K-CT	38	0.90	3400	89	170	120	80	6500	25Khrs	600
140059678	LED-E-HF Batten-SP-600mm-19W-3000K-CT	19	0.90	1550	82	90	120	80	3000	25Khrs	600
140059679	LED-E-HF Batten-SP-600mm-19W-4000K-CT	19	0.90	1700	89	90	120	80	4000	25Khrs	600
140059680	LED-E-HF Batten-SP-600mm-19W-6500K-CT	19	0.90	1700	89	90	120	80	6500	25Khrs	600
140059681	LED-E-HF Batten-SP-1200mm-38W-3000K-CT	38	0.90	3150	83	170	120	80	3000	25Khrs	600
140059682	LED-E-HF Batten-SP-1200mm-38W-4000K-CT	38	0.90	3400	89	170	120	80	4000	25Khrs	600
140059683	LED-E-HF Batten-SP-1200mm-38W-6500K-CT	38	0.90	3400	89	170	120	80	6500	25Khrs	600

Application Conditions	
IP	20
Operating Temperature	-20 C ~ +45 C
Application Temperature	25 C
Storage Temperature	-30 C ~ +50 C

Mechanical Finishing Properties	
Optical Material	PC
Housing Material	AL
Finishing Color	White+Silver grey

Electrical Supply	
Frequency (Hz)	50/60Hz
Voltage (V)	220-240V
AC / DC	AC

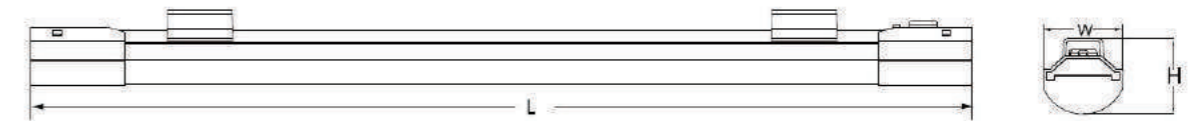
CE CB



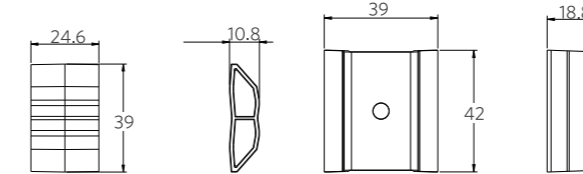
### Packaging Information

Item Code	Item Description	Single Box(1pc/box)		Packaging Unit		
		Dimensions(mm) (LxWxH)	Gross Weight (kg)	Dimensions(mm) (LxWxH)	Gross Weight (kg)	Packing Qty (pcs/unit)
140058674	LED-E-HF Batten-SF-600mm-19W-3000K-CT	668x80x80	0.485	678x426x352	9.70	20
140058675	LED-E-HF Batten-SF-600mm-19W-4000K-CT	668x80x80	0.485	678x426x352	9.70	20
140058676	LED-E-HF Batten-SF-600mm-19W-6500K-CT	668x80x80	0.485	678x426x352	9.70	20
140058677	LED-E-HF Batten-SF-1200mm-38W-3000K-CT	1268x80x80	0.802	1278x426x352	16.04	20
140058678	LED-E-HF Batten-SF-1200mm-38W-4000K-CT	1268x80x80	0.802	1278x426x352	16.04	20
140058679	LED-E-HF Batten-SF-1200mm-38W-6500K-CT	1268x80x80	0.802	1278x426x352	16.04	20
140059678	LED-E-HF Batten-SP-600mm-19W-3000K-CT	668x80x80	0.485	678x426x352	9.70	20
140059679	LED-E-HF Batten-SP-600mm-19W-4000K-CT	668x80x80	0.485	678x426x352	9.70	20
140059680	LED-E-HF Batten-SP-600mm-19W-6500K-CT	668x80x80	0.485	678x426x352	9.70	20
140059681	LED-E-HF Batten-SP-1200mm-38W-3000K-CT	1268x80x80	0.802	1278x426x352	16.04	20
140059682	LED-E-HF Batten-SP-1200mm-38W-4000K-CT	1268x80x80	0.802	1278x426x352	16.04	20
140059683	LED-E-HF Batten-SP-1200mm-38W-6500K-CT	1268x80x80	0.802	1278x426x352	16.04	20
140058680	LED-E-HF Batten-Middle Connector	70x60x90 (18pcs)	0.090	226x196x204	1.80	360
140058681	LED-E-HF Batten-Suspended Rope	/	/	200x180x160	2.24	40

### Dimensional Drawing

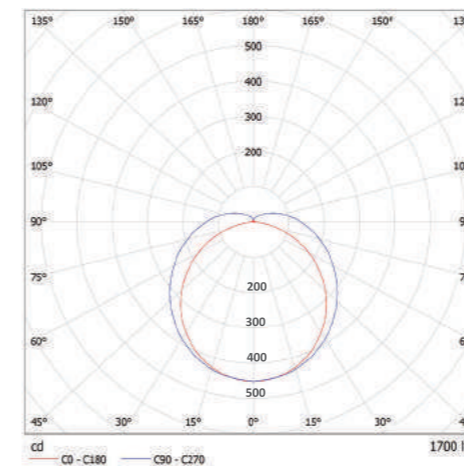


### Accessory

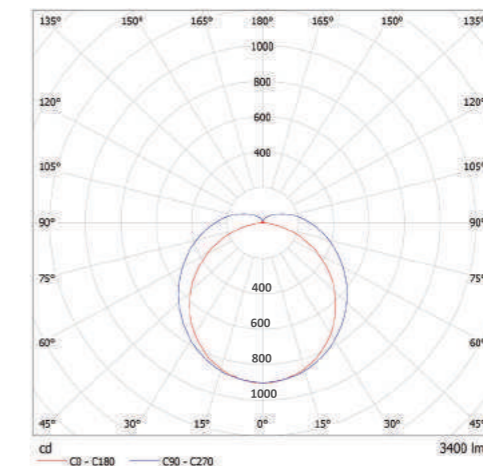


	19W	38W
L (mm)	600	1200
W (mm)	50	50
H (mm)	47	47

### Photometric Data



19W



38W



## LED Indoor Wall Washer Superior

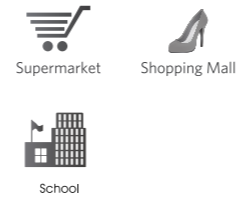
### Features

- Patented partial lighting 20°+80° beam angle lens design
- Optimized reflector design
- Slim design, 50mm thick
- No-gap connection

### Benefits

- Focuses light for precise wall washing up to 5 meters
- Clean, bright and even washing
- Easy recessed installation
- Continuous light with no dark spaces

### Application



### Specification

Item Code	Item Description	Installation	Power (W)	Power Factor	Lumen (lm)	Efficacy (lm/W)	Input Current (mA)	CRI	CCT (K)	Lifetime (L70B50)	MOQ (pcs)
140048508	LEDIWWRc-S L1200-38W-3000-GP	Recessed	38W	0.95	2900	76	190	≥80	3000	30Khrs	100
140048509	LEDIWWRc-S L1200-38W-4000-GP	Recessed	38W	0.95	3190	84	190	≥80	4000	30Khrs	100
140048510	LEDIWWRc-S L1200-38W-5700-GP	Recessed	38W	0.95	3300	87	190	≥80	5700	30Khrs	100
140048511	LEDIWWsf-S L1200-38W-3000-GP	Surface Mounted	38W	0.95	2900	76	190	≥80	3000	30Khrs	100
140048512	LEDIWWsf-S L1200-38W-4000-GP	Surface Mounted	38W	0.95	3190	84	190	≥80	4000	30Khrs	100
140048513	LEDIWWsf-S L1200-38W-5700-GP	Surface Mounted	38W	0.95	3300	87	190	≥80	5700	30Khrs	100

### Accessory information for pole-mounted

Accessories	Weight(pc/kg)	MOQ (pcs)
LED IWWSf-Pole-EN	0.60	100



Recessed      Surface Mounted      Pole Mounted



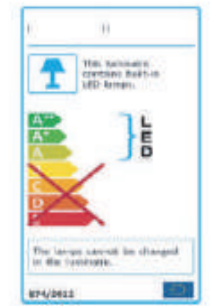
Technical Specifications	
On / Off Cycles	50,000
Colour Consistency (SDCM)	6
Dimmable	No
Beam Angle (°)	20+80
Finishing Colour	White
IP	20
Driver Integrated (Yes/No)	Yes
Glow Wire Test	650°C
Driver Failure Rate	1% at 5000h
Weight (kg/pc)	3.29

Electrical Supply	
Frequency (Hz)	50/60
Voltage (V)	220-240
AC/DC	AC

Mechanical Properties	
Housing Material	Aluminum
Optical Material	PMMA

Application Conditions	
Operating Temperature	-30-45°C
Application Temperature	25°C
Storage Environment	-35-50°C

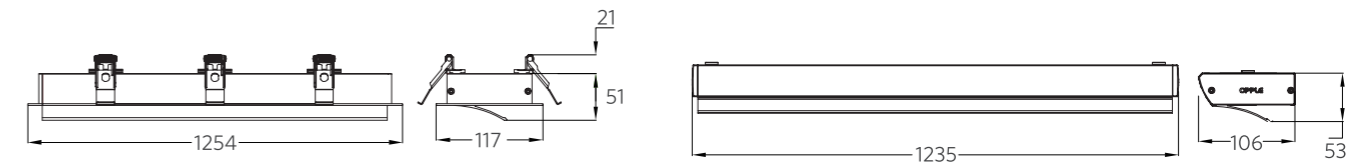
CE CB



### Packaging Information

Item Code	Item Description	Single Box(1pc/box)		Outer box(4pc/box)	
		Dimensions(mm) (LxWxH)	Gross Weight (kg)	Dimensions(mm) (LxWxH)	Gross Weight (kg)
140048508	LEDIWWRc-S L1200-38W-3000-GP	1340x190x130	4.40	1358x400x275	17.60
140048509	LEDIWWRc-S L1200-38W-4000-GP	1340x190x130	4.40	1358x400x275	17.60
140048510	LEDIWWRc-S L1200-38W-5700-GP	1340x190x130	4.40	1358x400x275	17.60
140048511	LEDIWWsf-S L1200-38W-3000-GP	1300x190x130	4.40	1318x400x275	17.60
140048512	LEDIWWsf-S L1200-38W-4000-GP	1300x190x130	4.40	1318x400x275	17.60
140048513	LEDIWWsf-S L1200-38W-5700-GP	1300x190x130	4.40	1318x400x275	17.60

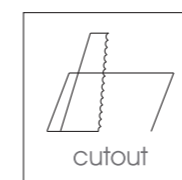
### Dimensional Drawing



38W(Recesses type)

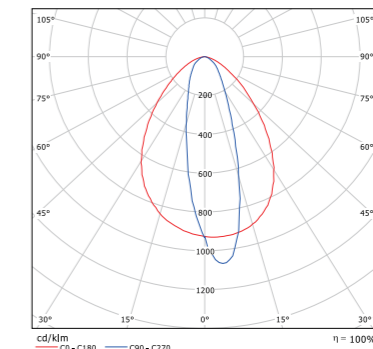
38W(Surface mounted type)

### Cut-out Drawing



1240X103  
38W(Recessed)

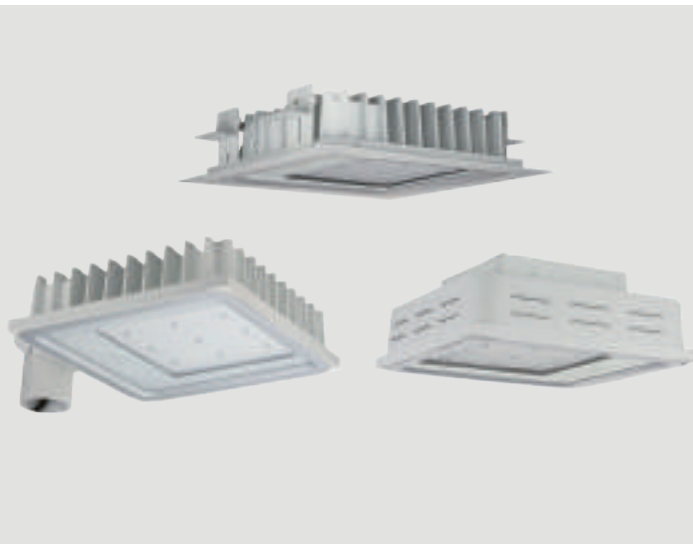
### Photometric Data



20°+80°(38W)

# OPPLE LED INDUSTRIAL LIGHTING





LED Canopy Performer

Technical Specifications	
CRI	≥80
On/Off Cycles	50000
Colour Consistency (SDCM)	<6
Dimmable	Yes(1-10V)
Beam Angle(°)	60/100/Asymmetric
Housing Colour	White
IP	IP65
IK	IK08
Driver integrated (Yes/No)	Yes
Glow wire test	650°C
Driver failure rate	1% at 5000h
Weight (kg/pc)	7.17/7.71/6.50

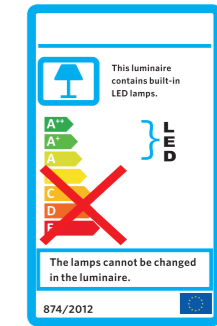
Electrical Supply	
Frequency (Hz)	50 / 60
Voltage (V)	220-240
AC / DC	AC

Mechanical Properties	
Housing Material	Die-casting Aluminum
Optical Material	PC

Application Conditions	
Operating Temperature	-35-50°C
Storage Environment	-35-65°C



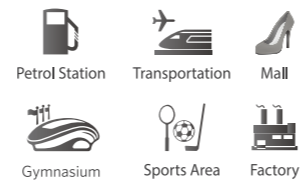
### Features

- Up to 115lm/W, 1-10V dimmable
- Multiple beam angle options: 60°, 100°, Asymmetric
- Flexible installation options including recessed, pole and surface mounting
- Up to 60,000 hours lifespan, IP65, IK08

### Benefits

- Excellent lighting effects, low glare, optimized vertical illuminance
- Energy efficient and green, up to 60% energy saving comparing to MH luminaire
- Waterproof and dustproof, adaptable in outdoor use
- Flexible installation, accommodate various applications

### Application



### Specification

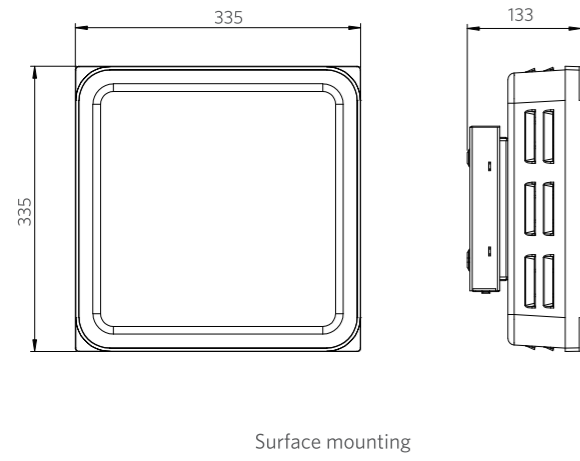
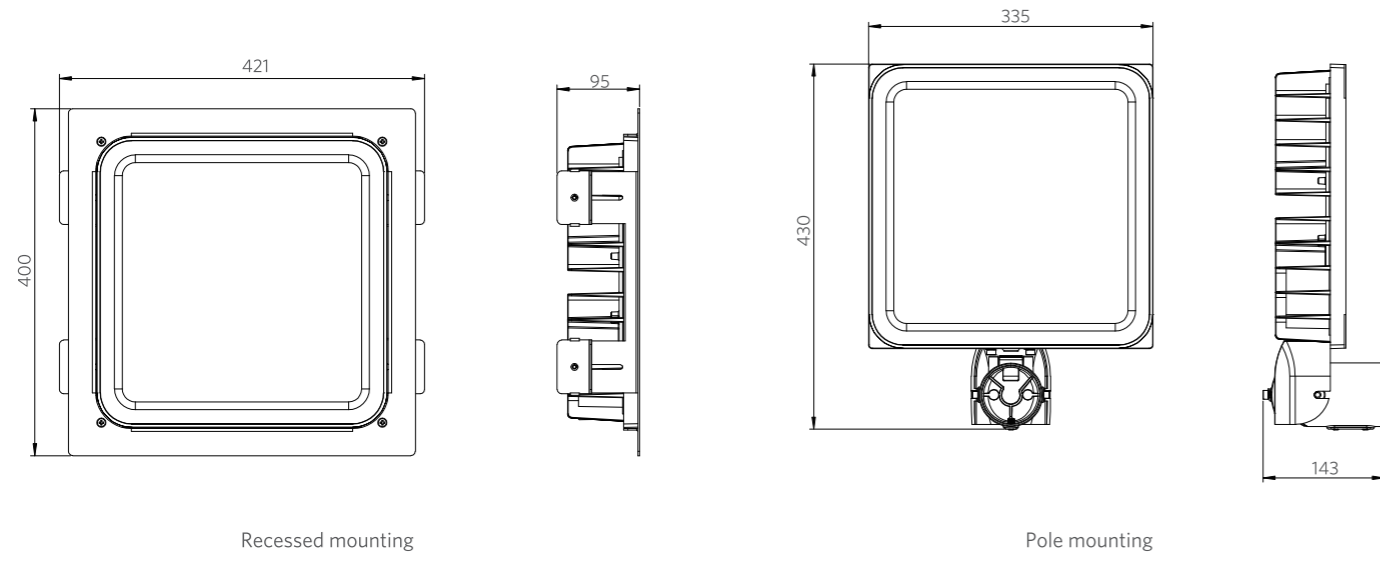
Item Code	Item Description	Power (W)	Power Factor	Lumen (lm)	Efficacy (lm/W)	Beam Type	Installation Mode	Life Time (L70B50)	MOQ (pcs)
140063994	LED Canopy-P 120W-3000-MB-R	120	0.95	12000	100	Middle beam	Recessed	60000	100
140063995	LED Canopy-P 120W-4000-MB-R	120	0.95	12600	105	Middle beam	Recessed	60000	100
140063996	LED Canopy-P 120W-5700-MB-R	120	0.95	13800	115	Middle beam	Recessed	60000	100
140063997	LED Canopy-P 120W-3000-WB-R	120	0.95	12000	100	Wide beam	Recessed	60000	100
140063998	LED Canopy-P 120W-4000-WB-R	120	0.95	12600	105	Wide beam	Recessed	60000	100
140063999	LED Canopy-P 120W-5700-WB-R	120	0.95	13800	115	Wide beam	Recessed	60000	100
140064000	LED Canopy-P 120W-3000-AS-R	120	0.95	12000	100	Asymmetric beam	Recessed	60000	100
140064001	LED Canopy-P 120W-4000-AS-R	120	0.95	12600	105	Asymmetric beam	Recessed	60000	100
140064002	LED Canopy-P 120W-5700-AS-R	120	0.95	13800	115	Asymmetric beam	Recessed	60000	100
140064003	LED Canopy-P 120W-3000-MB-C	120	0.95	12000	100	Middle beam	Surface mounted	50000	100
140064004	LED Canopy-P 120W-4000-MB-C	120	0.95	12600	105	Middle beam	Surface mounted	50000	100
140064005	LED Canopy-P 120W-5700-MB-C	120	0.95	13800	115	Middle beam	Surface mounted	50000	100
140064006	LED Canopy-P 120W-3000-WB-C	120	0.95	12000	100	Wide beam	Surface mounted	50000	100
140064007	LED Canopy-P 120W-4000-WB-C	120	0.95	12600	105	Wide beam	Surface mounted	50000	100
140064008	LED Canopy-P 120W-5700-WB-C	120	0.95	13800	115	Wide beam	Surface mounted	50000	100
140064009	LED Canopy-P 120W-3000-AS-C	120	0.95	12000	100	Asymmetric beam	Surface mounted	50000	100
140064010	LED Canopy-P 120W-4000-AS-C	120	0.95	12600	105	Asymmetric beam	Surface mounted	50000	100
140064011	LED Canopy-P 120W-5700-AS-C	120	0.95	13800	115	Asymmetric beam	Surface mounted	50000	100
140064012	LED S Light-P 120W-3000-AS-P	120	0.95	12000	100	Asymmetric beam	Pole	60000	100
140064013	LED S Light-P 120W-4000-AS-P	120	0.95	12600	105	Asymmetric beam	Pole	60000	100
140064014	LED S Light-P 120W-5700-AS-P	120	0.95	13800	115	Asymmetric beam	Pole	60000	100

### Packaging Information

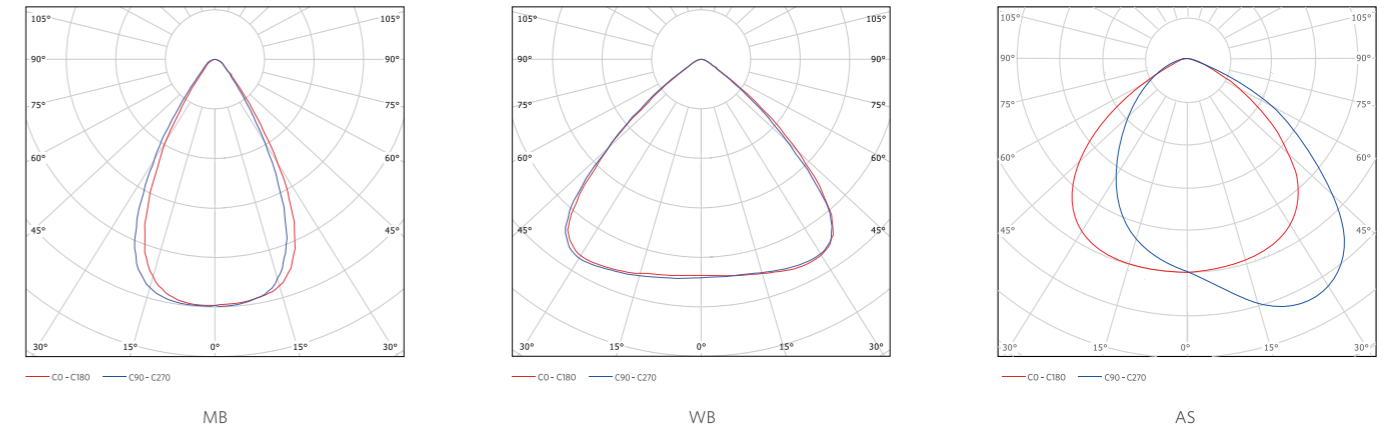
Item Code	Item Description	Packaging Unit	
		Dimensions(mm) (LxWxH)	Gross Weight (kg)
140063994	LED Canopy-P 120W-3000-MB-R	515*515*125	9.06
140063995	LED Canopy-P 120W-4000-MB-R	515*515*125	9.06
140063996	LED Canopy-P 120W-5700-MB-R	515*515*125	9.06
140063997	LED Canopy-P 120W-3000-WB-R	515*515*125	9.06
140063998	LED Canopy-P 120W-4000-WB-R	515*515*125	9.06
140063999	LED Canopy-P 120W-5700-WB-R	515*515*125	9.06
140064000	LED Canopy-P 120W-3000-AS-R	515*515*125	9.06
140064001	LED Canopy-P 120W-4000-AS-R	515*515*125	9.06
140064002	LED Canopy-P 120W-5700-AS-R	515*515*125	9.06
140064003	LED Canopy-P 120W-3000-MB-C	455*415*180	9.00
140064004	LED Canopy-P 120W-4000-MB-C	455*415*180	9.00
140064005	LED Canopy-P 120W-5700-MB-C	455*415*180	9.00
140064006	LED Canopy-P 120W-3000-WB-C	455*415*180	9.00
140064007	LED Canopy-P 120W-4000-WB-C	455*415*180	9.00
140064008	LED Canopy-P 120W-5700-WB-C	455*415*180	9.00
140064009	LED Canopy-P 120W-3000-AS-C	455*415*180	9.00
140064010	LED Canopy-P 120W-4000-AS-C	455*415*180	9.00
140064011	LED Canopy-P 120W-5700-AS-C	455*415*180	9.00
140064012	LED S Light-P 120W-3000-AS-P	585*415*150	7.80
140064013	LED S Light-P 120W-4000-AS-P	585*415*150	7.80
140064014	LED S Light-P 120W-5700-AS-P	585*415*150	7.80



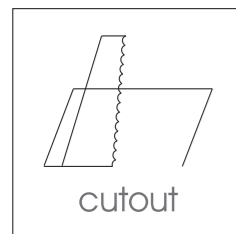
## Dimensional Drawing



## Photometric Data



## Cut-out Drawing



360X360

Recessed mounting



LED Highbay Performer III

Technical Specifications	
On/Off Cycles	50000
Colour Consistency (SDCM)	<7
Dimmable	No
Beam Angle(°)	60/100/60+100
Housing Colour	Grey
IP	IP65
IK	IK08
Driver integrated (Yes/No)	Yes
Glow wire test	650°C
Driver failure rate	1% at 5000h
Weight (kg/pc)	3.83/4.20/4.20/6.00

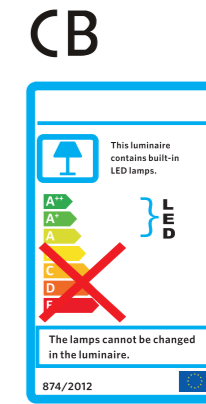
Electrical Supply	
Frequency (Hz)	50/60
Voltage (V)	220-240
AC / DC	AC

Mechanical Properties	
Housing Material	Die-cast Aluminium
Optical Material	PC

Application Conditions	
Operating Temperature	-35-45°C
Storage Environment	-35-65°C



### Features

- Up to 125lm/W
- Fin heat sink design for good thermal control
- Multiple beam angle options: 60°,100°,or 60°+100°
- Variety of installation options-hook, pole or bracket
- IP65 protection rating

### Benefits

- Easily replace conventional high bays, up to 70% energy savings
- 50,000 hours lifespan, 5 times longer than metal halide high bays'
- Accommodate various applications
- Flexible installation, easily replace existing fixtures
- Water and dust proof, adaptable in rough environment

### Application



### Specification

Item Code	Item Description	Power (W)	Power Factor	Lumen (lm)	Efficacy (lm/W)	Input Current (mA)	Lifetime (L70B50)	MOQ (pcs)
140059753	LEDHighbay-P3 40W-4000-60D-GY-GP	40	0.95	4250	105	185	50000	100
140059754	LEDHighbay-P3 40W-4000-100D-GY-GP	40	0.95	4250	105	185	50000	100
140059755	LEDHighbay-P3 40W-4000-60+100D-GY-GP	40	0.95	4250	105	185	50000	100
140059756	LEDHighbay-P3 40W-5700-60D-GY-GP	40	0.95	4500	113	185	50000	100
140059757	LEDHighbay-P3 40W-5700-100D-GY-GP	40	0.95	4500	113	185	50000	100
140059758	LEDHighbay-P3 40W-5700-60+100D-GY-GP	40	0.95	4500	113	185	50000	100
140059759	LEDHighbay-P3 80W-4000-60D-GY-GP	80	0.95	9200	115	370	50000	100
140059760	LEDHighbay-P3 80W-4000-100D-GY-GP	80	0.95	9200	115	370	50000	100
140059761	LEDHighbay-P3 80W-4000-60+100D-GY-GP	80	0.95	9200	115	370	50000	100
140059762	LEDHighbay-P3 80W-5700-60D-GY-GP	80	0.95	10000	125	370	50000	100
140059763	LEDHighbay-P3 80W-5700-100D-GY-GP	80	0.95	10000	125	370	50000	100
140059764	LEDHighbay-P3 80W-5700-60+100D-GY-GP	80	0.95	10000	125	370	50000	100
140059765	LEDHighbay-P3 120W-4000-60D-GY-GP	120	0.95	13800	115	520	50000	100
140059766	LEDHighbay-P3 120W-4000-100D-GY-GP	120	0.95	13800	115	520	50000	100
140059767	LEDHighbay-P3 120W-4000-60+100D-GY-GP	120	0.95	13800	115	520	50000	100
140059768	LEDHighbay-P3 120W-5700-60D-GY-GP	120	0.95	15000	125	520	50000	100
140059769	LEDHighbay-P3 120W-5700-100D-GY-GP	120	0.95	15000	125	520	50000	100
140059770	LEDHighbay-P3 120W-5700-60+100D-GY-GP	120	0.95	15000	125	520	50000	100
140059771	LEDHighbay-P3 160W-4000-60D-GY-GP	160	0.95	18400	115	720	50000	100
140059772	LEDHighbay-P3 160W-4000-100D-GY-GP	160	0.95	18400	115	720	50000	100
140059773	LEDHighbay-P3 160W-4000-60+100D-GY-GP	160	0.95	18400	115	720	50000	100
140059774	LEDHighbay-P3 160W-5700-60D-GY-GP	160	0.95	20000	125	720	50000	100
140059775	LEDHighbay-P3 160W-5700-100D-GY-GP	160	0.95	20000	125	720	50000	100
140059776	LEDHighbay-P3 160W-5700-60+100D-GY-GP	160	0.95	20000	125	720	50000	100

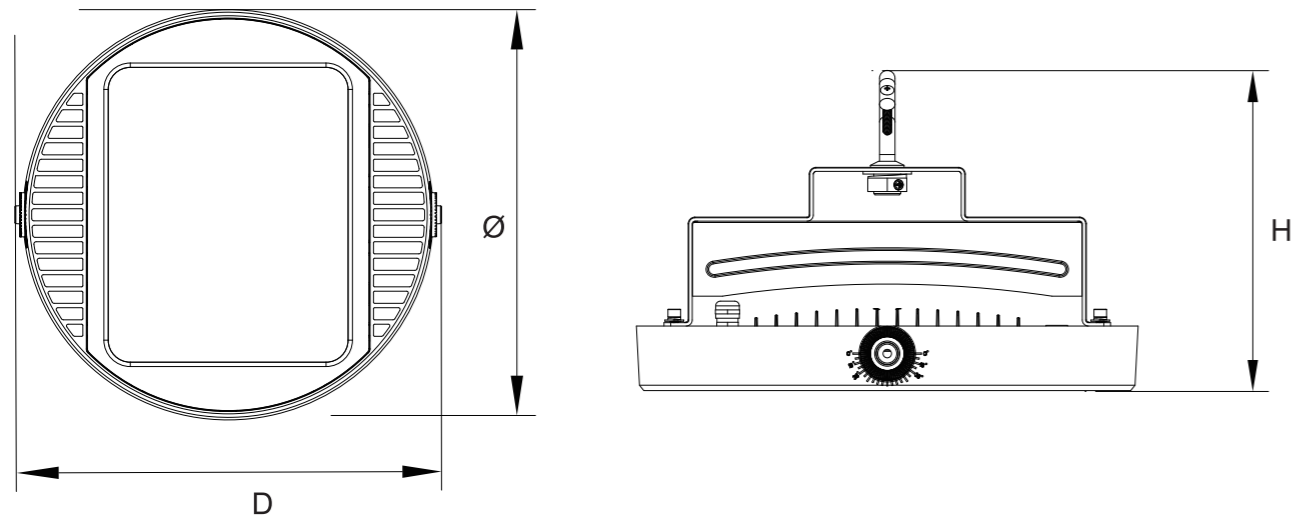
### Packaging Information

Item		Packaging Unit (1pc/unit)	
Item Code	Item Description	Dimensions(mm) (LxWxH)	Gross Weight (kg)
140059753	LEDHighbay-P3 40W-4000-60D-GY-GP	355*355*255	5.43
140059754	LEDHighbay-P3 40W-4000-100D-GY-GP	355*355*255	5.43
140059755	LEDHighbay-P3 40W-4000-60+100D-GY-GP	355*355*255	5.43
140059756	LEDHighbay-P3 40W-5700-60D-GY-GP	355*355*255	5.43
140059757	LEDHighbay-P3 40W-5700-100D-GY-GP	355*355*255	5.43
140059758	LEDHighbay-P3 40W-5700-60+100D-GY-GP	355*355*255	5.43
140059759	LEDHighbay-P3 80W-4000-60D-GY-GP	355*355*255	5.43
140059760	LEDHighbay-P3 80W-4000-100D-GY-GP	355*355*255	5.43
140059761	LEDHighbay-P3 80W-4000-60+100D-GY-GP	355*355*255	5.43
140059762	LEDHighbay-P3 80W-5700-60D-GY-GP	355*355*255	5.43
140059763	LEDHighbay-P3 80W-5700-100D-GY-GP	355*355*255	5.43
140059764	LEDHighbay-P3 80W-5700-60+100D-GY-GP	355*355*255	5.43
140059765	LEDHighbay-P3 120W-4000-60D-GY-GP	355*355*255	5.43
140059766	LEDHighbay-P3 120W-4000-100D-GY-GP	355*355*255	5.43
140059767	LEDHighbay-P3 120W-4000-60+100D-GY-GP	355*355*255	5.43
140059768	LEDHighbay-P3 120W-5700-60D-GY-GP	355*355*255	5.43
140059769	LEDHighbay-P3 120W-5700-100D-GY-GP	355*355*255	5.43
140059770	LEDHighbay-P3 120W-5700-60+100D-GY-GP	355*355*255	5.43
140059771	LEDHighbay-P3 160W-4000-60D-GY-GP	435*435*275	7.57
140059772	LEDHighbay-P3 160W-4000-100D-GY-GP	435*435*275	7.57
140059773	LEDHighbay-P3 160W-4000-60+100D-GY-GP	435*435*275	7.57
140059774	LEDHighbay-P3 160W-5700-60D-GY-GP	435*435*275	7.57
140059775	LEDHighbay-P3 160W-5700-100D-GY-GP	435*435*275	7.57
140059776	LEDHighbay-P3 160W-5700-60+100D-GY-GP	435*435*275	7.57



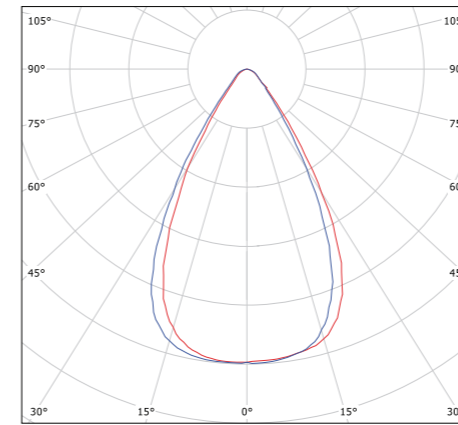
	Accessories	Weight(kg/pc)	MOQ (pcs)	Picture
140044049	Accessory for Pole-mounted Installation (40W/80W/120/160W)	0.58	100	
140060030	Accessory for Wall-mounted Installation (40W/80W/120W)	0.76	100	
140044050	Accessory for Wall-mounted Installation (160W)	0.90	100	

### Dimensional Drawing

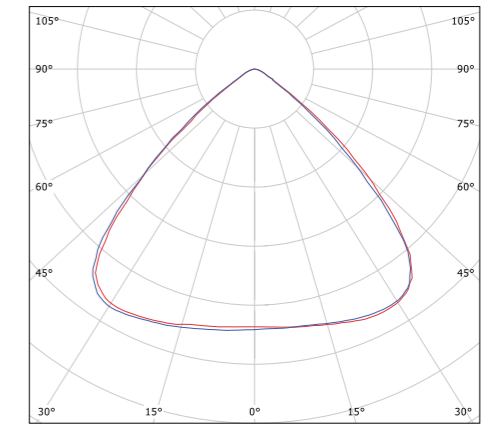


Type	φ (mm)	D(mm)	H(mm)
LED HB-P3 40W-GP	290	304	223
LED HB-P3 80W-GP	290	304	223
LED HB-P3 120W-GP	290	304	223
LED HB-P3 160W-GP	373	388	238

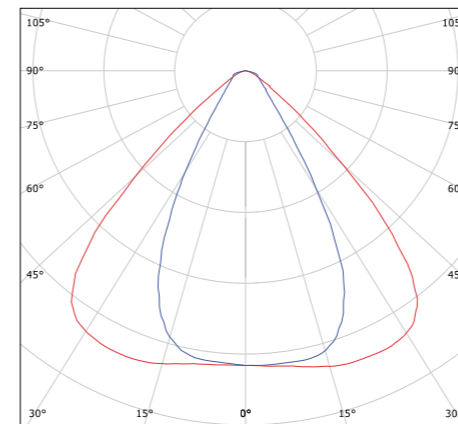
### Photometric Data



60°(40W/80W/120W/160W)



100°(40W/80W/120W/160W)



60°+100°(40W/80W/120W/160W)



## LED Lowbay Ecomax H

### Features

- Optimal heat management, 30Khrs
- Up to 105 lm/W
- Two beam angle options
- Multiple installation options: hook, pole or wall mounting

### Benefits

- Lasts 4 times longer than conventional low bay
- Easily replace conventional low bay, more than 50% energy savings
- Applicable in multiple ceiling heights and environment
- Flexible installation

### Application

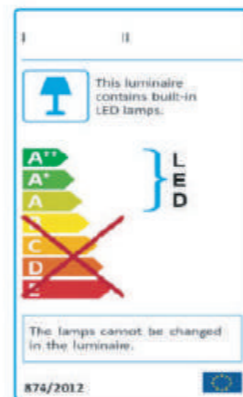


### Specification

Item Code	Item Description	Power (W)	Power Factor	Lumen (lm)	Efficacy (lm/W)	Input Current (mA)	Beam Angle (°)	Lifetime (L70B50)	MOQ (pcs)
140060802	LED Lowbay-E100W-5700-60-SL-GP	100	0.95	9000	90	465	60	30000	100
140060803	LED Lowbay-E100W-5700-90-SL-GP	100	0.95	10500	105	465	90	30000	100
140060804	LED Lowbay-E150W-5700-60-SL-GP	150	0.95	13500	90	700	60	30000	100
140060805	LED Lowbay-E150W-5700-90-SL-GP	150	0.95	15750	105	700	90	30000	100
545002000810	LED Lowbay-E200W-5700-60-SL-GP	200	0.95	18000	90	915	60	30000	100
545002000710	LED Lowbay-E200W-5700-90-SL-GP	200	0.95	20000	100	915	90	30000	100

Technical Specifications	
CRI	≥80
Colour Consistency (SDCM)	6
Dimmable	No
Housing Colour	Silver
IP	IP20
Driver integrated (Yes/No)	Yes
Glow wire test	650°C
Weight (kg/pc)	1.68 - 2.97

Electrical Supply	
Frequency (Hz)	50 / 60
Voltage (V)	220-240
AC / DC	AC
Mechanical Properties	
Driver Housing material	PC
Reflector Material	Aluminium
Application Conditions	
Operating Temperature	-20 - 45°C
Storage Environment	-25 - 50°C



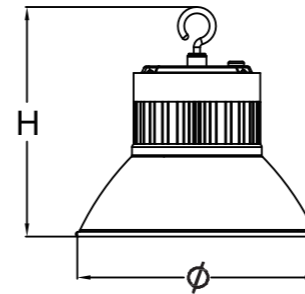
### Packaging Information

Item		Single Box(1pc/box)		Packaging Unit		
Item Code	Item Description	Dimensions(mm) (LxWxH)	Gross Weight (kg)	Dimensions(mm) (LxWxH)	Gross Weight (kg)	Packing Qty (pcs/unit)
140060802	LED Lowbay-E100W-5700-60-SL-GP	378*378*390	3.06	378*378*390	3.06	1
140060803	LED Lowbay-E100W-5700-90-SL-GP	460*460*318	3.06	460*460*318	3.06	1
140060804	LED Lowbay-E150W-5700-60-SL-GP	378*378*454	4.08	378*378*454	4.08	1
140060805	LED Lowbay-E150W-5700-90-SL-GP	460*460*372	4.81	460*460*372	4.81	1
545002000810	LED Lowbay-E200W-5700-60-SL-GP	380*380*330	4.33	380*380*330	4.33	1
545002000710	LED Lowbay-E200W-5700-90-SL-GP	465*465*330	4.78	465*465*330	4.78	1

### Accessory

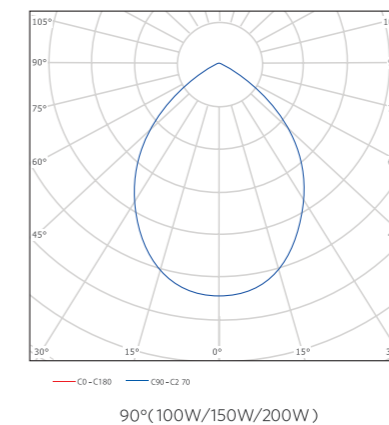
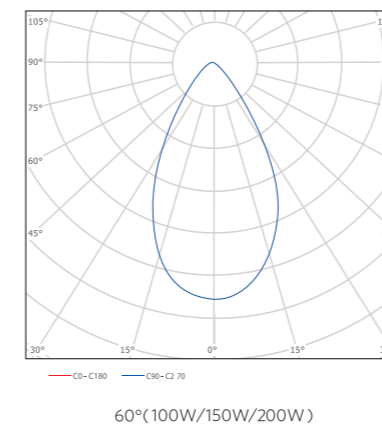
Accessories			Packaging Unit			Picture
Item Code	Item Description	MOQ (pcs)	Dimensions(mm) (LxWxH)	Gross Weight (kg)	Packing Qty (pcs)	
545002000910	Lowbay 100-200W reflector 60D	150	400*400*298	2.28	4	
545002001010	Lowbay 100-200W reflector 90D	150	480*480*215	2.52	4	
545002001110	LED Lowbay-E200W-5700 Gearbox	150	400*400*330	11.92	4	

### Dimensional Drawing



Type	H	φ
LED LB-E 100W-60-GP	415mm	330mm
LED LB-E 100W-90-GP	335mm	412mm
LED LB-E 150W-60-GP	475mm	330mm
LED LB-E 150W-90-GP	395mm	412mm
LED LB-E 200W 60D	510mm	328mm
LED LB-E 200W 90D	425mm	413mm

### Photometric Data





## LED Lowbay Ecomax

### Features

- Optimal heat management, 30Khrs
- Up to 100 lm/W
- Two beam angle options
- Multiple installation options: hook, pole or wall mounting

### Benefits

- Lasts 4 times longer than conventional low bay
- Easily replace conventional low bay, more than 50% energy savings
- Applicable in multiple ceiling heights and environment
- Flexible installation

### Application

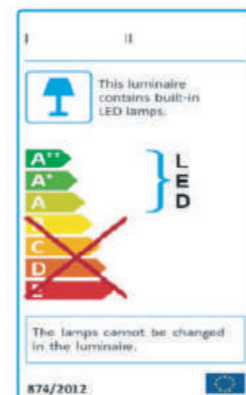


### Specification

Item Code	Item Description	Power (W)	Power Factor	Lumen (lm)	Efficacy (lm/W)	Input Current (mA)	Beam Angle (°)	Lifetime (L70B50)	MOQ (pcs)
140056750	LED Lowbay-E28W-3000-60-SL-GP	28	0.95	2520	90	125	60	30000	100
140056756	LED Lowbay-E28W-3000-120-SL-GP	28	0.95	2520	90	125	120	30000	100
140056755	LED Lowbay-E28W-5700-60-SL-GP	28	0.95	2520	90	125	60	30000	100
140056751	LED Lowbay-E28W-5700-120-SL-GP	28	0.95	2520	90	125	120	30000	100
140056753	LED Lowbay-E40W-3000-60-SL-GP	40	0.95	3600	90	185	60	30000	100
140056752	LED Lowbay-E40W-3000-120-SL-GP	40	0.95	3600	90	185	120	30000	100
140056757	LED Lowbay-E40W-5700-60-SL-GP	40	0.95	3600	90	185	60	30000	100
140056754	LED Lowbay-E40W-5700-120-SL-GP	40	0.95	3600	90	185	120	30000	100
140056758	LED Lowbay-E48W-3000-60-SL-GP	48	0.95	5000	100	226	60	30000	100
140056748	LED Lowbay-E48W-3000-120-SL-GP	48	0.95	5000	100	226	120	30000	100
140056749	LED Lowbay-E48W-5700-60-SL-GP	48	0.95	5000	100	226	60	30000	100
140056759	LED Lowbay-E48W-5700-120-SL-GP	48	0.95	5000	100	226	120	30000	100

Technical Specifications	
CRI	≥80
Colour Consistency (SDCM)	6
Dimmable	No
Housing Colour	Silver
IP	IP20
Driver integrated (Yes/No)	Yes
Glow wire test	650°C
Weight (kg/pc)	0.61 - 0.99

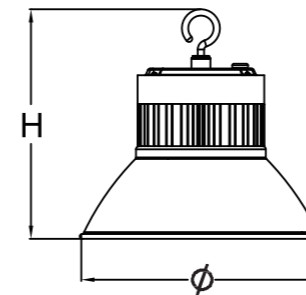
Electrical Supply	
Frequency (Hz)	50 / 60
Voltage (V)	220-240
AC / DC	AC
Mechanical Properties	
Driver Housing material	PC
Reflector Material	Aluminium
Application Conditions	
Operating Temperature	-20 - 45°C
Storage Environment	-25-50°C



### Packaging Information

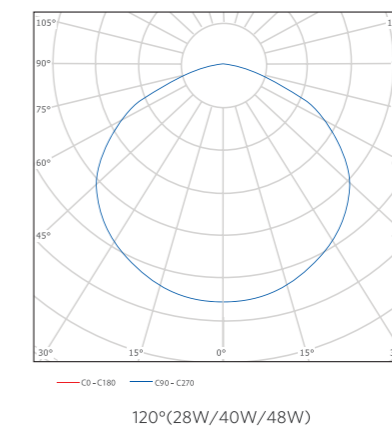
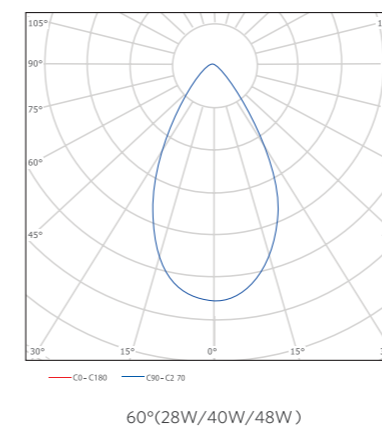
Item Code	Item Description	Single Box(1pc/box)		Packaging Unit		
		Dimensions(mm) (LxWxH)	Gross Weight (kg)	Dimensions(mm) (LxWxH)	Gross Weight (kg)	Packing Qty (pcs/unit)
140056750	LED Lowbay-E28W-3000-60-SL-GP	276*276*176	1.10	564*564*380	8.81	8
140056756	LED Lowbay-E28W-3000-120-SL-GP	406*406*156	1.68	826*414*340	6.71	4
140056755	LED Lowbay-E28W-5700-60-SL-GP	276*276*176	1.10	564*564*380	8.81	8
140056751	LED Lowbay-E28W-5700-120-SL-GP	406*406*156	1.68	826*414*340	6.71	4
140056753	LED Lowbay-E40W-3000-60-SL-GP	276*276*186	1.45	564*564*400	11.58	8
140056752	LED Lowbay-E40W-3000-120-SL-GP	406*406*166	2.02	826*414*364	8.08	4
140056757	LED Lowbay-E40W-5700-60-SL-GP	276*276*186	1.45	564*564*400	11.58	8
140056754	LED Lowbay-E40W-5700-120-SL-GP	406*406*166	2.02	826*414*364	8.08	4
140056758	LED Lowbay-E48W-3000-60-SL-GP	276*276*196	1.94	564*564*420	15.50	8
140056748	LED Lowbay-E48W-3000-120-SL-GP	406*406*186	2.51	826*414*404	10.04	4
140056749	LED Lowbay-E48W-5700-60-SL-GP	276*276*196	1.94	564*564*420	15.50	8
140056759	LED Lowbay-E48W-5700-120-SL-GP	406*406*186	2.51	826*414*404	10.04	4

### Dimensional Drawing



Type	H	φ
LED LB-E 28W-60-GP	187.5mm	230mm
LED LB-E 28W-120-GP	167.5mm	360mm
LED LB-E 40W-60-GP	197.5mm	230mm
LED LB-E 40W-120-GP	177.5mm	360mm
LED LB-E 48W-60-GP	217.5mm	230mm
LED LB-E 48W-120-GP	197.5mm	360mm

### Photometric Data





## LED Waterproof Performer 2

### Features

- Up to 130 lm/W
- IP66 protection rating
- Impact resistant polycarbonate housing (IK08)
- DALI option available
- Prepared for through wiring

### Benefits

- Up to 60% energy saving compared to fluorescent solution
- Quick installation with through wiring and easy end-cap connections
- Wide range ensure availability of right fixture for projects
- Prevents cover yellowing

### Application



### Specification

Item Code	Item Description	Power (w)	Power Factor	Lumen (lm)	Efficacy (lm/W)	Input Current (mA)	CRI	CCT (K)	Lifetime (L70B50)	MOQ (pcs)
543022003710	LED Waterproof-P2 L653-12.5W-4000-FR-GP	12.5	0.9	1375	110	66	≥80	4000	70000	504
543022003610	LED Waterproof-P2 L653-12.5W-6500-FR-GP	12.5	0.9	1375	110	66	≥80	6500	70000	504
543022003510	LED Waterproof-P2 L653-23W-4000-FR-GP	23	0.9	2530	110	113	≥80	4000	70000	504
543022003410	LED Waterproof-P2 L653-23W-6500-FR-GP	23	0.9	2530	110	113	≥80	6500	70000	504
543022003310	LED Waterproof-P2 L1263-23W-4000-FR-GP	23	0.9	2530	110	113	≥80	4000	70000	504
543022003210	LED Waterproof-P2 L1263-23W-6500-FR-GP	23	0.9	2530	110	113	≥80	6500	70000	504
543022003110	LED Waterproof-P2 L1263-40W-4000-FR-GP	40	0.9	4400	110	190	≥80	4000	70000	504
543022003010	LED Waterproof-P2 L1263-40W-6500-FR-GP	40	0.9	4400	110	190	≥80	6500	70000	504
543022002910	LED Waterproof-P2 L1563-27W-4000-FR-GP	27	0.9	2970	110	126	≥80	4000	70000	504
543022002810	LED Waterproof-P2 L1563-27W-6500-FR-GP	27	0.9	2970	110	126	≥80	6500	70000	504
543022002710	LED Waterproof-P2 L1563-51W-4000-FR-GP	51	0.9	5610	110	238	≥80	4000	70000	504
543022002610	LED Waterproof-P2 L1563-51W-6500-FR-GP	51	0.9	5610	110	238	≥80	6500	70000	504
543022002510	LED Waterproof-P2 L1563-75W-4000-FR-GP	75	0.9	9000	120	330	≥80	4000	70000	504
543022002410	LED Waterproof-P2 L1563-75W-6500-FR-GP	75	0.9	9000	120	330	≥80	6500	70000	504
543022002310	LED Waterproof-P2 L1563-90W-4000-FR-GP	90	0.9	11700	130	400	≥80	4000	70000	504
543022002210	LED Waterproof-P2 L1563-90W-6500-FR-GP	90	0.9	11700	130	400	≥80	6500	70000	504
543022002110	LED Waterproof-P2 L653-13W-DALI-4000-FR-GP	13	0.9	1430	110	63	≥80	4000	70000	504
543022004010	LED Waterproof-P2 L653-13W-DALI-6500-FR-GP	13	0.9	1430	110	63	≥80	6500	70000	504
543022003910	LED Waterproof-P2 L653-24W-DALI-4000-FR-GP	24	0.9	2640	110	120	≥80	4000	70000	504
543022003810	LED Waterproof-P2 L653-24W-DALI-6500-FR-GP	24	0.9	2640	110	120	≥80	6500	70000	504
543022002010	LED Waterproof-P2 L1263-24W-DALI-4000-FR-GP	24	0.9	2640	110	114	≥80	4000	70000	504
543022001910	LED Waterproof-P2 L1263-24W-DALI-6500-FR-GP	24	0.9	2640	110	114	≥80	6500	70000	504
543022001810	LED Waterproof-P2 L1263-45W-DALI-4000-FR-GP	45	0.9	4950	110	196	≥80	4000	70000	504
543022001710	LED Waterproof-P2 L1263-45W-DALI-6500-FR-GP	45	0.9	4950	110	196	≥80	6500	70000	504
543022001610	LED Waterproof-P2 L1563-28W-DALI-4000-FR-GP	28	0.9	3080	110	131	≥80	4000	70000	504
543022001510	LED Waterproof-P2 L1563-28W-DALI-6500-FR-GP	28	0.9	3080	110	131	≥80	6500	70000	504
543022001410	LED Waterproof-P2 L1563-55W-DALI-4000-FR-GP	55	0.9	6050	110	238	≥80	4000	70000	504
543022001310	LED Waterproof-P2 L1563-55W-DALI-6500-FR-GP	55	0.9	6050	110	238	≥80	6500	70000	504

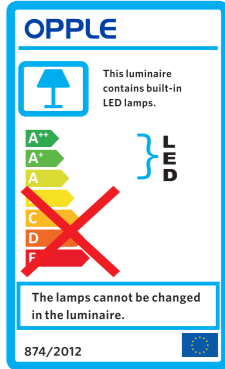
Technical Specifications	
CRI	≥80
Colour Consistency (SDCM)	≤4
Dimmable	No/Yes(DALI)
Housing Colour	Grey
IP	IP66
IK	IK08
Driver integrated (Yes/No)	Yes
Glow wire test	650°C
Driver failure rate	1% at 5000h
Weight (kg/pc)	0.85-2.10

Electrical Supply	
Frequency (Hz)	50 / 60
Voltage (V)	220-240
AC / DC	AC

Mechanical Finishing Properties	
Housing Material	PC
Optical Material	Plastic and aluminium

Application Conditions	
Operating Temperature	-25-45°C
Ta	45°C
Storage Environment	-25-65°C

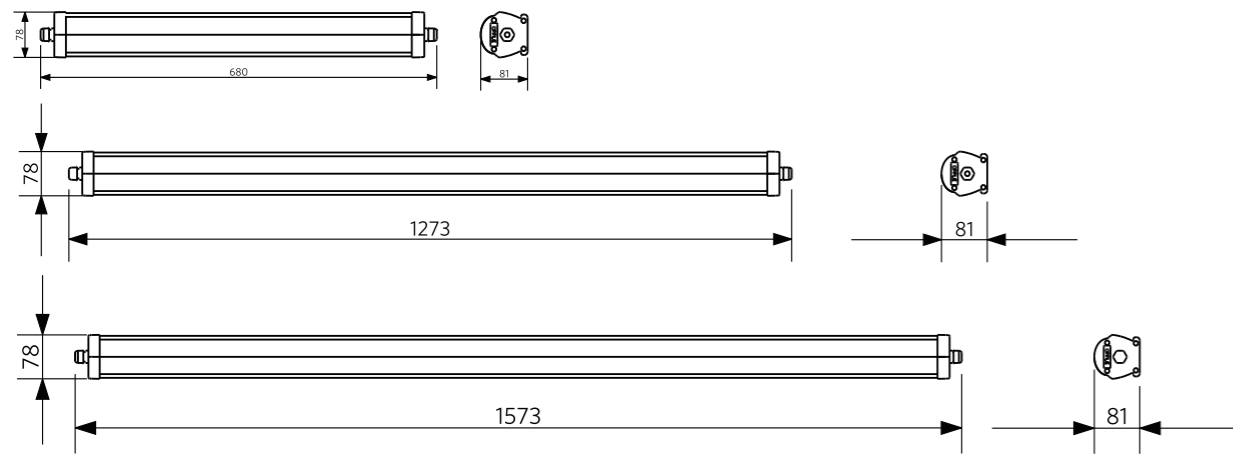
CB



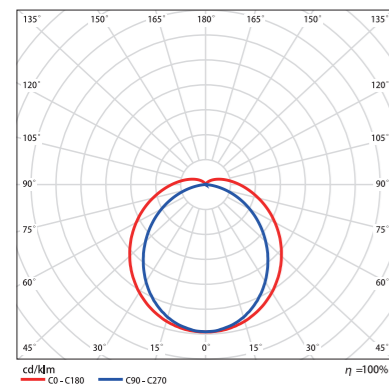
### Packaging Information

Item Code	Item Description	Single Box (1pc/box)		Packaging Unit		
		Dimensions(mm) (LxWxH)	Gross Weight (kg)	Dimensions(mm) (LxWxH)	Gross Weight (kg)	Packing Qty (pcs/unit)
543022003710	LED Waterproof-P2 L653-12.5W-4000-FR-GP	732*83*85	1.15	797*264*190	6.90	6
543022003610	LED Waterproof-P2 L653-12.5W-6500-FR-GP	732*83*85	1.15	797*264*190	6.90	6
543022003510	LED Waterproof-P2 L653-23W-4000-FR-GP	732*83*85	1.15	797*264*190	6.90	6
543022003410	LED Waterproof-P2 L653-23W-6500-FR-GP	732*83*85	1.15	797*264*190	6.90	6
543022003310	LED Waterproof-P2 L1263-23W-4000-FR-GP	1337*83*85	1.85	1402*264*190	11.10	6
543022003210	LED Waterproof-P2 L1263-23W-6500-FR-GP	1337*83*85	1.85	1402*264*190	11.10	6
543022003110	LED Waterproof-P2 L1263-40W-4000-FR-GP	1337*83*85	1.85	1402*264*190	11.10	6
543022003010	LED Waterproof-P2 L1263-40W-6500-FR-GP	1337*83*85	1.85	1402*264*190	11.10	6
543022002910	LED Waterproof-P2 L1563-27W-4000-FR-GP	1637*83*85	2.10	1702*264*190	12.60	6
543022002810	LED Waterproof-P2 L1563-27W-6500-FR-GP	1637*83*85	2.10	1702*264*190	12.60	6
543022002710	LED Waterproof-P2 L1563-51W-4000-FR-GP	1637*83*85	2.33	1702*264*190	13.98	6
543022002610	LED Waterproof-P2 L1563-51W-6500-FR-GP	1637*83*85	2.33	1702*264*190	13.98	6
543022002510	LED Waterproof-P2 L1563-75W-4000-FR-GP	1637*83*85	2.40	1702*264*190	14.40	6
543022002410	LED Waterproof-P2 L1563-75W-6500-FR-GP	1637*83*85	2.40	1702*264*190	14.40	6
543022002310	LED Waterproof-P2 L1563-90W-4000-FR-GP	1637*83*85	2.40	1702*264*190	14.40	6
543022002210	LED Waterproof-P2 L1563-90W-6500-FR-GP	1637*83*85	2.40	1702*264*190	14.40	6
543022002110	LED Waterproof-P2 L653-13W-DALI-4000-FR-GP	732*83*85	1.15	797*264*190	6.90	6
543022004010	LED Waterproof-P2 L653-13W-DALI-6500-FR-GP	732*83*85	1.15	797*264*190	6.90	6
543022003910	LED Waterproof-P2 L653-24W-DALI-4000-FR-GP	732*83*85	1.15	797*264*190	6.90	6
543022003810	LED Waterproof-P2 L653-24W-DALI-6500-FR-GP	732*83*85	1.15	797*264*190	6.90	6
543022002010	LED Waterproof-P2 L1263-24W-DALI-4000-FR-GP	1337*83*85	1.85	1402*264*190	11.10	6
543022001910	LED Waterproof-P2 L1263-24W-DALI-6500-FR-GP	1337*83*85	1.85	1402*264*190	11.10	6
543022001810	LED Waterproof-P2 L1263-45W-DALI-4000-FR-GP	1337*83*85	1.85	1402*264*190	11.10	6
543022001710	LED Waterproof-P2 L1263-45W-DALI-6500-FR-GP	1337*83*85	1.85	1402*264*190	11.10	6
543022001610	LED Waterproof-P2 L1563-28W-DALI-4000-FR-GP	1637*83*85	2.10	1702*264*190	12.60	6
543022001510	LED Waterproof-P2 L1563-28W-DALI-6500-FR-GP	1637*83*85	2.10	1702*264*190	12.60	6
543022001410	LED Waterproof-P2 L1563-55W-DALI-4000-FR-GP	1637*83*85	2.10	1702*264*190	12.60	6
543022001310	LED Waterproof-P2 L1563-55W-DALI-6500-FR-GP	1637*83*85	2.10	1702*264*190	12.60	6

## Dimensional Drawing



## Photometric Data



## LED Waterproof EQ Series

### Features

- Up to 120lm/W
- Wide applicable voltage
- 2.5KV surge resistance
- IP66 protection rating
- Optimal structure for clean room application

### Benefits

- Low energy consumption, up to 55% energy saving comparing to fluorescent solution
- 30,000 hours lifespan, high reliability, low maintenance
- Soft light, low glare

### Application



### Specification

Item Code	Item Description	Power (w)	Power Factor	Lumen (lm)	Efficacy (lm/W)	Input Current (mA)	Lifetime (L70B50)	MOQ (pcs)
140065467	LED Waterproof-EQ L600-9W-4000-FR-GP	9	0.90	1035	115	43	30000	400
140065468	LED Waterproof-EQ L600-9W-5700-FR-GP	9	0.90	1100	120	43	30000	400
140065469	LED Waterproof-EQ L1200-18W-4000-FR-GP	18	0.95	2070	115	82	30000	400
140065470	LED Waterproof-EQ L1200-18W-5700-FR-GP	18	0.95	2200	120	82	30000	400
140065471	LED Waterproof-EQ L1200-36W-4000-FR-GP	36	0.95	4140	115	165	30000	400
140065472	LED Waterproof-EQ L1200-36W-5700-FR-GP	36	0.95	4400	120	165	30000	400

#### Technical Specifications

CRI	≥ 80
Colour Consistency (SDCM)	≤ 6
Dimmable	No
Housing Colour	Grey
IP	IP66
Driver integrated (Yes/No)	Yes
Glow wire test	650°C
Driver failure rate	1% at 5000h
Weight (kg/pc)	0.46/ 0.85/0.85

#### Electrical Supply

Frequency (Hz)	50 / 60
Voltage (V)	220-240
AC / DC	AC

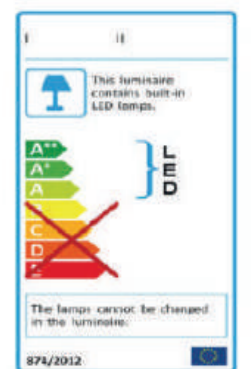
#### Mechanical Finishing Properties

Optical Material	PC
Housing Material	PC

#### Application Conditions

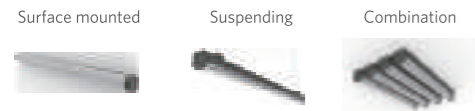
Operating Temperature	-30-45°C
Storage Environment	-35-65°C

CB



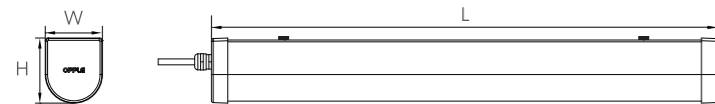
## Packaging Information

Item		Single Box(1pc/box)		Packaging Unit		
Item Code	Item Description	Dimensions(mm) (LxWxH)	Gross Weight (kg)	Dimensions(mm) (LxWxH)	Gross Weight (kg)	Packing Qty (pcs/unit)
140065467	LED Waterproof-EQ L600-9W-4000-FR-GP	676*68*78	0.53	688*334*300	8.42	16
140065468	LED Waterproof-EQ L600-9W-5700-FR-GP	676*68*78	0.53	688*334*300	8.42	16
140065469	LED Waterproof-EQ L1200-18W-4000-FR-GP	1235*68*78	1.02	1250*330*295	16.38	16
140065470	LED Waterproof-EQ L1200-18W-5700-FR-GP	1235*68*78	1.02	1250*330*295	16.38	16
140065471	LED Waterproof-EQ L1200-36W-4000-FR-GP	1235*68*78	1.02	1250*330*295	16.38	16
140065472	LED Waterproof-EQ L1200-36W-5700-FR-GP	1235*68*78	1.02	1250*330*295	16.38	16



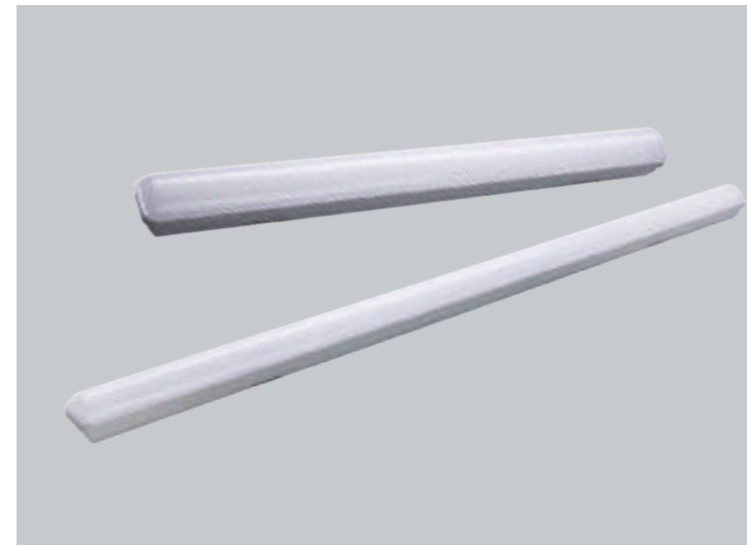
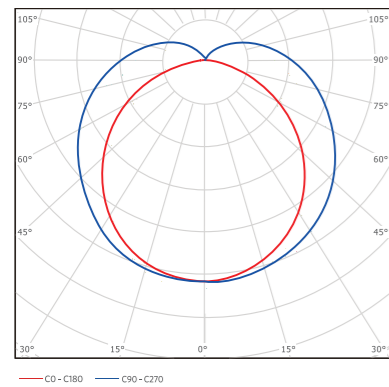
Accessories	Weight(kg/pc)	MOQ (pcs)	Picture
140059823 Accessory for Combination Installation	0.14	192	
140059822 Accessory for Suspending Installation	0.05	192	

## Dimensional Drawing



	L(mm)	W(mm)	H(mm)
LED WP-EQ 600-9W	594	63	72
LED WP-EQ 1200-18W	1194	63	72
LED WP-EQ 1200-36W	1194	63	72

## Photometric Data



## LED Waterproof Utility Plus

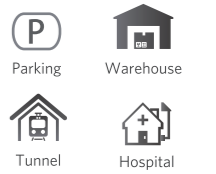
### Features

- Optimal heat management, 30Khrs
- IP65 protection rating
- IK08 Anti-shock enclosure
- Anti-UV polycarbonate cover

### Benefits

- Lasts 4 times longer than fluorescent
- Water and dust proof, suitable for outdoor use
- Impact resistant
- Prevent cover yellowing, ensures long product lifespan

### Application



### Specification

Item Code	Item Description	Power (W)	Power Factor	Lumen (lm)	Efficacy (lm/W)	Input Current (mA)	Lifetime (L70B50)	MOQ (pcs)
140065110	LEDWaterproof-U L 600-10W-4000-FR-GP-2	10	0.9	900	90	48	30000	500
140065111	LEDWaterproof-U L 600-10W-6000-FR-GP-2	10	0.9	900	90	48	30000	500
140065112	LEDWaterproof-U L 1200-20W-4000-FR-GP-2	20	0.9	1800	90	97	30000	500
140065113	LEDWaterproof-U L 1200-20W-6000-FR-GP-2	20	0.9	1800	90	97	30000	500
140065114	LEDWaterproof-U L 1500-24W-6000-FR-GP-2	24	0.9	2160	90	116	30000	504
140065115	LEDWaterproof-U L 1500-24W-4000-FR-GP-2	24	0.9	2160	90	116	30000	504
140065116	LEDWaterproof-U L 600-20W-4000-FR-GP-2	20	0.9	1800	90	97	30000	504
140065117	LEDWaterproof-U L 600-20W-6000-FR-GP-2	20	0.9	1800	90	97	30000	504
140065118	LEDWaterproof-U L 1200-40W-4000-FR-GP-2	40	0.9	3600	90	193	30000	504
140065119	LEDWaterproof-U L 1200-40W-6000-FR-GP-2	40	0.9	3600	90	193	30000	504
140065120	LEDWaterproof-U L 1500-48W-4000-FR-GP-2	48	0.9	4320	90	232	30000	504
140065121	LEDWaterproof-U L 1500-48W-6000-FR-GP-2	48	0.9	4320	90	232	30000	504

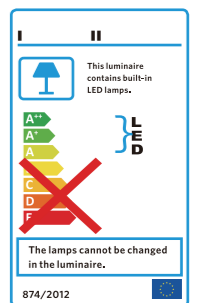
Technical Specifications	
CRI	≥80
Colour Consistency (SDCM)	6
Dimmable	No
Housing Colour	Grey
IP	IP65
IK	IK08
Driver integrated (Yes/No)	Yes
Glow wire test	650°C
Driver failure rate	1% at 5000h
Weight (kg/pc)	0.60/0.97/1.15/0.69/1.19/1.47

Electrical Supply	
Frequency (Hz)	50/60
Voltage (V)	220-240
AC/DC	AC

Mechanical Properties	
Housing Material	PC
Optical Material	PC

Application Conditions	
Operating Temperature	-25-45°C
Storage Environment	-25-65°C

CB

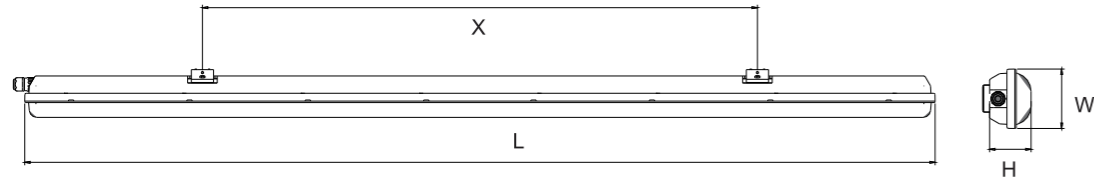




## Packaging Information

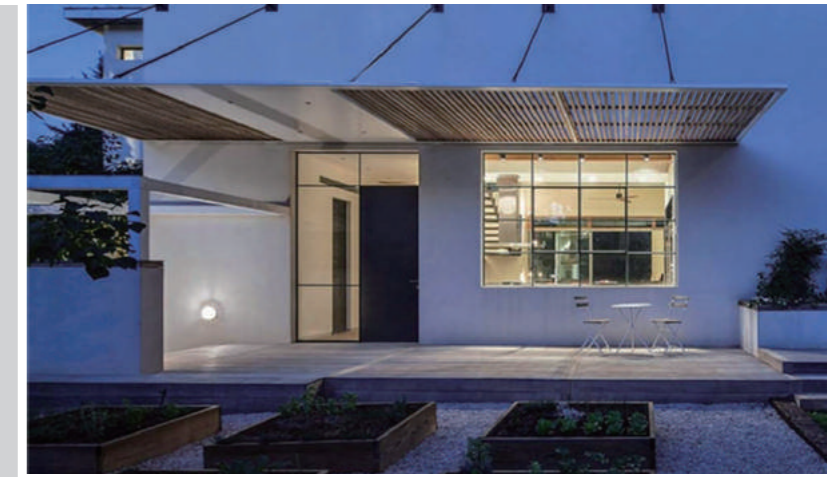
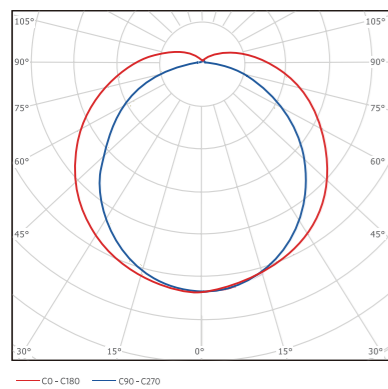
Item		Single Box(1pc/box)		outer carton		
Item Code	Item Description	Dimensions(mm) (LxWxH)	Gross Weight (kg)	Dimensions(mm) (LxWxH)	Gross Weight (kg)	Packing Qty (pcs/unit)
140065110	LEDWaterproof-U L 600-10W-4000-FR-GP-2	655*65*60	0.71	720*350*260	14.20	20
140065111	LEDWaterproof-U L 600-10W-6000-FR-GP-2	655*65*60	0.71	720*350*260	14.20	20
140065112	LEDWaterproof-U L 1200-20W-4000-FR-GP-2	1255*65*60	1.11	1320*350*260	22.20	20
140065113	LEDWaterproof-U L 1200-20W-6000-FR-GP-2	1255*65*60	1.11	1320*350*260	22.20	20
140065114	LEDWaterproof-U L 1500-24W-6000-FR-GP-2	1555*67*60	1.43	1620*283*140	11.40	8
140065115	LEDWaterproof-U L 1500-24W-4000-FR-GP-2	1555*67*60	1.43	1620*283*140	11.40	8
140065116	LEDWaterproof-U L 600-20W-4000-FR-GP-2	655*87*60	0.88	720*276*200	7.90	9
140065117	LEDWaterproof-U L 600-20W-6000-FR-GP-2	655*87*60	0.88	720*276*200	7.90	9
140065118	LEDWaterproof-U L 1200-40W-4000-FR-GP-2	1255*87*60	1.40	1320*276*200	12.60	9
140065119	LEDWaterproof-U L 1200-40W-6000-FR-GP-2	1255*87*60	1.40	1320*276*200	12.60	9
140065120	LEDWaterproof-U L 1500-48W-4000-FR-GP-2	1555*87*60	1.83	1620*276*140	11.00	6
140065121	LEDWaterproof-U L 1500-48W-6000-FR-GP-2	1555*87*60	1.83	1620*276*140	11.00	6

## Dimensional Drawing



Model	L (mm)	W (mm)	H (mm)	X (mm)
LED WP-U 600-10W	630	60	56	400
LED WP-U 1200-20W	1230	60	56	750
LED WP-U 1500-24W	1530	60	56	1200
LED WP-U 600-20W	630	80	56	400
LED WP-U 1200-40W	1230	80	56	750
LED WP-U 1500-48W	1530	80	56	1200

## Photometric Data



LED Bulkhead EcoMax

## Features

- Up to 100lm/W, 30Khrs lifespan
- IP65 protection rating, IK08 anti-shock rating
- Surge protection up to 2.5KV

## Benefits

- Outstanding waterproof design, adaptable in rough environment
- Up to 90% energy saving comparing to conventional wall lamp
- Impact resistant, long life, low maintenance cost

## Application



## Specification

Item Code	Item Description	Power (W)	Power Factor	Lumen (lm)	Efficacy (lm/W)	Input Current (mA)	Lifetime (L70B50)	MOQ (pcs)
543022000310	LED bulkhead-E 6.5W-3000-FR-GP	6.5	0.9	553	85	33	30000	1000
543022000410	LED bulkhead-E 6.5W-4000-FR-GP	6.5	0.9	650	100	33	30000	1000
543022000510	LED bulkhead-E 6.5W-6500-FR-GP	6.5	0.9	650	100	33	30000	1000
543022000610	LED bulkhead-E 13W-3000-FR-GP	13	0.9	1105	85	66	30000	1000
543022000710	LED bulkhead-E 13W-4000-FR-GP	13	0.9	1300	100	66	30000	1000
543022000810	LED bulkhead-E 13W-6500-FR-GP	13	0.9	1300	100	66	30000	1000

### Technical Specifications

CRI	≥ 80
Colour Consistency (SDCM)	6
Dimmable	No
Housing Colour	Grey
IP	IP65
IK	IK08
Driver integrated (Yes/No)	Yes
Glow wire test	650°C
Driver failure rate	1% at 5000h
Weight (kg/pc)	0.24/0.29

### Electrical Supply

Frequency (Hz)	50/60
Voltage (V)	220-240
AC / DC	AC

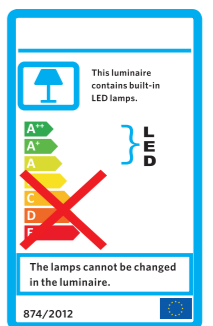
### Mechanical Properties

Housing Material	PC
Optical Material	PC

### Application Conditions

Application Temperature	-25-45°C
Storage Environment	-25-65°C

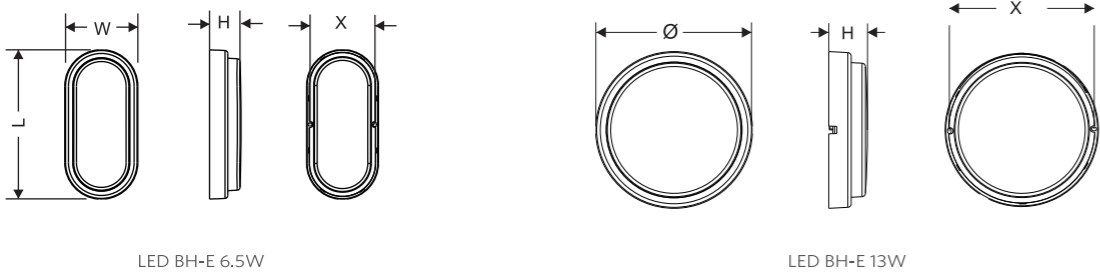
CB



Packaging Information

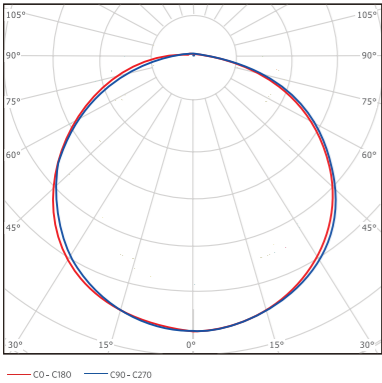
Item		Single Box(1pc/box)		Packaging Unit		
Item Code	Item Description	Dimensions(mm) (LxWxH)	Gross Weight (kg)	Dimensions(mm) (LxWxH)	Gross Weight (kg)	Packing Qty (pcs/unit)
543022000310	LED bulkhead-E 6.5W-3000-FR-GP	210*105*51	0.28	695*330*275	12.78	45
543022000410	LED bulkhead-E 6.5W-4000-FR-GP	210*105*51	0.28	695*330*275	12.78	45
543022000510	LED bulkhead-E 6.5W-6500-FR-GP	210*105*51	0.28	695*330*275	12.78	45
543022000610	LED bulkhead-E 13W-3000-FR-GP	180*180*51	0.34	965*375*275	16.75	50
543022000710	LED bulkhead-E 13W-4000-FR-GP	180*180*51	0.34	965*375*275	16.75	50
543022000810	LED bulkhead-E 13W-6500-FR-GP	180*180*51	0.34	965*375*275	16.75	50

Dimensional Drawing



Model	L (mm)	W (mm)	Ø (mm)	H (mm)	X (mm)
LED BH-E 6.5W	205	100	/	43	88
LED BH-E 13W	/	/	Φ175	43	160

Photometric Data





# OPPLE LED OUTDOOR LIGHTING





## LED Streetlight Performer

### Features

- Optimized light distribution
- High lumen output, anti-glare
- Lightweight, 5.9Kg design for 60W
- Surge protection up to 10 kV

### Benefits

- Illuminate different sized roads and accommodate different lamppost layouts
- No dark spaces, luminaires won't blind drivers
- Easy to install, can be secured to any lamppost
- Safe for outdoor use, weather resistant

### Application

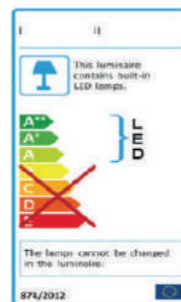


### Specification

Item Code	Item Description	Power (W)	Power Factor	Lumen (lm)	Efficacy (lm/W)	Input Current (mA)	Beam Angle (°)	CRI	CCT (K)	Lifetime (L70B50)	MOQ (pcs)
140050654	LEDStreetlight-P 60W-3000-120D-GY-GP	60	0.95	5700	95	290	120	≥80	3000	50000	100
140050655	LEDStreetlight-P 60W-4000-120D-GY-GP	60	0.95	5820	97	290	120	≥75	4000	50000	100
140050656	LEDStreetlight-P 60W-5000-120D-GY-GP	60	0.95	6000	100	290	120	≥70	5000	50000	100
140050657	LEDStreetlight-P 100W-3000-120D-GY-GP	100	0.95	9500	95	480	120	≥80	3000	50000	100
140050658	LEDStreetlight-P 100W-4000-120D-GY-GP	100	0.95	9700	97	480	120	≥75	4000	50000	100
140050659	LEDStreetlight-P 100W-5000-120D-GY-GP	100	0.95	10000	100	480	120	≥70	5000	50000	100
140050660	LEDStreetlight-P 120W-3000-120D-GY-GP	120	0.98	11400	95	580	120	≥80	3000	50000	100
140050661	LEDStreetlight-P 120W-4000-120D-GY-GP	120	0.98	11640	97	580	120	≥75	4000	50000	100
140050662	LEDStreetlight-P 120W-5000-120D-GY-GP	120	0.98	12000	100	580	120	≥70	5000	50000	100
140050663	LEDStreetlight-P 150W-3000-120D-GY-GP	150	0.98	14250	95	720	120	≥80	3000	50000	100
140050664	LEDStreetlight-P 150W-4000-120D-GY-GP	150	0.98	14550	97	720	120	≥75	4000	50000	100
140050665	LEDStreetlight-P 150W-5000-120D-GY-GP	150	0.98	15000	100	720	120	≥70	5000	50000	100
140050666	LEDStreetlight-P 200W-3000-120D-GY-GP	200	0.98	19000	95	960	120	≥80	3000	50000	100
140050667	LEDStreetlight-P 200W-4000-120D-GY-GP	200	0.98	19500	97	960	120	≥75	4000	50000	100
140050668	LEDStreetlight-P 200W-5000-120D-GY-GP	200	0.98	20000	100	960	120	≥70	5000	50000	100

Technical Specifications	
On / Off Cycles	50,000
Colour Consistency (SDCM)	5
Dimmable	No
Finishing Colour	Grey
IP	66
IK	08
Driver Integrated (Yes/No)	Yes
Glow Wire Test	650°C
Driver Failure Rate	1% at 5000h
Weight (kg/pc)	5.9/5.9/7.5/7.5/9.4

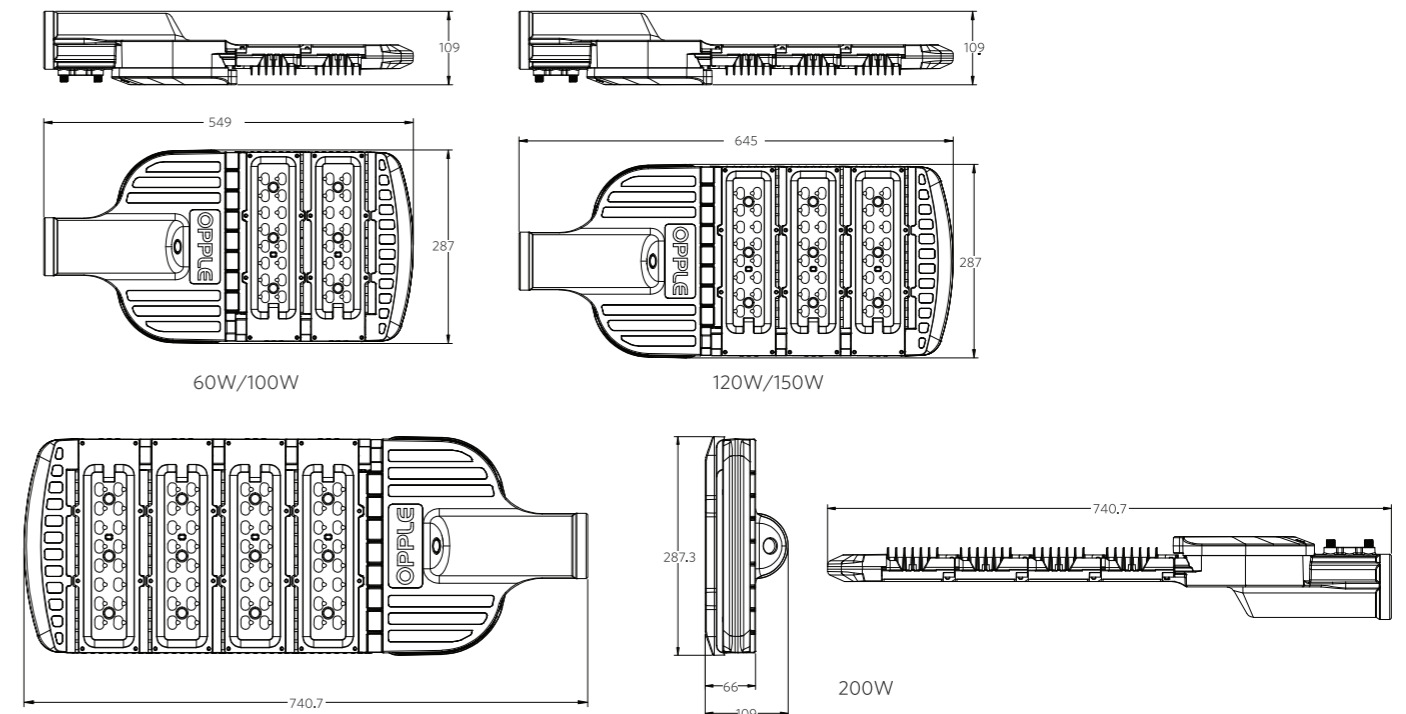
Electrical Supply	
Frequency (Hz)	50 / 60
Voltage (V)	220-240
AC/DC	AC
Mechanical Properties	
Housing Material	Die cast Aluminium
Optical Material	PC
Application Conditions	
Operating Temperature	-30-50°C
Application Temperature	45°C
Storage Environment	-40-60°C



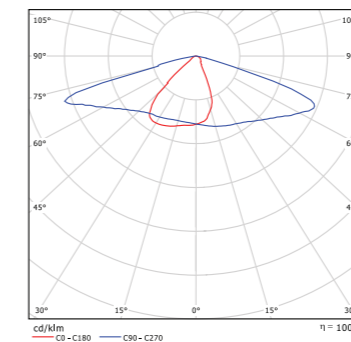
### Packaging Information

Item		Packaging Unit(1pc/unit)	
Item Code	Item Description	Dimensions(mm) (LxWxH)	Gross Weight (kg)
140050654	LEDStreetlight-P 60W-3000-120D-GY-GP	640x340x172	6.40
140050655	LEDStreetlight-P 60W-4000-120D-GY-GP	640x340x172	6.40
140050656	LEDStreetlight-P 60W-5000-120D-GY-GP	640x340x172	6.40
140050657	LEDStreetlight-P 100W-3000-120D-GY-GP	640x340x172	6.40
140050658	LEDStreetlight-P 100W-4000-120D-GY-GP	640x340x172	6.40
140050659	LEDStreetlight-P 100W-5000-120D-GY-GP	640x340x172	6.40
140050660	LEDStreetlight-P 120W-3000-120D-GY-GP	737x340x172	8.00
140050661	LEDStreetlight-P 120W-4000-120D-GY-GP	737x340x172	8.00
140050662	LEDStreetlight-P 120W-5000-120D-GY-GP	737x340x172	8.00
140050663	LEDStreetlight-P 150W-3000-120D-GY-GP	737x340x172	8.00
140050664	LEDStreetlight-P 150W-4000-120D-GY-GP	737x340x172	8.00
140050665	LEDStreetlight-P 150W-5000-120D-GY-GP	737x340x172	8.00
140050666	LEDStreetlight-P 200W-3000-120D-GY-GP	947x365x167	11.00
140050667	LEDStreetlight-P 200W-4000-120D-GY-GP	947x365x167	11.00
140050668	LEDStreetlight-P 200W-5000-120D-GY-GP	947x365x167	11.00

### Dimensional Drawing



### Photometric Data



120°(60W/100W/120W/150W/200W)



## LED Streetlight PQ Series

### Features

- Optimal heat management
- High lumen output, anti-glare
- IP66 protection rating
- Anti-shock IK08, 3G vibration endurance
- Surge protection up to 6/10KV(≥100W) and 4KV(≤60W)

### Benefits

- No dark spaces, excellent lighting effect
- Safe for outdoor use, weather resistant
- Up to 60% energy savings compared to HPS streetlight
- Long life, low maintenance cost

### Application



### Specification

Item Code	Item Description	Power (W)	Power Factor	Lumen (lm)	Efficacy (lm/W)	CCT	Lifetime (L70B50)	MOQ (pcs)
140065696	LED Streetlight-PQ 30W-3000-GY-GP	30	0.95	3000	100	3000	50000	100
140065697	LED Streetlight-PQ 30W-4000-GY-GP	30	0.95	3150	105	4000	50000	100
140065698	LED Streetlight-PQ 30W-5700-GY-GP	30	0.95	3300	110	5700	50000	100
140065699	LED Streetlight-PQ 60W-3000-GY-GP	60	0.95	6000	100	3000	50000	100
140065700	LED Streetlight-PQ 60W-4000-GY-GP	60	0.95	6300	105	4000	50000	100
140065701	LED Streetlight-PQ 60W-5700-GY-GP	60	0.95	6600	110	5700	50000	100
140063309	LEDStreetlight-PQ 100W-3000-LG-GP	100	0.95	11500	115	3000	50000	100
140063310	LEDStreetlight-PQ 100W-4000-LG-GP	100	0.95	11700	117	4000	50000	100
140063312	LEDStreetlight-PQ 100W-5700-LG-GP	100	0.95	12000	120	5700	50000	100
140063313	LEDStreetlight-PQ 120W-3000-LG-GP	120	0.95	13200	110	3000	50000	100
140063314	LEDStreetlight-PQ 120W-4000-LG-GP	120	0.95	13800	115	4000	50000	100
140063316	LEDStreetlight-PQ 120W-5700-LG-GP	120	0.95	14400	120	5700	50000	100
140063317	LEDStreetlight-PQ 150W-3000-LG-GP	150	0.95	15000	100	3000	50000	100
140063318	LEDStreetlight-PQ 150W-4000-LG-GP	150	0.95	15750	105	4000	50000	100
140063320	LEDStreetlight-PQ 150W-5700-LG-GP	150	0.95	16500	110	5700	50000	100

Technical Specifications	
CRI	≥70
Colour Consistency (SDCM)	6
Dimmable	No
Housing Colour	Light Grey
IP	IP66
IK	IK08
Driver integrated (Yes/No)	Yes
Glow Wire Test	650°C
Weight (kg/pc)	1.77/1.77/3.15/3.15/3.15

Electrical Supply	
Frequency (Hz)	50 / 60
Voltage (V)	220-240
AC / DC	AC
Mechanical Properties	
Housing Material	Die-cast Aluminium
Optical Material	PC
Application Conditions	
Operating Temperature	-30-50°C
Storage Environment	-30- 65°C

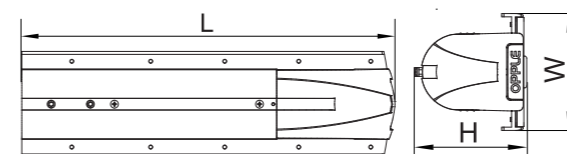
CB



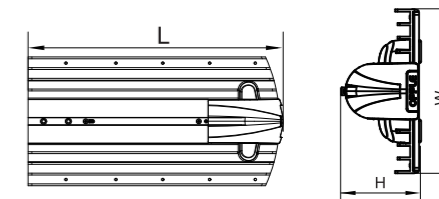
### Packaging Information

Item Code	Item Description	Single Box(1pc/box)		Packaging Unit		
		Dimensions(mm) (LxWxH)	Gross Weight (kg)	Dimensions(mm) (LxWxH)	Gross Weight (kg)	Packing Qty (pcs/unit)
140065696	LED Streetlight-PQ 30W-3000-GY-GP	135*124*421	2.12	435*287*272	8.48	4
140065697	LED Streetlight-PQ 30W-4000-GY-GP	135*124*421	2.12	435*287*272	8.48	4
140065698	LED Streetlight-PQ 30W-5700-GY-GP	135*124*421	2.12	435*287*272	8.48	4
140065699	LED Streetlight-PQ 60W-3000-GY-GP	135*124*421	2.12	435*287*272	8.48	4
140065700	LED Streetlight-PQ 60W-4000-GY-GP	135*124*421	2.12	435*287*272	8.48	4
140065701	LED Streetlight-PQ 60W-5700-GY-GP	135*124*421	2.12	435*287*272	8.48	4
140063309	LEDStreetlight-PQ 100W-3000-LG-GP	470*255*130	3.89	485*270*290	7.78	2
140063310	LEDStreetlight-PQ 100W-4000-LG-GP	470*255*130	3.89	485*270*290	7.78	2
140063312	LEDStreetlight-PQ 100W-5700-LG-GP	470*255*130	3.89	485*270*290	7.78	2
140063313	LEDStreetlight-PQ 120W-3000-LG-GP	470*255*130	3.89	485*270*290	7.78	2
140063314	LEDStreetlight-PQ 120W-4000-LG-GP	470*255*130	3.89	485*270*290	7.78	2
140063316	LEDStreetlight-PQ 120W-5700-LG-GP	470*255*130	3.89	485*270*290	7.78	2
140063317	LEDStreetlight-PQ 150W-3000-LG-GP	470*255*130	3.89	485*270*290	7.78	2
140063318	LEDStreetlight-PQ 150W-4000-LG-GP	470*255*130	3.89	485*270*290	7.78	2
140063320	LEDStreetlight-PQ 150W-5700-LG-GP	470*255*130	3.89	485*270*290	7.78	2

### Dimensional Drawing



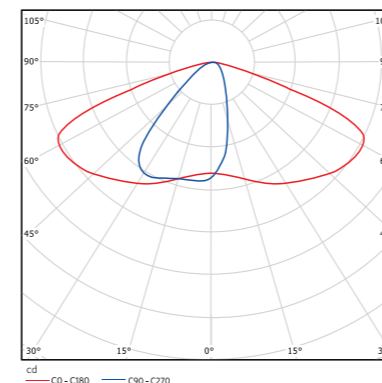
30W&60W



100W&120W&150W

Model	L(mm)	W(mm)	H(mm)
LED SL-PQ 30W	382	107	100
LED SL-PQ 60W	382	107	100
LED SL-PQ 100W	411	208	95
LED SL-PQ 120W	411	208	95
LED SL-PQ 150W	411	208	95

### Photometric Data



150°±70°



## LED Streetlight EQ Series

### Features

- Wide applicable voltage
- Surge protection up to 6KV(60W)
- Optimal heat management
- High lumen output, anti-glare
- IP65 protection rating

### Benefits

- No dark spaces, excellent light effect
- Safe for outdoor use, weather resistant
- Up to 60% energy saving comparing to HPS streetlight
- Long life, low maintenance cost

### Application



### Specification

Item Code	Item Description	Power (W)	Power Factor	Lumen (lm)	Efficacy (lm/W)	CCT (K)	Lifetime (L70B50)	MOQ (pcs)
140058466	LEDStreetlight-EQ 20W-3000-150+70D-GY-GP	20	0.95	1840	92	3000	30000	102
140058467	LEDStreetlight-EQ 20W-4000-150+70D-GY-GP	20	0.95	1960	98	4000	30000	102
140058462	LEDStreetlight-EQ 20W-5700-150+70D-GY-GP	20	0.95	2000	100	5700	30000	102
140058463	LEDStreetlight-EQ 40W-3000-150+70D-GY-GP	40	0.95	3680	92	3000	30000	102
140058465	LEDStreetlight-EQ 40W-4000-150+70D-GY-GP	40	0.95	3920	98	4000	30000	102
140058464	LEDStreetlight-EQ 40W-5700-150+70D-GY-GP	40	0.95	4000	100	5700	30000	102
140066457	LEDStreetlight-EQ 60W-3000-150+70D-GY-GP	60	0.95	7000	117	3000	30000	102
140066458	LEDStreetlight-EQ 60W-4000-150+70D-GY-GP	60	0.95	7000	117	4000	30000	102
140066459	LEDStreetlight-EQ 60W-5700-150+70D-GY-GP	60	0.95	7500	125	5700	30000	102

#### Technical Specifications

CRI	≥80(20&40W)/≥70(60W)
Colour Consistency (SDCM)	7
Dimmable	No
Beam Angle (°)	150+70°
Housing Colour	Grey
IP	IP65
Driver integrated (Yes/No)	Yes
Glow wire test	650°C
Weight (kg/pc)	1.222

#### Electrical Supply

Frequency (Hz)	50 / 60
Voltage (V)	220-240
AC / DC	AC

#### Mechanical Properties

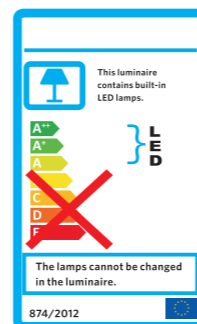
Housing Material	Die-casting Aluminum
Optical Material	PC

#### Application Conditions

Operating Temperature	-35-50°C
Storage Environment	-35-65°C

### Certification

CB

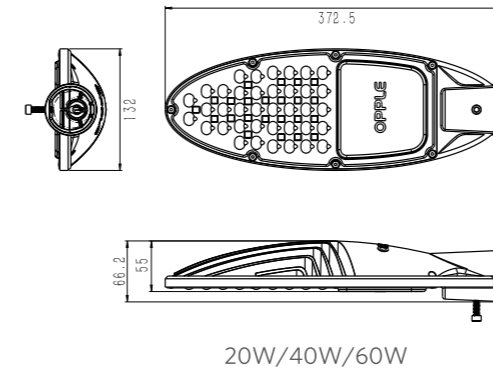


### Packaging Information

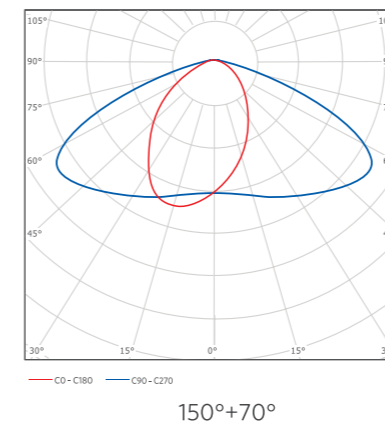
Item Code	Item Description	Single Box(1pc/box)		Packaging Unit		
		Dimensions(mm) (LxWxH)	Gross Weight (kg)	Dimensions(mm) (LxWxH)	Gross Weight (kg)	Packing Qty (pcs/unit)
140058466	LEDStreetlight-EQ 20W-3000-150+70D-GY-GP	391*140*86	1.49	414*302*282	8.96	6
140058467	LEDStreetlight-EQ 20W-4000-150+70D-GY-GP	391*140*86	1.49	414*302*282	8.96	6
140058462	LEDStreetlight-EQ 20W-5700-150+70D-GY-GP	391*140*86	1.49	414*302*282	8.96	6
140058463	LEDStreetlight-EQ 40W-3000-150+70D-GY-GP	391*140*86	1.49	414*302*282	8.96	6
140058465	LEDStreetlight-EQ 40W-4000-150+70D-GY-GP	391*140*86	1.49	414*302*282	8.96	6
140058464	LEDStreetlight-EQ 40W-5700-150+70D-GY-GP	391*140*86	1.49	414*302*282	8.96	6
140066457	LEDStreetlight-EQ 60W-3000-150+70D-GY-GP	391*140*86	1.49	414*302*282	8.96	6
140066458	LEDStreetlight-EQ 60W-4000-150+70D-GY-GP	391*140*86	1.49	414*302*282	8.96	6
140066459	LEDStreetlight-EQ 60W-5700-150+70D-GY-GP	391*140*86	1.49	414*302*282	8.96	6

Item Code	Accessories	Weight(kg/pc)	MOQ(pcs)	Picture
543098000710	streetlight wall-mounting accessory	1.77	150	
543098001100	LEDStreet-SE-Wall-Bracket	0.90	150	

### Dimensional Drawing



### Photometric Data





## LED Floodlight Performer Mini

### Features

- Slimmest & most compact design
- Aluminum die-cast housing with integrated driver
- IP 67, IK 08, Up to 80lm/W

### Benefits

- Modern aesthetic appearance. Even smaller & lighter than Ipad Mini.
- All in one cast housing ensures less risk of IP failure.
- Robust & high performance suitable for outdoor lighting.

### Application



### Specification

Item Code	Item Description	Power (W)	Power Factor	Lumen (lm)	Efficacy (lm/W)	Beam Angle (°)	CRI	Rated Current (mA)	CCT (K)	Lifetime (L70B50)	MOQ (pcs)
140055429	LED floodlight-P 10W-3000K-GY-GP	10	0.98	800	80	110	>80	49	3000	25Khrs	100
140055430	LED floodlight-P 10W-4000K-GY-GP	10	0.98	800	80	110	>80	49	4000	25Khrs	100
140055431	LED floodlight-P 10W-6500K-GY-GP	10	0.98	800	80	110	>80	49	6500	25Khrs	100
140055432	LED floodlight-P 10W-3000K-BK-GP	10	0.98	800	80	110	>80	49	3000	25Khrs	100
140055433	LED floodlight-P 10W-4000K-BK-GP	10	0.98	800	80	110	>80	49	4000	25Khrs	100
140055434	LED floodlight-P 10W-6500K-BK-GP	10	0.98	800	80	110	>80	49	6500	25Khrs	100
140055435	LED floodlight-P 20W-3000K-GY-GP	20	0.98	1600	80	110	>80	95	3000	25Khrs	100
140055436	LED floodlight-P 20W-4000K-GY-GP	20	0.98	1600	80	110	>80	95	4000	25Khrs	100
140055437	LED floodlight-P 20W-6500K-GY-GP	20	0.98	1600	80	110	>80	95	6500	25Khrs	100
140055438	LED floodlight-P 20W-3000K-BK-GP	20	0.98	1600	80	110	>80	95	3000	25Khrs	100
140055439	LED floodlight-P 20W-4000K-BK-GP	20	0.98	1600	80	110	>80	95	4000	25Khrs	100
140055440	LED floodlight-P 20W-6500K-BK-GP	20	0.98	1600	80	110	>80	95	6500	25Khrs	100

#### Technical Specifications

On / Off Cycles	50,000
Colour Consistency (SDCM)	6
Dimmable	No
Beam Angle (°)	110
Finishing Colour	Grey/Black
IP	67
Driver Integrated (Yes/No)	Yes
Glow Wire Test	650°C
Driver Failure Rate	1% at 5000h
Weight (kg/pc)	0.47

#### Electrical Supply

Frequency (Hz)	50/60
Voltage (V)	220-240
AC/DC	AC

#### Mechanical Properties

Housing Material	Aluminum
Optical Material	Milky Glass

#### Application Conditions

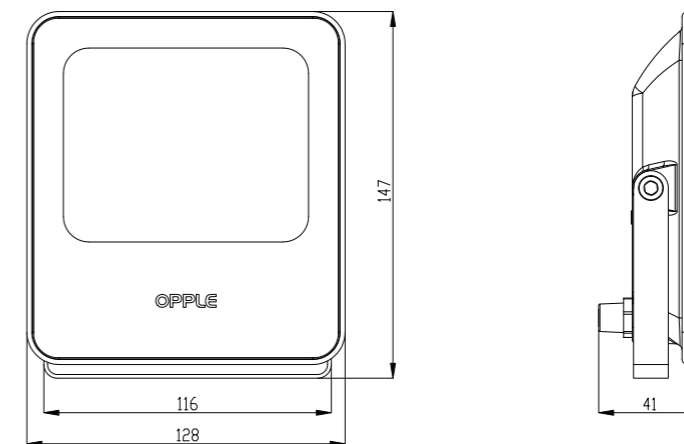
Operating Temperature	-10-45°C
Application Temperature	25°C
Storage Environment	-25-50°C



### Packaging Information

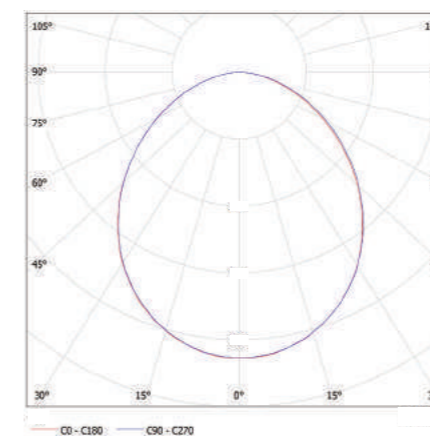
Item Code	Item Description	Single Box(1pc/box)		Packaging Unit		
		Dimensions(mm) (LxWxH)	Gross Weight (kg)	Dimensions(mm) (LxWxH)	Gross Weight (kg)	Packing Qty (pcs/unit)
140055429	LED floodlight-P 10W-3000K-GY-GP	184*168*78	0.56	386*344*190	2.47	8
140055430	LED floodlight-P 10W-4000K-GY-GP	184*168*78	0.56	386*344*190	2.47	8
140055431	LED floodlight-P 10W-6500K-GY-GP	184*168*78	0.56	386*344*190	2.47	8
140055432	LED floodlight-P 10W-3000K-BK-GP	184*168*78	0.56	386*344*190	2.47	8
140055433	LED floodlight-P 10W-4000K-BK-GP	184*168*78	0.56	386*344*190	2.47	8
140055434	LED floodlight-P 10W-6500K-BK-GP	184*168*78	0.56	386*344*190	2.47	8
140055435	LED floodlight-P 20W-3000K-GY-GP	184*168*78	0.56	386*344*190	2.47	8
140055436	LED floodlight-P 20W-4000K-GY-GP	184*168*78	0.56	386*344*190	2.47	8
140055437	LED floodlight-P 20W-6500K-GY-GP	184*168*78	0.56	386*344*190	2.47	8
140055438	LED floodlight-P 20W-3000K-BK-GP	184*168*78	0.56	386*344*190	2.47	8
140055439	LED floodlight-P 20W-4000K-BK-GP	184*168*78	0.56	386*344*190	2.47	8
140055440	LED floodlight-P 20W-6500K-BK-GP	184*168*78	0.56	386*344*190	2.47	8

### Dimensional Drawing



10W/20W

### Photometric Data



10W/20W



## LED Floodlight EcoMax II

### Features

- Slim & Compact design
- Robust housing and refined finish coating
- 50% lower energy consumption and longer lifespan(30Khrs)
- IP65,IK08,up to 80lm/W

### Benefits

- Vibration-proof, Wind -proof, Rust-proof
- Excellent thermal management for stable performance
- Long life, low maintenance cost
- Adaptable installation

### Application



### Specification

Item Code	Item Description	Power (W)	Power Factor	Lumen (lm)	Efficacy (lm/W)	Input Current (mA)	Lifetime (L70B50)	MOQ (pcs)
140059516	LED floodlight-E II 30W-3000-GY-GP	30	0.95	2400	80	130	30000	108
140059517	LED floodlight-E II 30W-4000-GY-GP	30	0.95	2450	82	130	30000	108
140059518	LED floodlight-E II 30W-6000-GY-GP	30	0.95	2500	83	130	30000	108
140059519	LED floodlight-E II 50W-3000-GY-GP	50	0.95	4000	80	210	30000	108
140059520	LED floodlight-E II 50W-4000-GY-GP	50	0.95	4100	82	210	30000	108
140059521	LED floodlight-E II 50W-6000-GY-GP	50	0.95	4200	84	210	30000	108
140059619	LED floodlight-E II 70W-3000-GY-GP	70	0.95	5800	83	300	30000	108
140059620	LED floodlight-E II 70W-4000-GY-GP	70	0.95	5900	84	300	30000	108
140059621	LED floodlight-E II 70W-6000-GY-GP	70	0.95	6000	86	300	30000	108
140059622	LED floodlight-E II 100W-3000-GY-GP	100	0.95	9200	92	430	30000	108
140059623	LED floodlight-E II 100W-4000-GY-GP	100	0.95	9300	93	430	30000	108
140059624	LED floodlight-E II 100W-6000-GY-GP	100	0.95	9400	94	430	30000	108

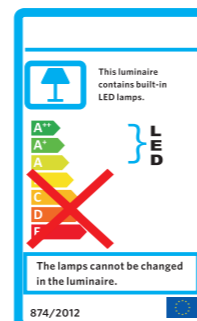
Technical Specifications	
CRI	≥80
Colour Consistency (SDCM)	6
Dimmable	No
Housing Colour	Grey
IP	IP65
IK	IK08
Driver integrated (Yes/No)	Yes
Glow wire test	650°C
Weight (kg/pc)	0.51 / 0.81 / 1.34 / 1.98

Electrical Supply	
Frequency (Hz)	50/60
Voltage (V)	220-240
AC / DC	AC

Mechanical Properties	
Housing Material	Die-cast Aluminium
Optical Material	PC

Application Conditions	
Operating Temperature	-30-50°C
Storage Environment	-30-65°C

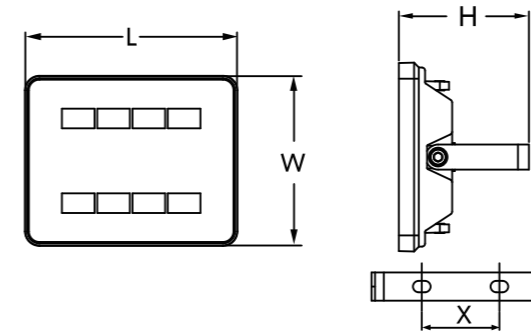
CB



### Packaging Information

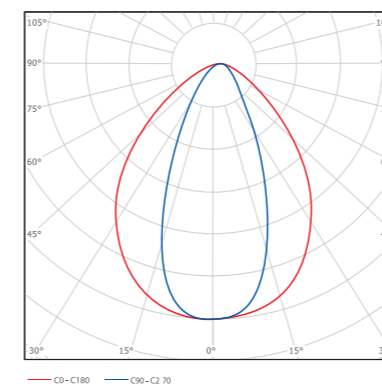
Item Code	Item Description	Single Box(1pc/box)		Packaging Unit		
		Dimensions(mm) (LxWxH)	Gross Weight (kg)	Dimensions(mm) (LxWxH)	Gross Weight (kg)	Packing Qty (pcs/unit)
140059516	LED floodlight-E II 30W-3000-GY-GP	155*125*82	0.63	400*330*266	11.34	18
140059517	LED floodlight-E II 30W-4000-GY-GP	155*125*82	0.63	400*330*266	11.34	18
140059518	LED floodlight-E II 30W-6000-GY-GP	155*125*82	0.63	400*330*266	11.34	18
140059519	LED floodlight-E II 50W-3000-GY-GP	205*145*82	0.97	430*310*266	11.64	12
140059520	LED floodlight-E II 50W-4000-GY-GP	205*145*82	0.97	430*310*266	11.64	12
140059521	LED floodlight-E II 50W-6000-GY-GP	205*145*82	0.97	430*310*266	11.64	12
140059619	LED floodlight-E II 70W-3000-GY-GP	275*205*98	1.68	430*290*324	10.10	6
140059620	LED floodlight-E II 70W-4000-GY-GP	275*205*98	1.68	430*290*324	10.10	6
140059621	LED floodlight-E II 70W-6000-GY-GP	275*205*98	1.68	430*290*324	10.10	6
140059622	LED floodlight-E II 100W-3000-GY-GP	305*245*98	2.39	510*320*324	14.35	6
140059623	LED floodlight-E II 100W-4000-GY-GP	305*245*98	2.39	510*320*324	14.35	6
140059624	LED floodlight-E II 100W-6000-GY-GP	305*245*98	2.39	510*320*324	14.35	6

### Dimensional Drawing



Model	L (mm)	W (mm)	H (mm)	X (mm)
LED FL-E 30W	150	120	83	44
LED FL-E 50W	200	140	99	60
LED FL-E 70W	250	180	120	60
LED FL-E 100W	280	220	135	80

### Photometric Data



40°+80°(30W/50W/70W/100W)





## LED Floodlight EcoMax H

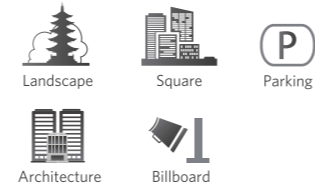
### Features

- Slim & Compact design
- Robust housing and refined finish coating
- 50% lower energy consumption and longer lifespan(30Khrs)
- IP65,IK08,up to 100lm/W

### Benefits

- Vibration-proof, Wind -proof, Rust-proof
- Excellent thermal management for stable performance
- Long life, low maintenance cost
- Adaptable installation

### Application



### Specification

Item Code	Item Description	Power (W)	Power Factor	Lumen (lm)	Efficacy (lm/W)	Input Current (mA)	Lifetime (L70B50)	MOQ (pcs)
140064725	LED Floodlight-E II 150W-3000-60D-GY-GP	150	0.95	13650	91	686	30000	100
140064731	LED Floodlight-E II 150W-3000-72+28D-GY	150	0.95	13650	91	686	30000	100
140064726	LED Floodlight-E II 150W-4000-60D-GY-GP	150	0.95	14400	96	686	30000	100
140064732	LED Floodlight-E II 150W-4000-72+28D-GY	150	0.95	14400	96	686	30000	100
140064727	LED Floodlight-E II 150W-5700-60D-GY-GP	150	0.95	15000	100	686	30000	100
140064733	LED Floodlight-E II 150W-5700-72+28D-GY	150	0.95	15000	100	686	30000	100
140064728	LED Floodlight-E II 200W-3000-60D-GY-GP	200	0.95	18200	91	915	30000	100
140064734	LED Floodlight-E II 200W-3000-72+28D-GY	200	0.95	18200	91	915	30000	100
140064729	LED Floodlight-E II 200W-4000-60D-GY-GP	200	0.95	19200	96	915	30000	100
140064735	LED Floodlight-E II 200W-4000-72+28D-GY	200	0.95	19200	96	915	30000	100
140064730	LED Floodlight-E II 200W-5700-60D-GY-GP	200	0.95	19500	100	915	30000	100
140064736	LED Floodlight-E II 200W-5700-72+28D-GY	200	0.95	19500	100	915	30000	100

#### Technical Specifications

CRI	≥80
Colour Consistency (SDCM)	6
Dimmable	No
Housing Colour	Grey
IP	IP65
IK	IK08
Driver integrated (Yes/No)	Yes
Glow wire test	650°C
Weight (kg/pc)	4.06/5.01

#### Electrical Supply

Frequency (Hz)	50/60
Voltage (V)	220-240
AC / DC	AC

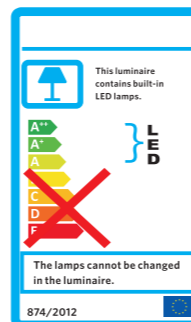
#### Mechanical Properties

Housing Material	Die-cast Aluminium
Optical Material	PC

#### Application Conditions

Operating Temperature	-30-50°C
Storage Environment	-30-65°C

CB



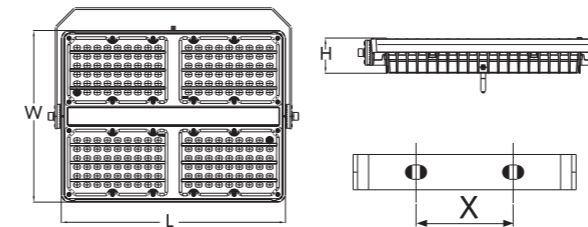
### Packaging Information

Item Code	Item Description	Single Box(1pc/box)		Packaging Unit		
		Dimensions(mm) (LxWxH)	Gross Weight (kg)	Dimensions(mm) (LxWxH)	Gross Weight (kg)	Packing Qty (pcs/unit)
140064725	LED Floodlight-E II 150W-3000-60D-GY-GP	338*65*415	4.55	432*290*362	18.19	4
140064731	LED Floodlight-E II 150W-3000-72+28D-GY	338*65*415	4.55	432*290*362	18.19	4
140064726	LED Floodlight-E II 150W-4000-60D-GY-GP	338*65*415	4.55	432*290*362	18.19	4
140064732	LED Floodlight-E II 150W-4000-72+28D-GY	338*65*415	4.55	432*290*362	18.19	4
140064727	LED Floodlight-E II 150W-5700-60D-GY-GP	338*65*415	4.55	432*290*362	18.19	4
140064733	LED Floodlight-E II 150W-5700-72+28D-GY	338*65*415	4.55	432*290*362	18.19	4
140064728	LED Floodlight-E II 200W-3000-60D-GY-GP	382*65*460	5.64	480*290*406	22.54	4
140064734	LED Floodlight-E II 200W-3000-72+28D-GY	382*65*460	5.64	480*290*406	22.54	4
140064729	LED Floodlight-E II 200W-4000-60D-GY-GP	382*65*460	5.64	480*290*406	22.54	4
140064735	LED Floodlight-E II 200W-4000-72+28D-GY	382*65*460	5.64	480*290*406	22.54	4
140064730	LED Floodlight-E II 200W-5700-60D-GY-GP	382*65*460	5.64	480*290*406	22.54	4
140064736	LED Floodlight-E II 200W-5700-72+28D-GY	382*65*460	5.64	480*290*406	22.54	4



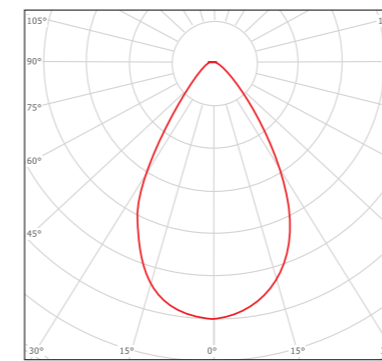
Item Code	Accessories	Weight (kg/pc)	Packing Qty (pcs)	MOQ (pcs)	Picture
543098001610	Floodlight Ecomax 2x150W bracket	4.00	1	150	
543098001710	Floodlight Ecomax 2x200W bracket	4.50	1	150	

### Dimensional Drawing

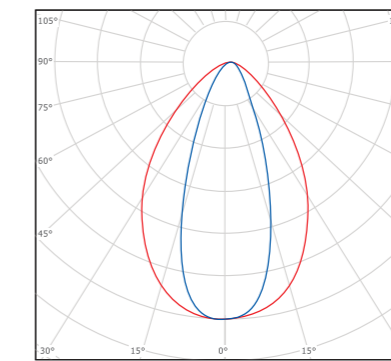


Model	L (mm)	W (mm)	H (mm)	X (mm)
LED FL-E 150W	342	257	59	180
LED FL-E 200W	376	288	59	200

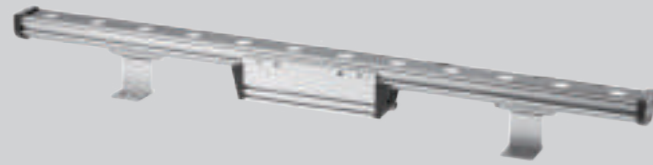
### Photometric Data



60° (150W/200W)



72°+28° (150W/200W)



## LED Outdoor Wall Washer Performer

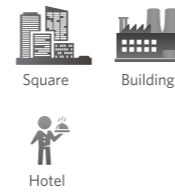
### Features

- IP66 protection rating
- Patented partial lighting 10°+40° beam angle lens design
- Die cast aluminum heat sink with anti-rust (anodic oxidation) surface finish

### Benefits

- Water- and dustproof, suitable for outdoor use
- Focuses light for precise wall washing up to 8 meters
- Strong, durable and refined design

### Application



### Specification

Item Code	Item Description	Power (W)	Power Factor	Lumen (lm)	Efficacy (lm/W)	Input Current (mA)	CRI	CCT (K)	Lifetime (L70B50)	MOQ (pcs)
140048096	LEDWallwasher-P L1000-24W-AR-10+40D-GP	24	0.90	700	/	120	/	Amber	30Khrs	100
140048094	LEDWallwasher-P L1000-32W-3000-10+40D-GP	32	0.95	1700	55	150	>75	3000	30Khrs	100
140048095	LEDWallwasher-P L1000-32W-4000-10+40D-GP	32	0.95	1900	60	150	>75	4000	30Khrs	100

Technical Specifications	
On / Off Cycles	50,000
Colour Consistency (SDCM)	7
Dimmable	No
Beam Angle (°)	10+40
Finishing Colour	Black
IP	66
Driver Integrated (Yes/No)	Yes
Glow Wire Test	650°C
Driver Failure Rate	1% at 5000h
Weight (kg/pc)	3.86

Electrical Supply	
Frequency (Hz)	50/60
Voltage (V)	220-240
AC/DC	AC

Mechanical Properties	
Housing Material	Aluminum
Optical Material	PMMA

Application Conditions	
Operating Temperature	-40-45°C
Application Temperature	25°C
Storage Environment	-45-50°C

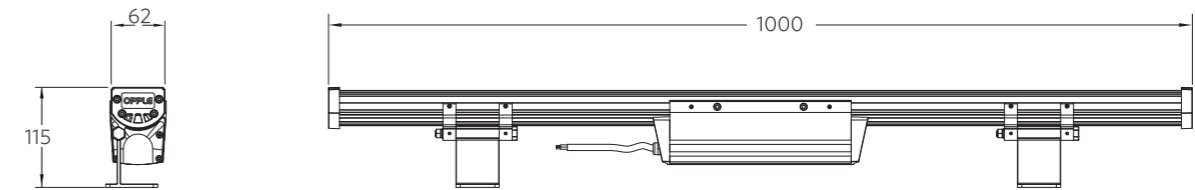
CE CB



### Packaging Information

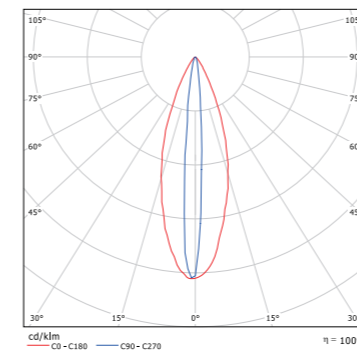
Item		Single Box(1pc/box)		Packaging Unit(4pcs/box)	
Item Code	Item Description	Dimensions(mm) (LxWxH)	Gross Weight (kg)	Dimensions(mm) (LxWxH)	Gross Weight (kg)
140048096	LEDWallwasher-P L1000-24W-AR-10+40D-GP	1030x100x125	4.67	1050x225x282	18.68
140048094	LEDWallwasher-P L1000-32W-3000-10+40D-GP	1030x100x125	4.67	1050x225x282	18.68
140048095	LEDWallwasher-P L1000-32W-4000-10+40D-GP	1030x100x125	4.67	1050x225x282	18.68

### Dimensional Drawing



24W/32W

### Photometric Data



10°+40°(24W/32W)